



Architectural Solutions Catalogue

Aesthetics, Efficiency & Quality

In this catalog, you will discover architectural lighting solutions combining aesthetics, flexibility and performance.

With advanced lighting technology, our products enhance architectural spaces and create comfortable environments.

+90 262 999 05 20

www.eaelighting.com

lighting@eaegroup.com

ARCHITECTURAL SOLUTIONS

EAE reserves the right to make any changes it deems necessary without prior notice.
Please contact for information about the products and details in the catalog.

Technical specifications have a tolerance of ± 10 .

For the most up-to-date information, please visit our website at
www.eaelighting.com

Spot Luminaires



14

DOWNLED V5



16

DOWNLED V5 IP65/IP20



18

DOWNLED IP65/IP65-20



19

DOWNLED V6



20

DOWNLED Ø190 NG YV/KR



21

DOWNLED Ø209/Ø157 NG



23

GIZA IP20/IP65/IP65-20



24

GIZA IP65/IP20



25

GIZA SLIM ADJ



26

GIZA L4



27

STORM ADJ



29

BRICK



30

BELLA



31

BELLA



32

ORI MICRO



34

ORI SMALL/SMALL DARK/
DARK IP65-20



36

ORI MINI YV/KR/IP20/IP65



38

ORI



39

LUP YV/KR



40

BISTA MINI ADJ YV/KR



41

PIXA SMALL YV/KR



42

PIXA MINI/MIDI/MAXI



43

BLADE



44

LORY FLAT
YV-KR IP65/IP65-20



45

DELTA
YV/KR/IP65/IP65-20



46

S-NAIL



47

KRIZA



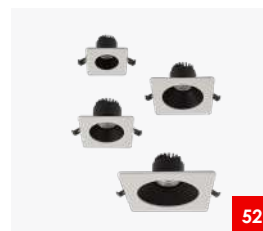
49

KRIZA MINI



51

PLANO 1X/2X



52

SQUARE



53

ROUND



55

BISTA ADJ
IP65/IP20 YV/KR



56

BISTA SBT YV/KR



58

S-NAIL MINI/MIDI/MAXI



59

VENO IP65



60

VENO



61

LUP KR/YV



62

ART ADJ



63

ART



64

ORION



65

SATURN V4



66

GLOP IP54



67

GLOP IP65



68

LEDBAR
SLIM/TRIGON 60-120



69

FLEXBAR

Semi Recessed Mounted Luminaires



75

VENO



76

BRICK



77

GIZA



78

GIZA SLIM ADJ



79

STORM ADJ



80

LUP



81

ART ADJ



82

ART

Surface Mounted Pendant Light Luminaires



87

ATLANTIS MAXI/MIDI



88

ATLANTIS MINI



89

VENO



90

LILI



92

LUP YV



93

STL FRAME RECTANGLE



95

STL FRAME SQUARE



97

RINOVA



98

NETA



99

NETA

Track Spot Luminaires



102

GIZA



103

STORM



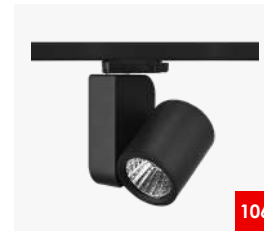
104

GIZA SLIM



105

OCTO



106

PICA



107

TACO MINI/MIDI/MAXI



108

OXI



109

ART

Magnetic Luminaires



113

MAGNETIC Ø55/Ø45



114

MAGNETIC OD



115

MAGNETIC LN



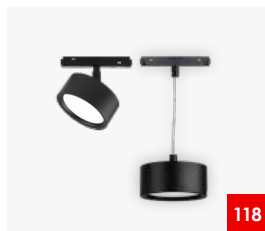
116

MAGNETIC OD ADJ



117

MAGNETIC LN ADJ



118

MAGNETIC Ø100 OD ADJ



119

MAGNETIC Ø42/Ø32 LN

Cell Ceiling Luminaires



123

LORY MESH



124

GIZA MESH



125

MIDDY MESH



126

ORI SMALL MESH



127

LUP KR MESH

Wall Mounted Luminaires



130

VENO



131

VENO DOUBLE SIDE



132

VENO IP65 YV/KR



134

ART



135

GIZA ASYMMETRIC



136

GIZA IP65/IP20

Office Luminaires



140

BLOOM



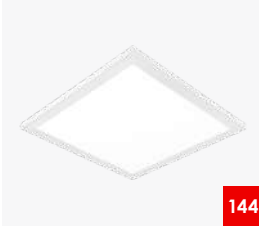
141

BLOOM-S NG



142

BLOOM IP65



144

Bloom V5



145

BLOOM STERIL IP65/IP40

Linear Trunking Luminaires



148

STL



150

STL DIRECT/INDIRECT



151

STL RECESSED MOUNTED



152

TORNADO



153

LINA NG



Landscaping Luminaires



156

CAPELLO BOLARD



157

CAPELLO BOLARD



158

TOWER BOLARD



159

TOWER



160

CARMELO BOLARD



161

CARMELO



162

CITY BOLARD



163

CITY L



164

CITY APLIK NG



165

CITY APLIK



166

CITY T



167

CITY F



168

BRIDGE BOLARD



169

BRIDGE



170

PB2



172

KRM



173

CITY BOLARD NG



174

TOWER NG



175

ARKTOS NG



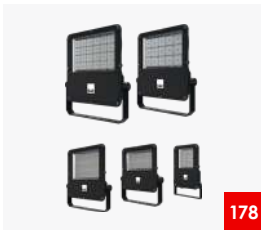
176

CINTIA



177

ALBA



178

VALERIA



179

D-BAR



180

CENTRO IP65

Emergency Lighting Luminaires



EXIT MINOLITE



EXIT ELOTTI MAXI



EXIT ELOTTI SLIM



EXIT TORSECA



EXIT TORSECA HL



EXIT PLEK MINI/MIDI/MAXI TY



EXIT PLEK MINI/MIDI/MAXI CY



EXIT ROBITO NG



EXIT ROBITO



EXIT MATE



WALD NG YV



RIGNA



STOLE STD YV



TAOLA KR



BINARI



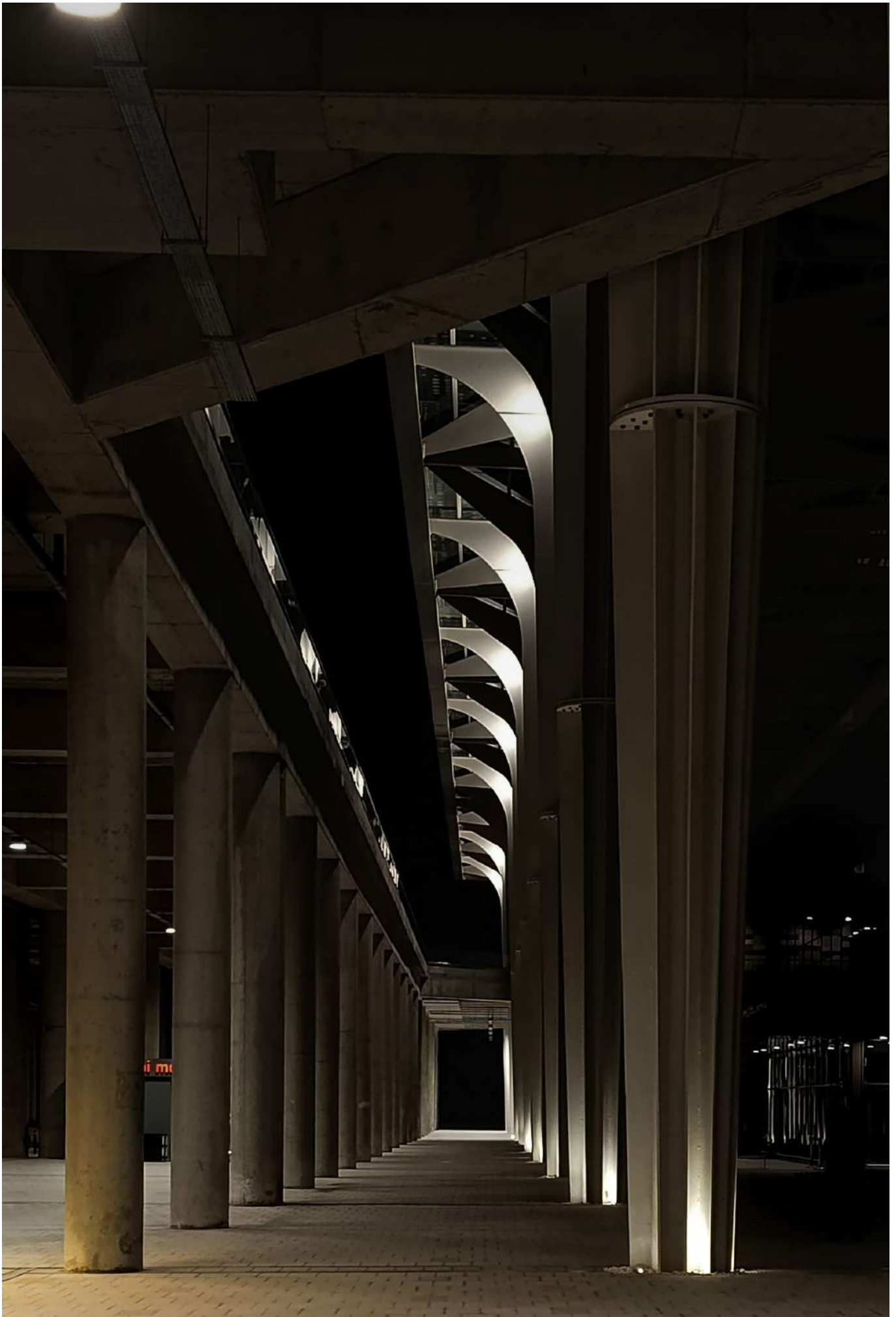
ARIOSTE

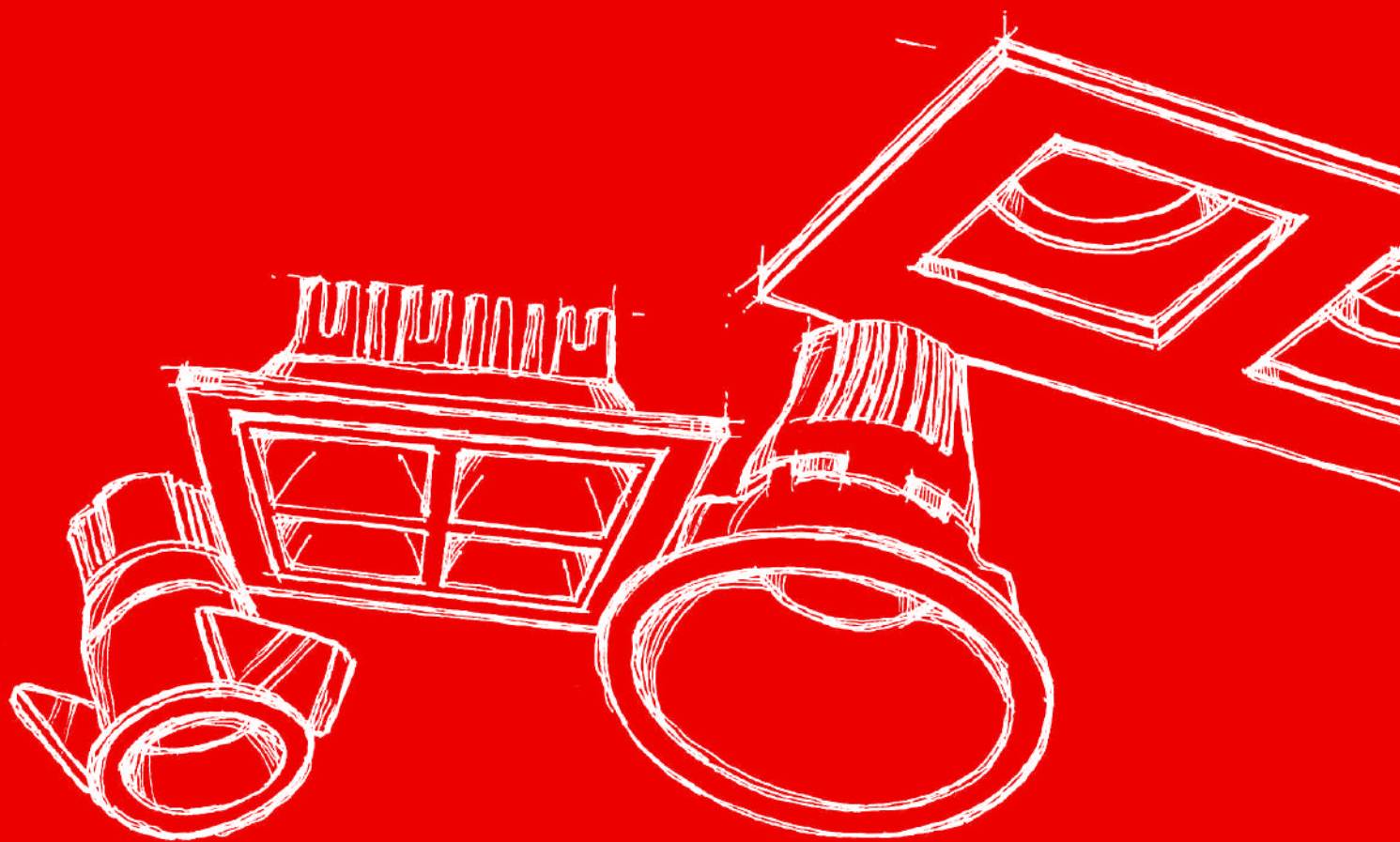


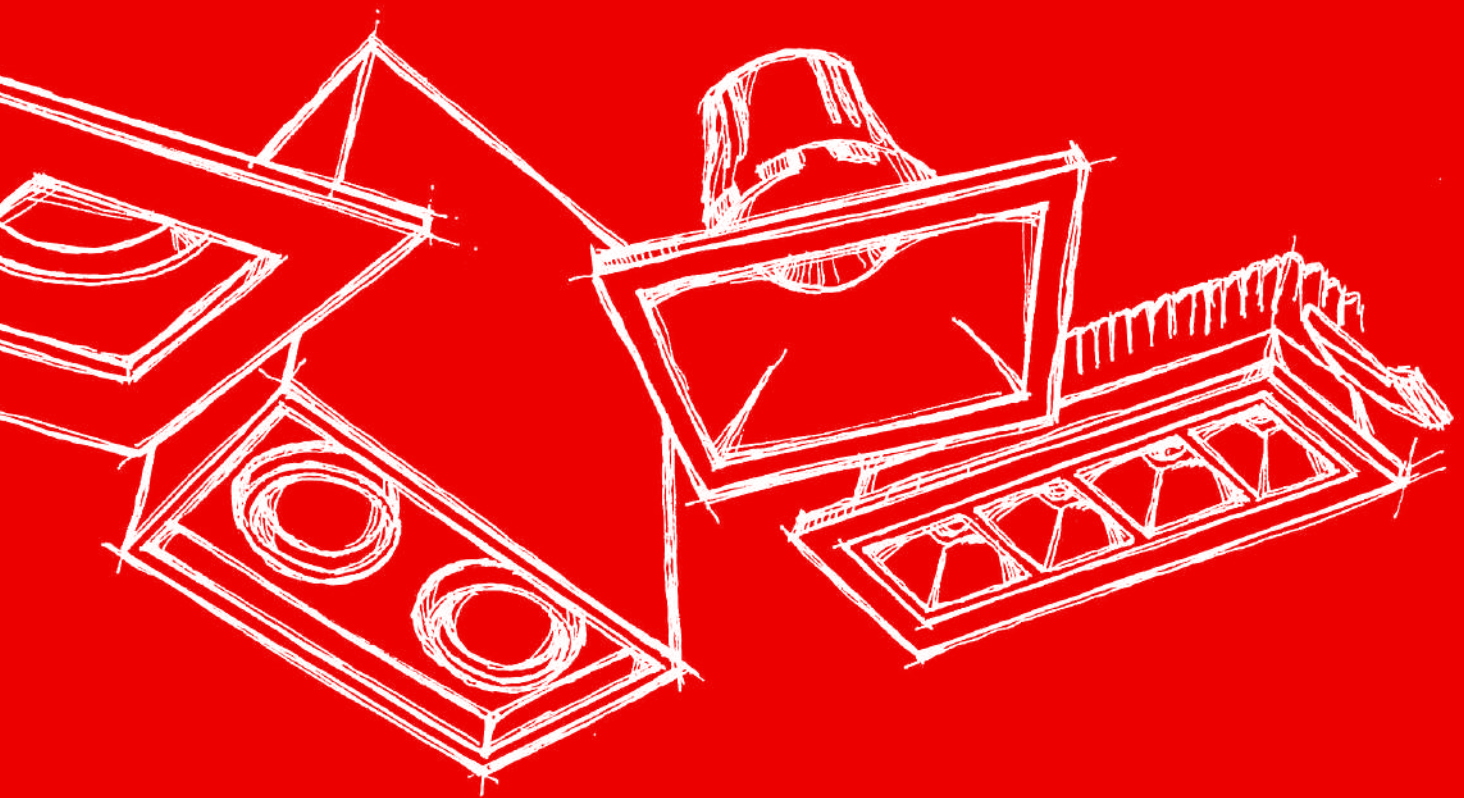
PONDA



SAVIOR MATE







Spot Luminaires

DOWNLED V5.

RECESSED
MOUNTED

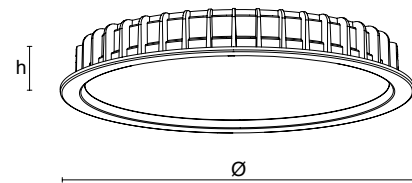
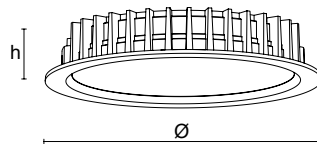
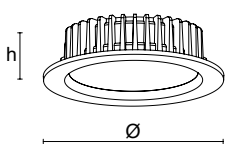
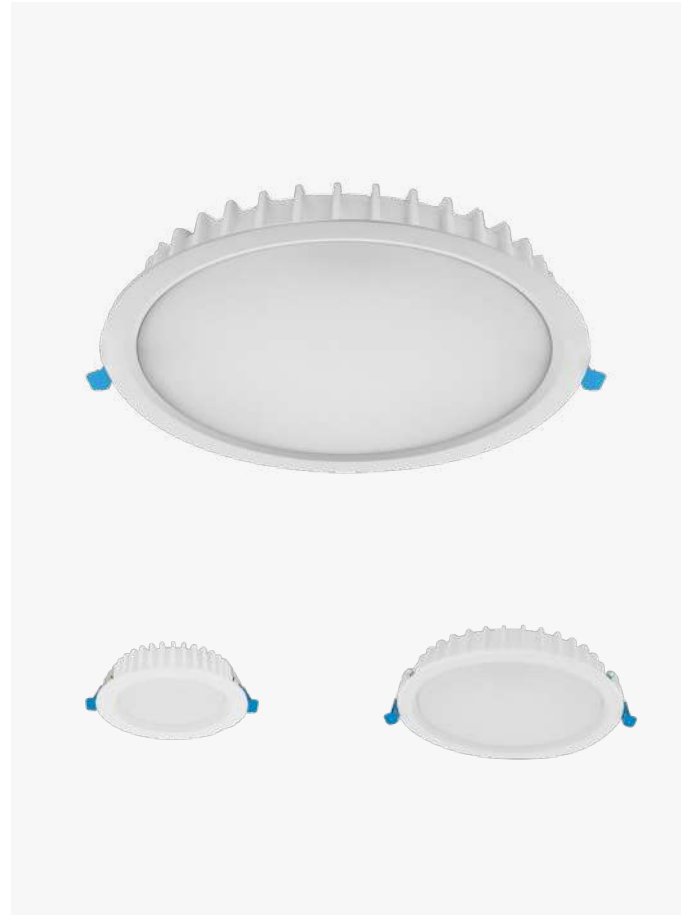


DOWNLED V5 recessed mounted can be used in multi-purpose projects thanks to its simple design with clean finishes and opal diffuser that provides eye comfort. With a height of 3.5 cm, the luminaire provides ease of use in ceilings with little depth. Economical and energy efficient DOWNLED V5 recessed mounted is ideal for all projects.

Housing	Aluminium Housing
Optic	Opal Diffuser
Light Source	SMD LED
Power Consumption	Ø115mm 8W - 10W Ø175mm 14W - 20W Ø225mm 20W - 30W
Lumen Ø115mm	904 lm / 1130 lm
Lumen Ø175mm	1580 lm / 2258 lm
Lumen Ø225mm	2266 lm / 3399 lm
Input Voltage	220-240V AC 50/60Hz
Color Temperature	2700K / 3000K / 4000K / 6500K
CRI	>80
IP (Housing)	IP20 / IP40
Electronic Control	On/Off (IP20 Driver) - DALI (IP20 Driver)
Mounting Type	Recessed Mounted
Housing Colour	RAL 9016

Options

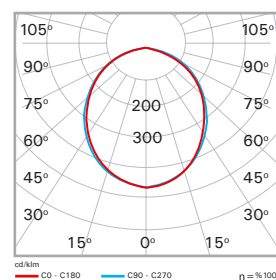
Emergency Kit	Yes (1-3 Hours)
CRI	>90
DALI Compatibility	Yes

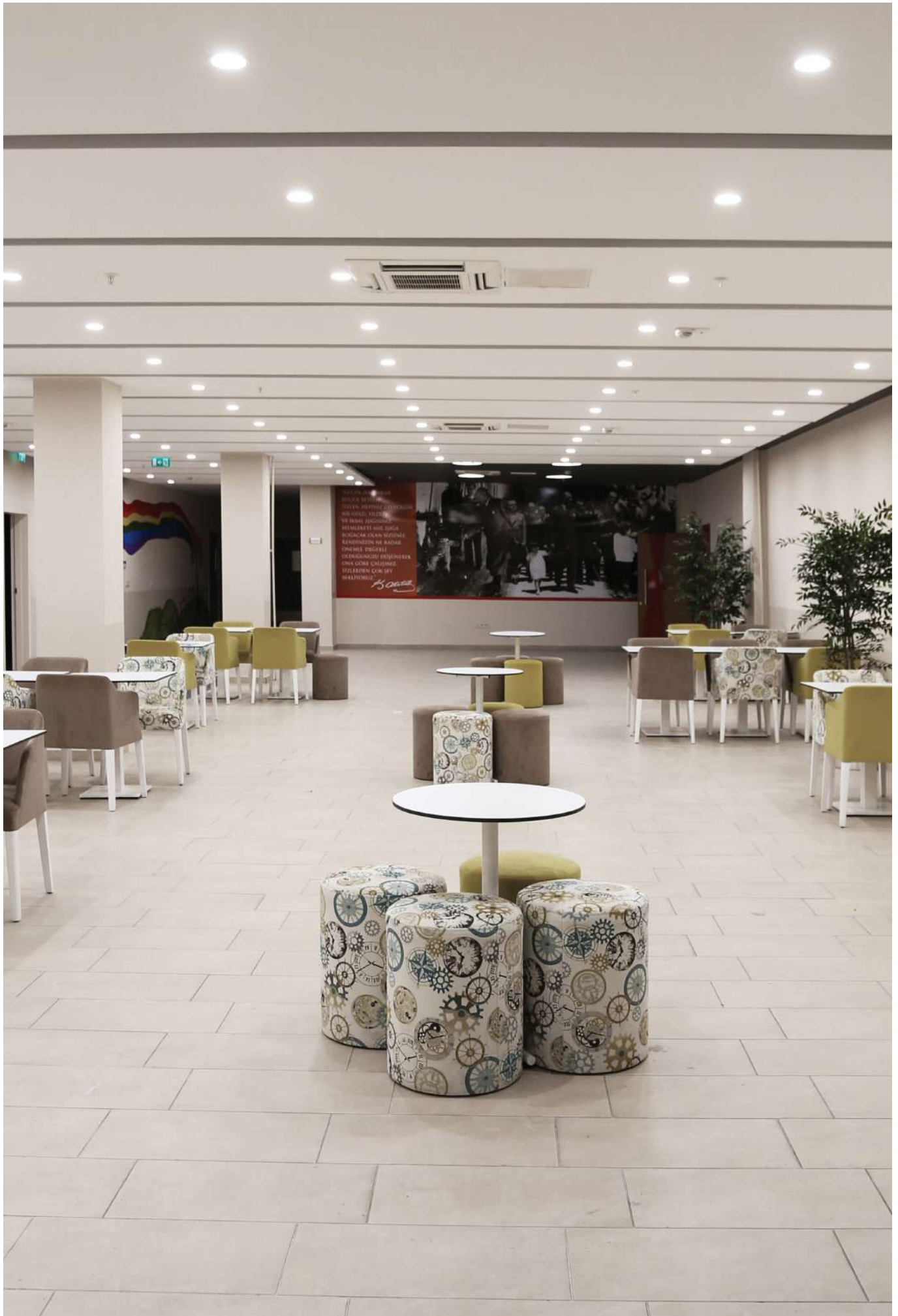


Dimensions (mm)

Power	Housing	h	Ceiling Cut-Out Dimensions
8W	Ø115	40	100
10W	Ø115	40	100
14W	Ø175	35	165
20W	Ø175	35	165
20W	Ø225	35	210
30W	Ø225	35	210

Photometric Data





DOWNLED V5 IP65/IP20

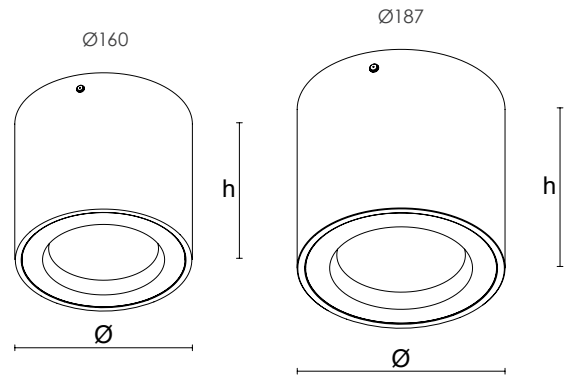
SURFACE MOUNTED



DOWNLED V5 surface-mounted offers powerful performance for areas requiring high IP protection. With IP65 and IP20 options, it is suitable for both indoor and outdoor use. Its high luminous efficiency ensures energy savings and uniform lighting, while the deeply recessed light source minimizes glare and creates a symmetrical spot effect.

Housing	Aluminium Housing
Optic	Recessed Opal Diffuser
Light Source	SMD LED
Power Consumption	17W / 20W
Lumen	1441 lm / 1696 lm
Input Voltage	220-240V AC 50/60Hz
Color Temperature	2700K / 3000K / 4000K / 6500K
CRI	>80
IP (Housing)	IP20 / IP65
Mounting Type	Surface Mounted
Housing Colour	RAL 9016

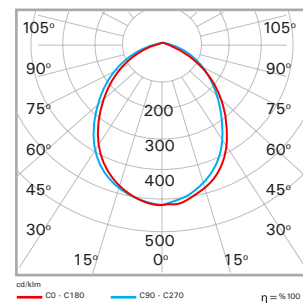
Options	
Emergency Kit	None
DALI Compatibility	Yes



Dimensions (mm)

IP20 / IP65		
Power	Housing	h
17W	Ø160	160
20W	Ø187	180

Photometric Data





DOWNLED IP65/IP65-20

RECESSED
MOUNTED

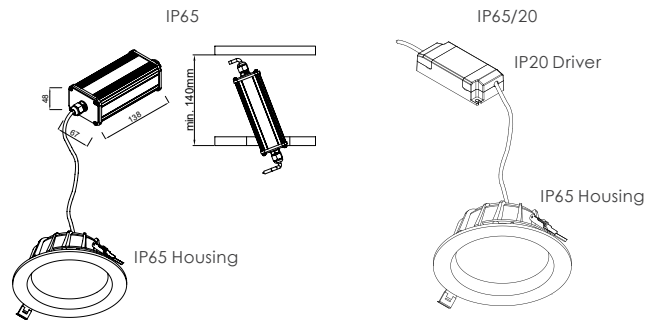
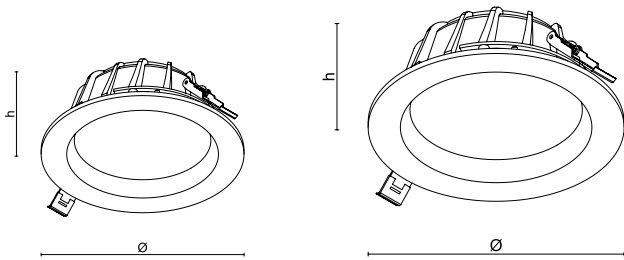


DOWNLED IP65 meets the IP value required for damp spaces and is suitable for outdoor and under eaves areas. No glare thanks to its deeply positioned light source and opal diffuser.

Housing	Aluminium Housing
Optic	Recessed Opal Diffuser
Light Source	SMD LED
Power Consumption	17W / 20W
Lumen	1441 lm / 1696 lm
Input Voltage	220-240V AC 50/60Hz
Color Temperature	2700K / 3000K / 4000K / 6500K
CRI	>80
IP (Housing)	IP65 - IP65/20
Mounting Type	Recessed Mounted
Housing Colour	RAL 9016

Options

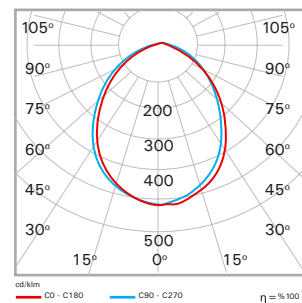
Emergency Kit	Yes (1-3 Hours)
DALI Compatibility	Yes



Dimensions (mm)

IP65 - IP65/20			
Power	Housing	h	Ceiling Cut-Out Dimensions
17W	Ø147	82	Ø128
20W	Ø177	85	Ø152

Photometric Data



DOWNLED V6

RECESSED MOUNTED

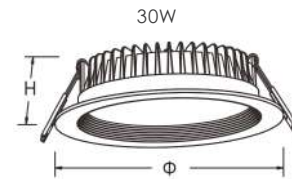
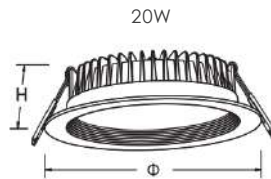
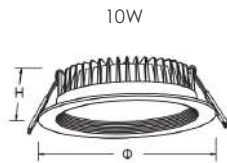


DOWNLED V6 is designed to stand out in all projects that require innovation and economy. Developed with the advantages of innovative LED technology, DOWNLED V6 can be easily integrated into Yesious projects thanks to its three different body designs. With its minimalist design and recessed mounting feature, it can be easily placed in narrow ceiling spaces. Thanks to its opal diffuser, it maximizes eye comfort by providing homogeneous light distribution.

Housing	Aluminium Housing
Optic	Opal Diffuser
Light Source	Mid Power LED
Power Consumption	10W / 20W / 30W
Lumen	1242 lm / 2068 lm / 3367 lm
Input Voltage	220-240V AC 50/60Hz
Color Temperature	4000K / 6500K
CRI	>80
IP (Housing)	IP20
Mounting Type	Recessed Mounted
Housing Colour	RAL 9003 / RAL 9016

Options

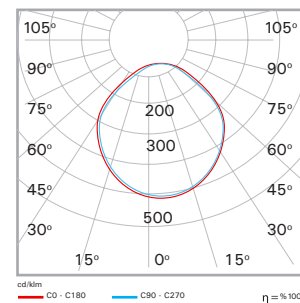
Emergency Kit	Yes
DALI Compatibility	Yes



Dimensions (mm)

	Ø	h	ØD
10W	138	32	115
20W	178	36	155
30W	188	36	160

Photometric Data



DOWNLED Ø190 NG YV/KR

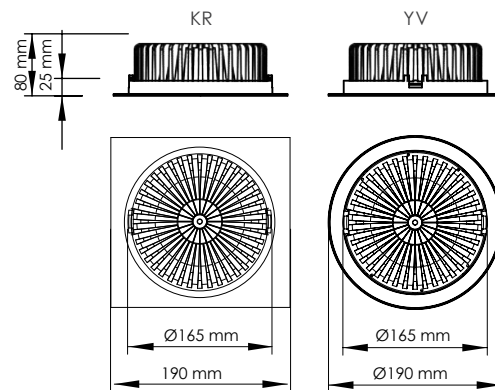
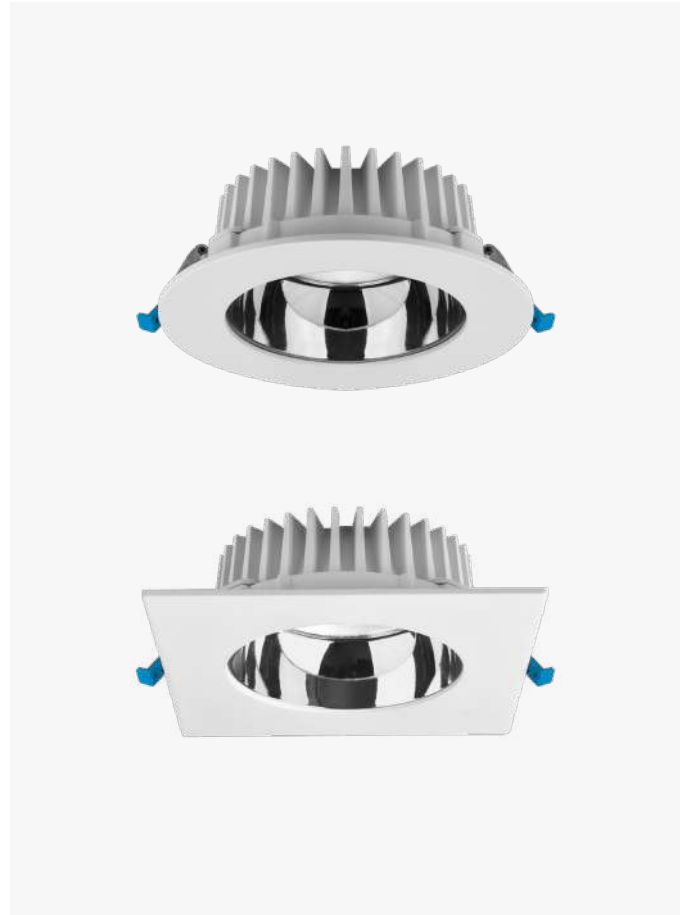
RECESSED
MOUNTED



Downled Ø190 NG delivers uniform and comfortable illumination with its opal diffuser and SMD LED light source, making it ideal for architectural interior applications.

Housing	Aluminium Housing
Optic	Opal Diffuser
Light Source	SMD LED
Power Consumption	15 W / 20 W / 27 W
Lumen	Ø190 NG 1425 lm / 1876 lm / 2484 lm Ø190x190 NG 1452 lm / 1912 lm / 2532,6 lm
Input Voltage	220-240V AC 50/60Hz
Color Temperature	2700K / 3000K / 4000K / 6500K
CRI	>80 / >90
IP (Housing)	IP20
Mounting Type	Recessed Mounted
Housing Colour	RAL 9016

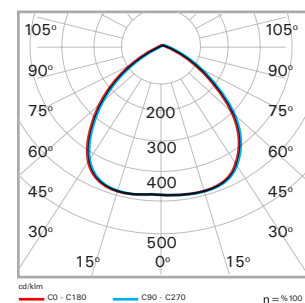
Options	
Emergency Kit	Yes (1-3 Hours)
CRI	>90
DALI Compatibility	Yes



Dimensions (mm)

Product	a x b / Ø	h	Ceiling Cut-Out Dimensions
190 x 190 NG	190 x 190	80	Ø170
Ø190 NG	Ø190	80	Ø170

Photometric Data



DOWNLED Ø209/Ø157 NG ■

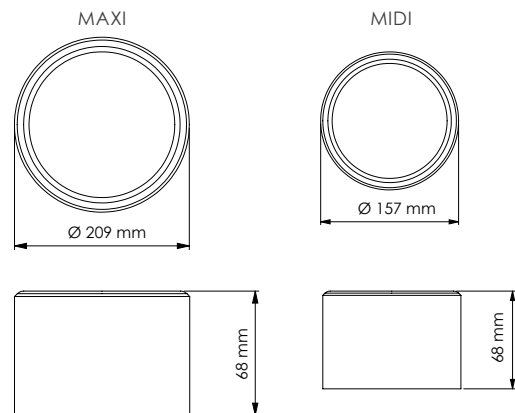
SURFACE MOUNTED



DOWNLED Ø209 MAXI/Ø157 MIDI NG IP20 Surface Mounted, thanks to its high light efficiency, it offers great savings when compared to traditional lighting.

Housing	Aluminium Housing	
Optic	Opal Diffuser	
Light Source	SMD LED	
Power Consumption	MAXI NG	20W / 30W
Power Consumption	MIDI NG	14W / 20W
Lumen	Ø209 MAXI NG	2020 lm / 2484 lm
	Ø157 MIDI NG	1288 lm / 1780 lm
Input Voltage	220-240V AC 50/60Hz	
Color Temperature	2700K / 3000K / 4000K / 6500K	
CRI	>80	
IP (Housing)	IP20	
Mounting Type	Surface Mounted	
Housing Colour	RAL 9016	

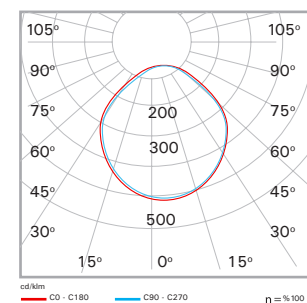
Options		
Emergency Kit	Non Available	
CRI	>90	
DALI Compatibility	Yes	

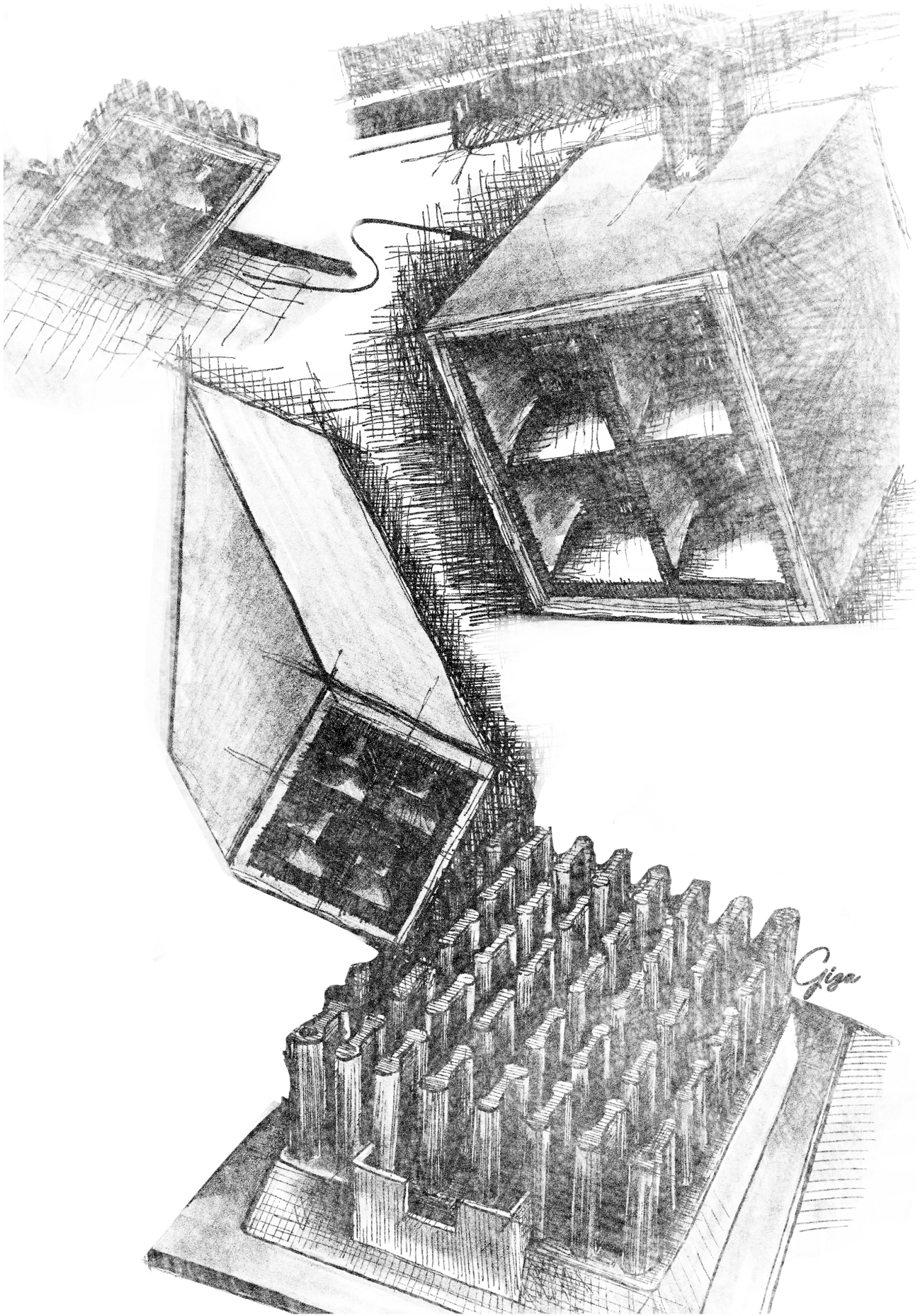


Dimensions (mm)

	Ø	h
Ø209 MAXI NG	209	68
Ø157 MIDI NG	157	66

Photometric Data





Giga

GIZA IP20/IP65/IP65-20

RECESSED
MOUNTED

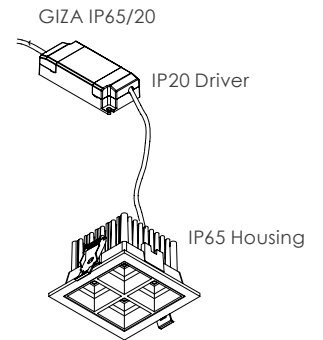
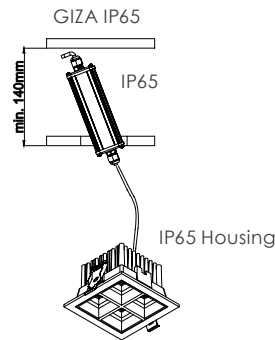
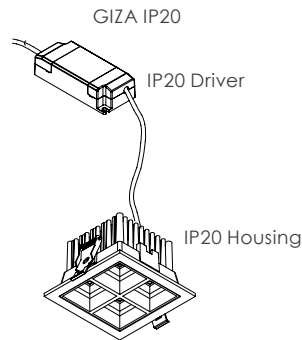
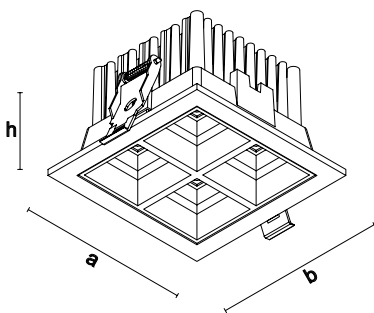


GIZA recessed mounted, preserving the architectural integrity wherever it is used - retail stores, exhibition halls, meeting rooms and stylish complement to areas such as corridors. With its 75 mm body height, GIZA provides ease of installation in narrow spaces and does not cause glare with its deeply positioned reflector structure, and provides 50° and 80° light distribution thanks to its highly efficient optical design lenses.

Housing	Aluminium Housing
Optic	50° / 80° Lens + Reflector (Black)
Light Source	SMD LED
Power Consumption	8W / 10W / 15W / 20W / 28W
Lumen IP20	894 lm / 1076 lm / 1543 lm / 2200 lm / 2962 lm
Lumen IP65	849 lm / 1022 lm / 1466 lm / 2090 lm / 2814 lm
Input Voltage	220-240V AC 50/60 Hz
Color Temperature	2700K / 3000K / 4000K / 6500K
CRI	>80
IP (Housing)	IP20 / IP65 - IP65/20
Mounting Type	Recessed Mounted
Housing Colour	RAL 9005 / RAL 9006 / RAL 9016

Options

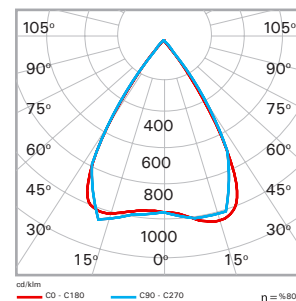
Emergency Kit	Yes (1-3 Hours)
DALI Compatibility	Yes
CRI	>90



Dimensions (mm)

a	b	h	Ceiling Cut-Out Dimensions
100	100	75	90 x 90

Photometric Data



GIZA IP65/IP20

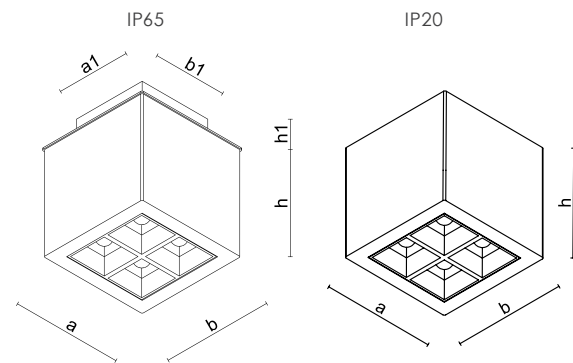
SURFACE MOUNTED



With its minimalist cube-shaped design, GIZA surface-mounted is used to illuminate spaces such as healthcare institutions, hotels, educational institutions, museums and exhibition halls. With its advanced lens structure, the product provides 50° and 80° light distribution as well as efficient light direction.

Housing	Aluminium Housing
Optic	50° / 80° Lens + Reflector (Black)
Light Source	SMD LED
Power Consumption	8W / 10W / 15W / 20W / 28W
Lumen IP20	894 lm / 1076 lm / 1543 lm / 2200 lm / 2962 lm
Lumen IP65	855 lm / 1016 lm / 1364 lm / 2079 lm / 2807 lm
Input Voltage	220-240V AC 50/60 Hz
Color Temperature	2700K / 3000K / 4000K / 6500K
CRI	>80
IP (Housing)	IP65 / IP20
Mounting Type	Surface Mounted
Housing Colour	RAL 9005 / RAL 9006 / RAL 9016

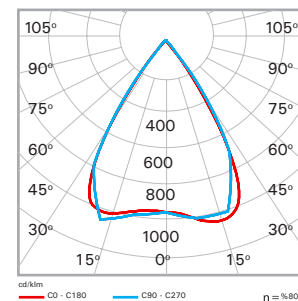
Options	
Emergency Kit	None
DALI Compatibility	Yes
CRI	>90



Dimensions (mm)

IP20			IP65					
a	b	h	a	b	h	a1	b1	h1
105	105	100	105	105	100	70	70	20

Photometric Data



GIZA SLIM ADJ.

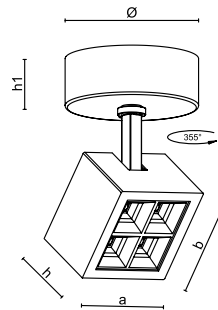
SURFACE MOUNTED



GIZA SLIM features a 355° rotatable body, allowing flexible lighting angles. Ideal for spaces prioritizing visual comfort like shops, meeting rooms, homes, museums, and galleries. Its high-performance LED and optical quality ensure both aesthetic and functional lighting.

Housing	Aluminium Housing
Optic	50° / 80° Lens + Reflector (Black)
Light Source	SMD LED
Power Consumption	8W / 10W / 15W / 20W / 28W
Lumen	894 lm / 1076 lm / 1543 lm / 2200 lm / 2962 lm
Input Voltage	220-240V AC 50/60 Hz
Color Temperature	2700K / 3000K / 4000K / 6500K
CRI	>80
IP (Housing)	IP20
Mounting Type	Surface Mounted
Housing Colour	RAL 9005 / RAL 9006 / RAL 9016

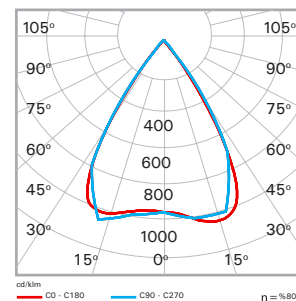
Options	
Emergency Kit	None
DALI Compatibility	Yes
CRI	>90



Dimensions (mm)

a	b	h	h1	Ø
105	105	70	50	120

Photometric Data



GIZA L4

RECESSED
MOUNTED

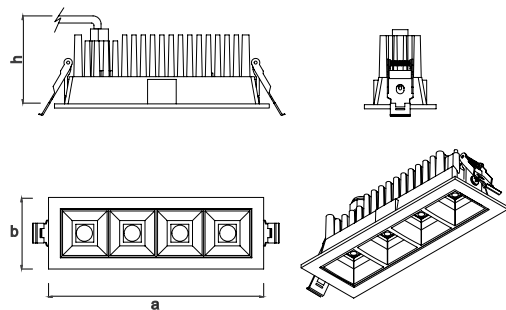


GIZA L4 stands out with high-efficiency custom optic lenses, offering 50° and 80° light distributions. Its deep-set reflector minimizes glare for comfortable lighting. With recessed mounting, it's ideal for museums, galleries, meeting rooms, corridors, and retail spaces.

Housing	Aluminium Housing
Optic	50° / 80° Lens + Reflector (Black)
Light Source	SMD LED
Power Consumption	8W / 10W / 15W
Lumen	894 lm / 1076 lm / 1473 lm
Input Voltage	220-240V AC 50/60 Hz
Color Temperature	2700K / 3000K / 4000K / 6500K
CRI	>80
IP (Housing)	IP20
Mounting Type	Recessed Mounted
Housing Colour	RAL 9005 / RAL 9006 / RAL 9016

Options

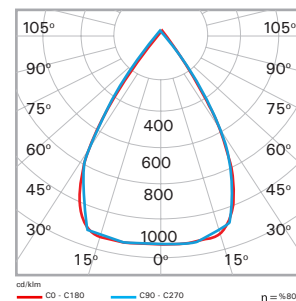
Emergency Kit	Yes (1-3 Hours)
DALI Compatibility	Yes
CRI	>90



Dimensions (mm)

a	b	h	Ceiling Cut-Out Dimensions
180	60	65	50 x 170

Photometric Data



STORM ADJ.

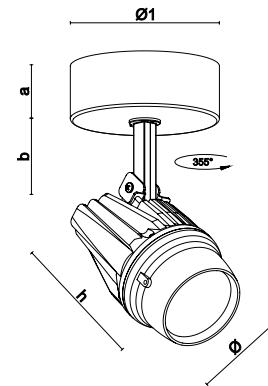
SURFACE MOUNTED



STORM surface-mounted luminaire, which stands out among the new generation surface-mounted luminaires, is designed to meet the lighting needs of retail and exhibition areas at the maximum level. Offering different optical and Lumen values to highlight your projects, the luminaire offers a simple solution to projects that need accent lighting. STORM surface-mounted luminaire perfectly complements your lighting concept by combining aesthetics and functionality with its steerable body.

Housing	Aluminium Housing
Optic	24° / 40° / 60° Reflector
Light Source	COB LED
Power Consumption	20W / 28W / 36W
Lumen	2420 lm / 3330 lm / 4176 lm
Input Voltage	220-240V AC 50/60 Hz
Color Temperature	2700K / 3000K / 4000K / 6500K
CRI	>80
IP (Housing)	IP20
Mounting Type	Surface Mounted
Housing Colour	RAL 9005 / RAL 9006 / RAL 9016

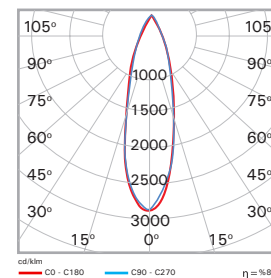
Options	
Emergency Kit	None
DALI Compatibility	Yes
CRI	>90

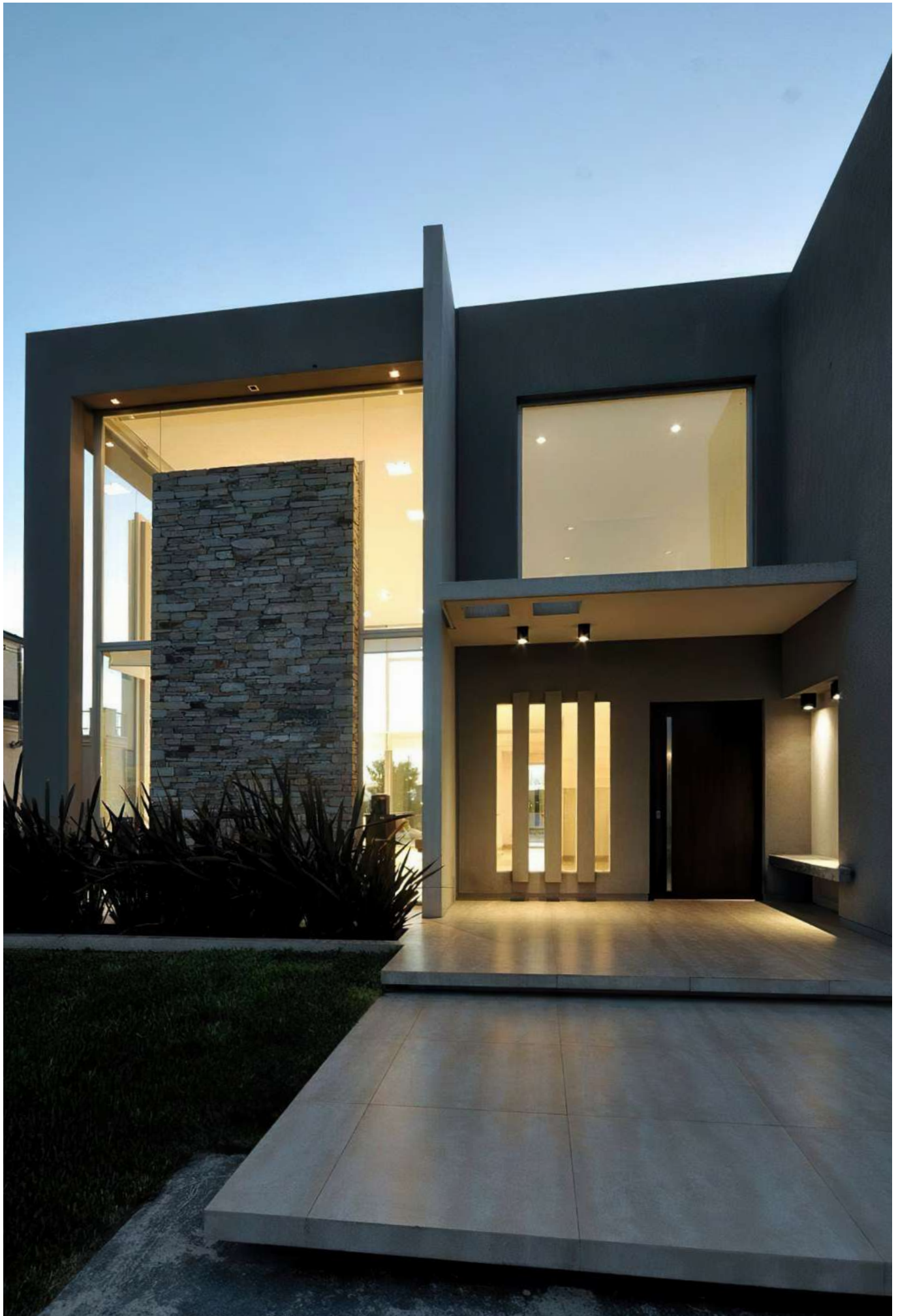


Dimensions (mm)

a	b	h	Ø	Ø1
50	48	138	90	120

Photometric Data



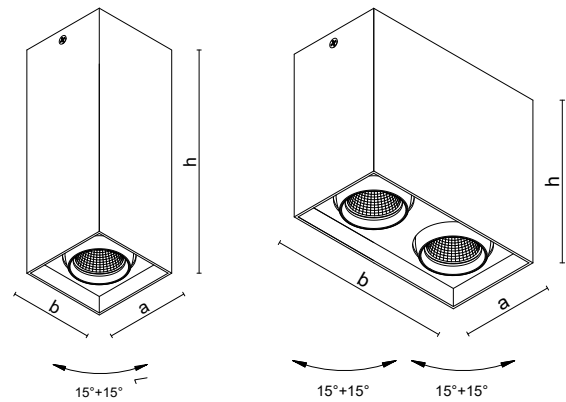
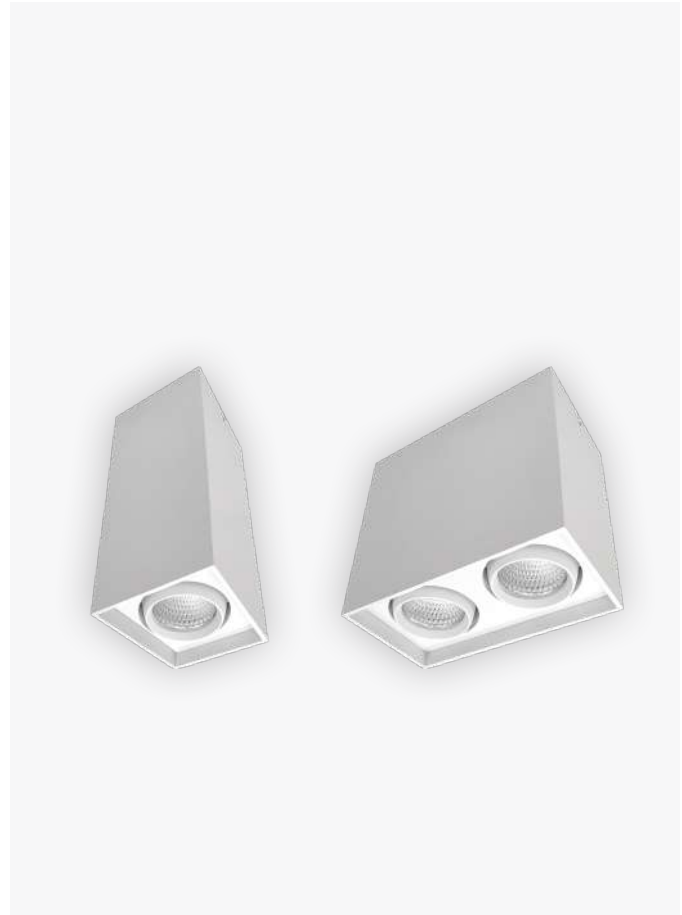




BRICK is available in different sizes and alternatives. With its compact body design and deeply positioned light source that does not cause glare, it perfectly meets the particular and general lighting needs of all kinds of interiors. BRICK provides solutions to modern lighting concepts with its stylish surface-mounted design.

Housing	Aluminium Housing
Optic	24° / 36° Reflector
Light Source	COB LED
Power Consumption	Brick 1x 8W / 10W / 15W Brick 2x 10W / 15W / 20W / 28W
Lumen	Brick 1x 853 lm / 1066 lm / 1380 lm Brick 2x 1066 lm / 1600 lm / 2020 lm / 2576 lm
Input Voltage	220-240V AC 50/60 Hz
Color Temperature	2700K / 3000K / 4000K / 6500K
CRI	>80
IP (Housing)	IP20
Mounting Type	Surface Mounted
Housing Colour	RAL 9005 / RAL 9006 / RAL 9016

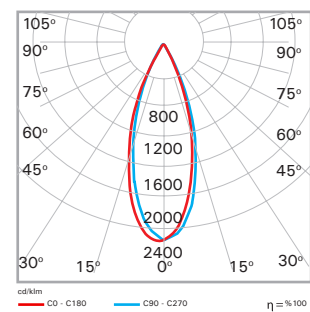
Options	
Emergency Kit	None
DALI Compatibility	Yes
CRI	>90



Dimensions (mm)

	a	b	h
1xBrick	80	80	200
2xBrick	80	150	150

Photometric Data



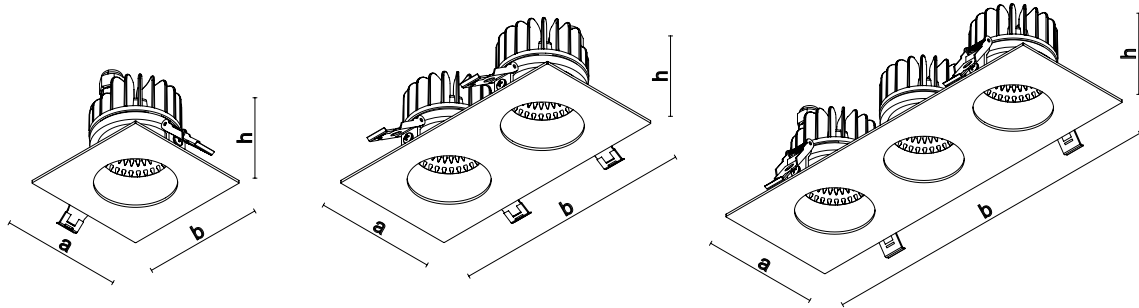


BELLA recessed offers a wide range of optics with three beam angle options for both general and focused lighting. It distributes light as needed while its compact size allows easy installation in narrow spaces.

Housing	Aluminium Housing
Optic	24° / 36° / 60° Reflector
Light Source	COB LED
Power Consumption	Bella 1x 8W / 10W / 15W Bella 2x 15W / 20W / 28W Bella 3x 20W / 28W / 36W / 40W
Lumen	Bella 1x 904 lm / 1130 lm / 1650 lm Bella 2x 1695 lm / 2260 lm / 3080 lm Bella 2x 2260 lm / 3164 lm / 4068 lm / 4400 lm
Input Voltage	220-240V AC 50/60 Hz
Color Temperature	2700K / 3000K / 4000K / 6500K
CRI	>80
IP (Housing)	IP20
Mounting Type	Recessed Mounted
Housing Colour	RAL 9005 / RAL 9006 / RAL 9016

Options

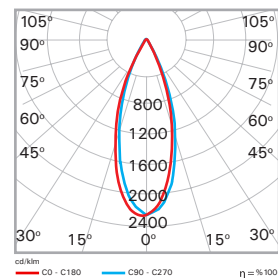
Emergency Kit	Yes (1-3 Hours)
DALI Compatibility	Yes
CRI	>90



Dimensions (mm)

Housing	a	b	h	Ceiling Cut-Out Dimensions
1xBella	100	100	98	90 x 90
2xBella	100	200	98	90 x 180
3xBella	100	300	98	90 x 270

Photometric Data

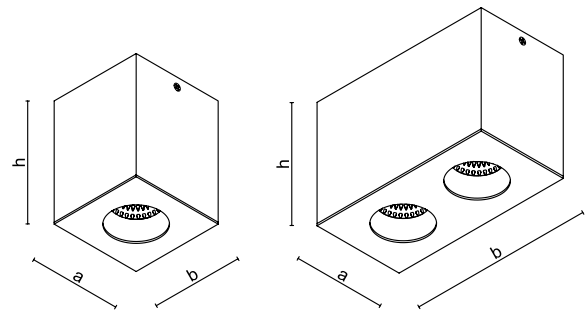




In addition to its aesthetic design, BELLA surface-mounted luminaires prevent glare with its deeply positioned light source and specially designed reflector optical structure. It takes its place in various areas of use such as health institutions, hotels, stores, meeting rooms and corridors.

Housing	Aluminium Housing
Optic	24° / 36° / 60° Reflector
Light Source	COB LED
Power Consumption	Bella 1x 8W / 10W / 15W Bella 2x 15W / 20W / 28W
Lumen	Bella 1x 904 lm / 1130 lm / 1650 lm Bella 2x 1695 lm / 2260 lm / 3080 lm
Input Voltage	220-240V AC 50/60 Hz
Color Temperature	2700K / 3000K / 4000K / 6500K
CRI	>80
IP (Housing)	IP20
Mounting Type	Surface Mounted
Housing Colour	RAL 9005 / RAL 9006 / RAL 9016

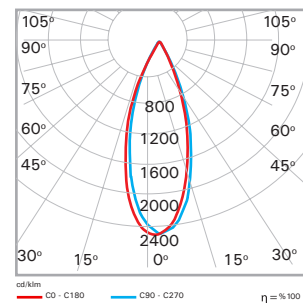
Options	
Emergency Kit	None
DALI Compatibility	Yes
CRI	>90



Dimensions (mm)

Housing	a	b	h
1xBella	100	100	130
2xBella	100	200	130

Photometric Data



ORI MICRO



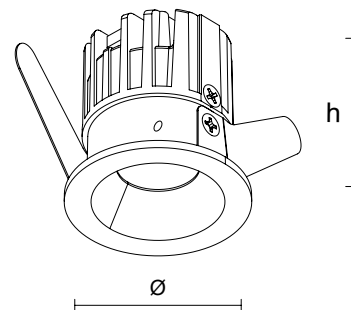
RECESSED
MOUNTED

ORI MICRO has a Ø42mm diameter. Thanks to its deeply positioned Light Source, it provides homogeneous illumination without creating glare. ORI MICRO, which has two angle options, 24° and 36°, can easily adapt to narrow spaces such as niches, bookcases and showcases.

Housing	Aluminium Housing
Optic	24° / 36° Reflector
Light Source	COB LED
Power Consumption	3W
Lumen	302 lm
Input Voltage	220-240V AC 50/60 Hz
Color Temperature	2700K / 3000K / 4000K / 6500K
CRI	>80
IP (Housing)	IP20
Mounting Type	Recessed Mounted
Housing Colour	RAL 9005 / RAL 9006 / RAL 9016

Options

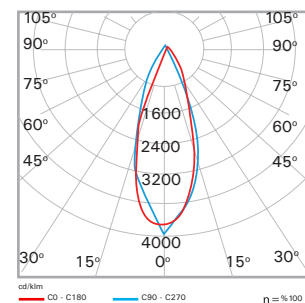
Emergency Kit	None
DALI Compatibility	Yes
CRI	>90

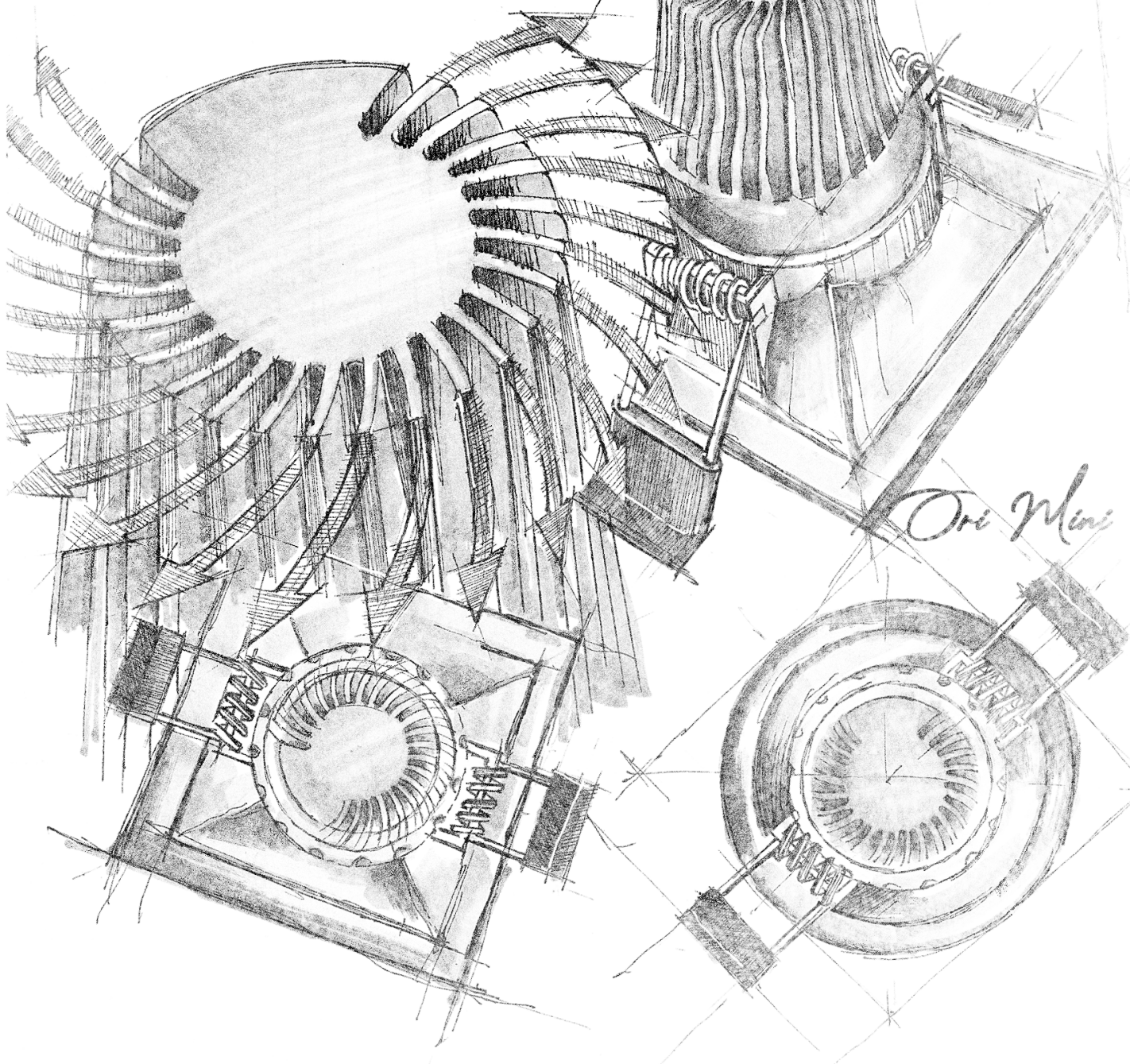
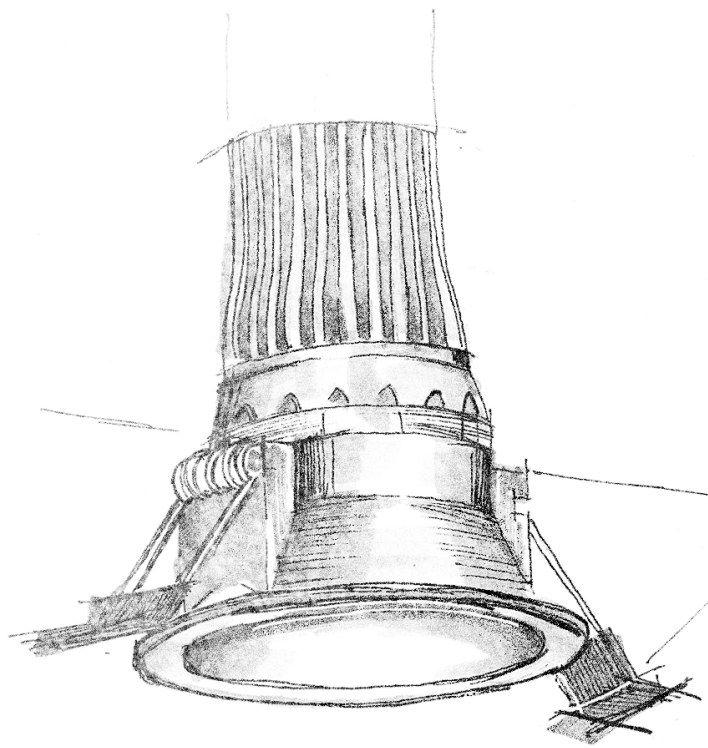


Dimensions (mm)

Ø	h	Ceiling Cut-Out Dimensions
42	42	Ø36

Photometric Data





Ore Mine

ORI SMALL/SMALL DARK/DARK IP65-20

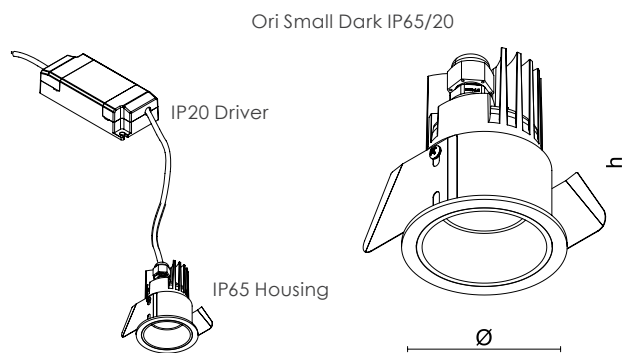
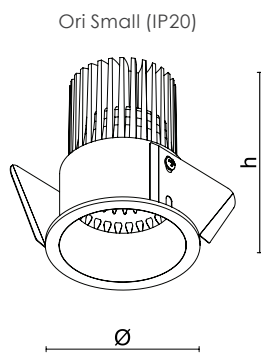
RECESSED
MOUNTED



ORI is available in three versions: Small, Dark, and Dark IP65. With its minimalist design, it adds a stylish touch to architectural spaces while minimizing glare thanks to its deeply positioned light source and dark reflector option. The IP65-rated ORI Dark is also suitable for humid environments.

Housing	Aluminium Housing
Optic	24° / 36° Reflector / Lens (IP65)
Light Source	COB LED
Power Consumption	8W / 10W / 15W
Lumen	Small 797 lm / 954 lm / 1370 lm Dark 720 lm / 890 lm / 1297 lm IP65 720 lm / 890 lm / 1297 lm
Input Voltage	220-240V AC 50/60 Hz
Color Temperature	2700K / 3000K / 4000K / 6500K
CRI	>80
IP (Housing)	IP20/IP65 Housing - IP20 Driver
Mounting Type	Recessed Mounted
Housing Colour	RAL 9005 / RAL 9006 / RAL 9016

Options	
Emergency Kit	None
DALI Compatibility	Yes
CRI	>90

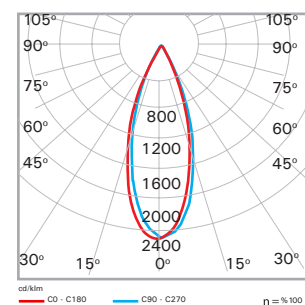


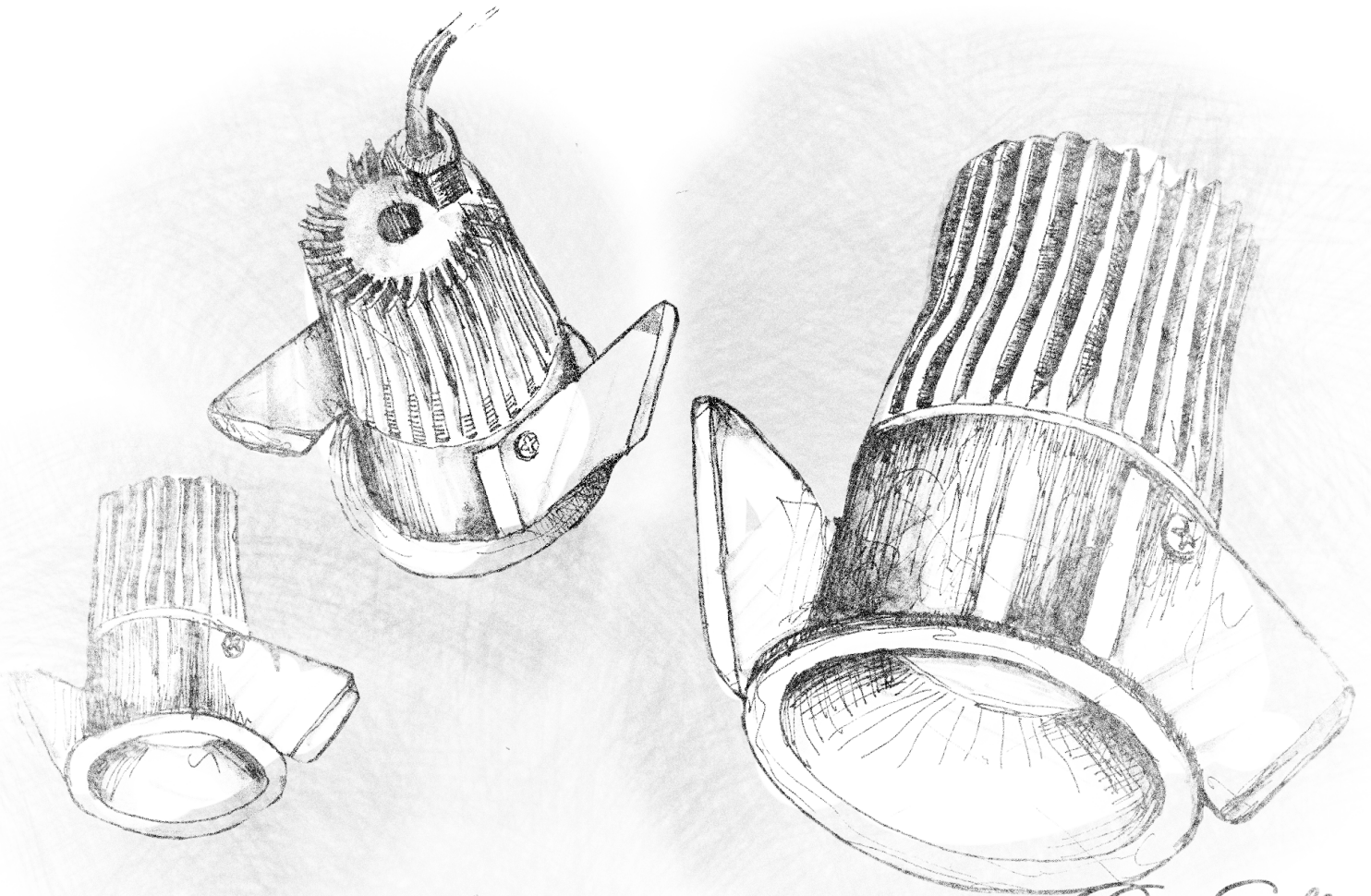
Dimensions (mm)

ORI SMALL		
Ø	h	Ceiling Cut-Out Dimensions
58	100	Ø52

ORI SMALL DARK IP65/20		
Ø	h	Ceiling Cut-Out Dimensions
65	81	Ø58

Photometric Data





Ori Small

ORI MINI YV/KR/IP20/IP65

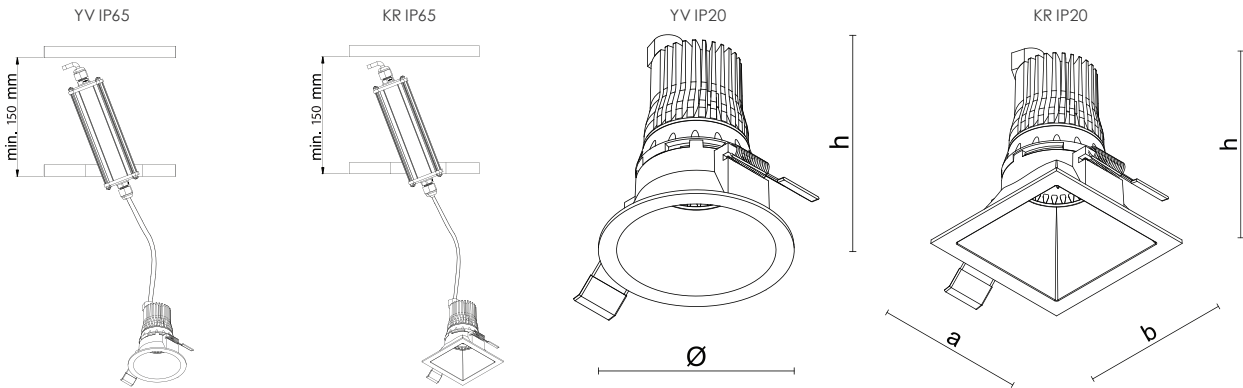
RECESSED MOUNTED



ORI MINI is available in round and square shapes. It is more effective and energy efficient compared to traditional LED alternatives. Thanks to its deeply positioned Light Source, it provides comfortable lighting by preventing glare. Thanks to its Recessed Mounted design, ORI MINI saves space in the area where it is used, giving architectural spaces an aesthetic and stylish look.

Housing	Aluminium Housing
Optic	24° / 36° / 60° Reflector / Lens (IP65)
Light Source	COB LED
Power Consumption	8W / 10W / 15W
Lumen IP20	853 lm / 1066 lm / 1370 lm / 1437 lm
Lumen IP65	568 lm / 738 lm / 904 lm / 1062 lm / 1261 lm
Input Voltage	220-240V AC 50/60 Hz
Color Temperature	2700K / 3000K / 4000K / 6500K
CRI	>80
IP (Housing)	IP20 - IP65 - IP65/20
Mounting Type	Recessed Mounted
Housing Colour	RAL 9005 / RAL 9006 / RAL 9016

Options	
Emergency Kit	Yes (1-3 Hours)
DALI Compatibility	Yes
CRI	>90

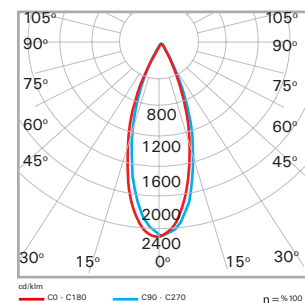


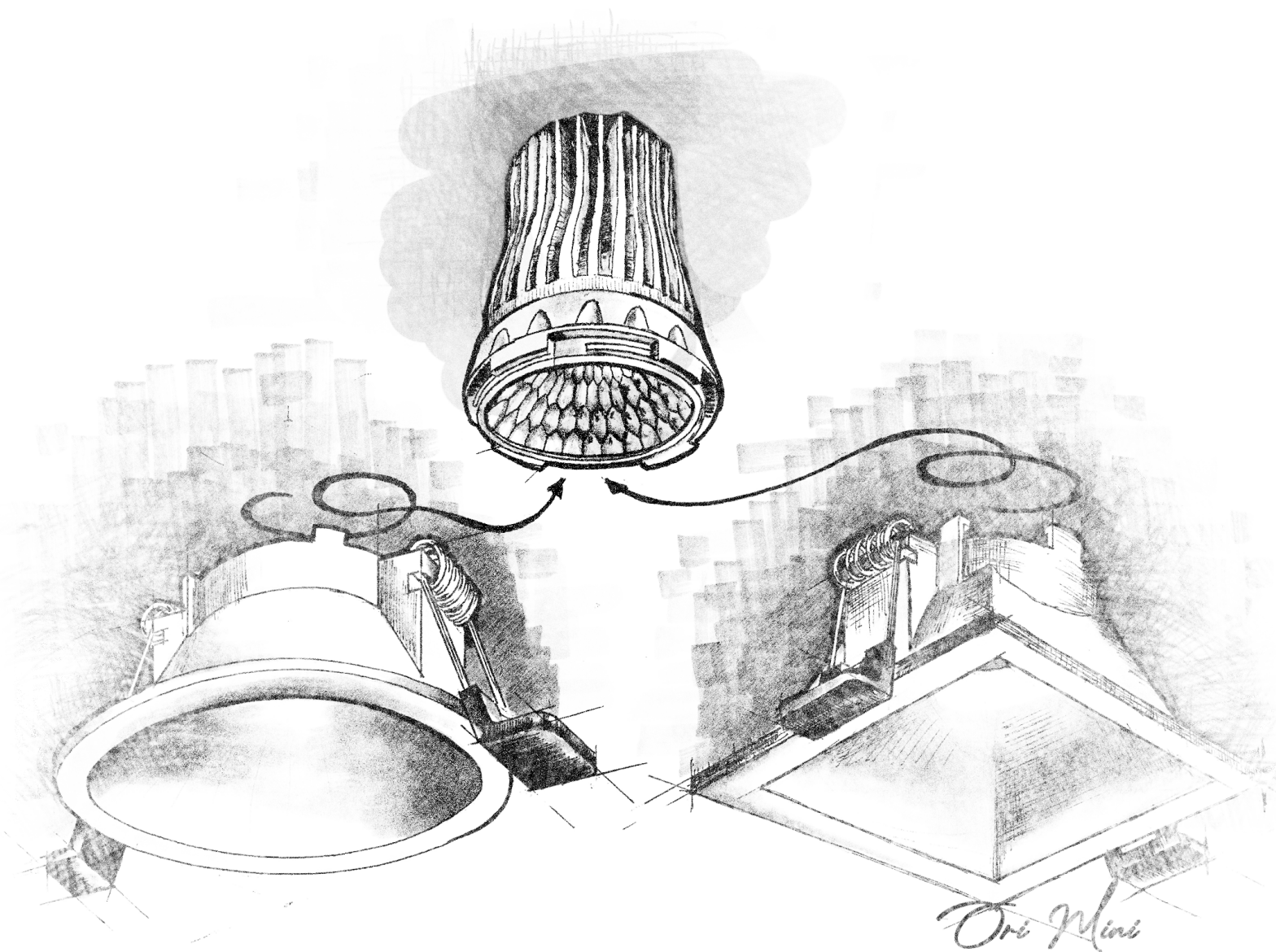
Dimensions (mm)

YV		
Ø	h	Ceiling Cut-Out Dimensions
85	115	Ø76

KR			
Ø	b	h	Ceiling Cut-Out Dimensions
85	85	115	75 x 75

Photometric Data





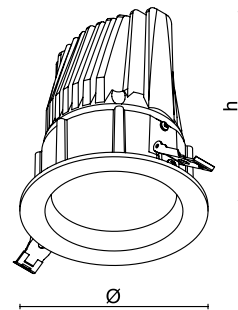
Ori Mini



ORI provides highly effective and energy-efficient lighting in retail and exhibition areas with its fixed Housing structure and different Lumen options. With its Recessed Mounted design, ORI provides ease of installation away from clutter.

Housing	Aluminium Housing
Optic	24° / 40° / 60° Reflector
Light Source	COB LED
Power Consumption	20W / 28W / 36W
Lumen	2320 lm / 3169 lm / 4003 lm
Input Voltage	220-240V AC 50/60Hz
Color Temperature	2700K / 3000K / 4000K / 6500K
CRI	>80
IP (Housing)	IP20
Mounting Type	Recessed Mounted
Housing Colour	RAL 9005 / RAL 9006 / RAL 9016

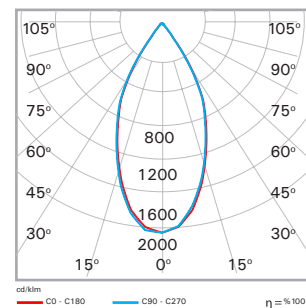
Options	
Emergency Kit	Yes (1-3 Hours)
DALI Compatibility	Yes
CRI	>90



Dimensions (mm)

Ø	h	Ceiling Cut-Out Dimensions
120	135	Ø108

Photometric Data



LUP YV/KR

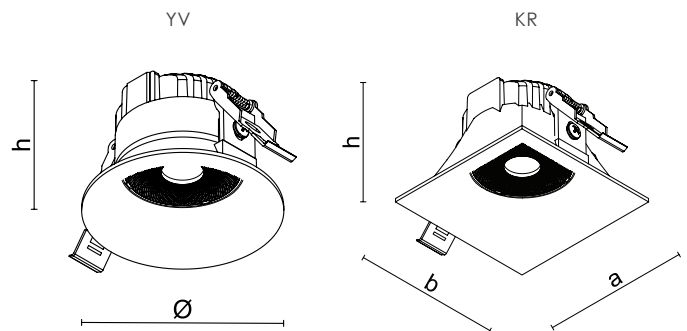
RECESSED
MOUNTED



LUP comes in two different forms, square and round. Thanks to its deeply positioned lenses, it captures clear light output and reduces unwanted reflections. It can be easily used in narrow attics with its low structure coming from its simple design. The lenses can be easily replaced where it is positioned according to the required light angle.

Housing	Aluminium Housing
Optic	24° / 36° / 60° Lens
Light Source	COB LED
Power Consumption	8W / 10W / 15W
Lumen YV	838 lm / 1028 lm / 1411 lm
Lumen KR	852 lm / 1045 lm / 1435 lm
Input Voltage	220-240V AC 50/60Hz
Color Temperature	2700K / 3000K / 4000K / 6500K
CRI	>80
IP (Housing)	IP20
Mounting Type	Recessed Mounted
Housing Colour	RAL 9005 / RAL 9016 / RAL 7016

Options	
Emergency Kit	Yes (1-3 Hours)
DALI Compatibility	Yes
CRI	>90

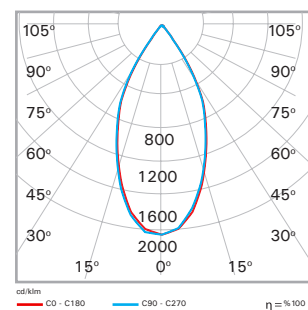


Dimensions (mm)

YV		
Ø	h	Ceiling Cut-Out Dimensions
85	55	Ø76

KR			
a	b	h	Ceiling Cut-Out Dimensions
85	85	55	76 x 76

Photometric Data



BISTA MINI ADJ YV/KR

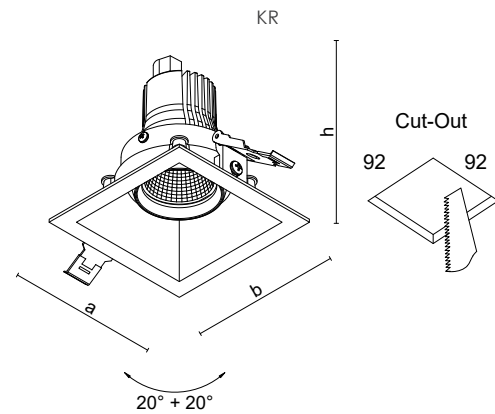
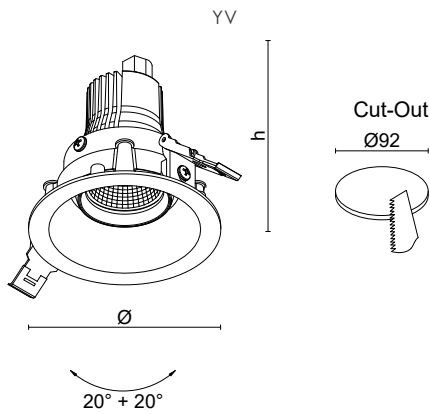
RECESSED
MOUNTED



BISTA, which has two different minimalist forms, round and square, can easily transmit light to the desired point with its steerable Housings. Bringing a breath of fresh air to architectural spaces, BISTA has selectable Housing and Reflector options. BISTA, which also has color temperature options such as warm light like 2700K or cooler 6500K, provides flexible use to the user.

Housing	Aluminium Housing
Optic	24° / 36° / 60° Reflector
Light Source	COB LED
Power Consumption	8W / 10W / 15W
Lumen	884 lm / 1080 lm / 1547 lm
Input Voltage	220-240V AC 50/60 Hz
Color Temperature	2700K / 3000K / 4000K / 6500K
CRI	>80
IP (Housing)	IP20
Mounting Type	Recessed Mounted
Housing Colour	RAL 9005 / RAL 9006 / RAL 9016

Options	
Emergency Kit	Yes (1-3 Hours)
DALI Compatibility	Yes
CRI	>90

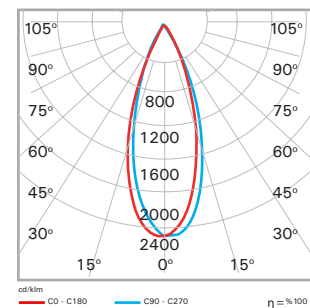


Dimensions (mm)

YV		
Ø	h	Ceiling Cut-Out Dimensions
100	115	Ø92

KR			
a	b	h	Ceiling Cut-Out Dimensions
100	100	115	92 x 92

Photometric Data



PIXA SMALL YV/KR

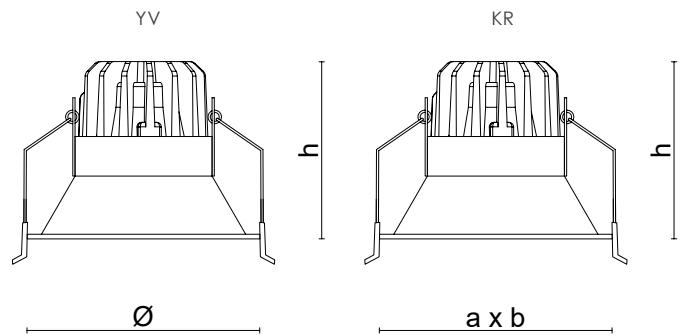
RECESSED MOUNTED



PIXA comes with two different Housing structures. Using LED Light Source, PIXA is an innovative luminaire that is energy efficient and minimizes your maintenance costs with its long service life. Thanks to its deeply positioned Light Source, it captures clear light output without creating glare. Depending on the lighting design, it has Color Temperature options such as warm light like 2700K or cooler 6500K.

Housing	Aluminium Housing
Optic	15° / 30° Reflector
Light Source	COB LED
Power Consumption	6W / 8W / 10W / 12W
Lumen YV	534 lm / 712 lm / 860 lm / 1032 lm
Input Voltage	220-240V AC 50/60Hz
Color Temperature	2700K / 3000K / 4000K / 6500K
CRI	>80
IP (Housing)	IP20
Mounting Type	Recessed Mounted
Housing Colour	RAL 9005 / RAL 9006 / RAL 9016

Options	
Emergency Kit	Yes (1-3 Hours)
DALI Compatibility	Yes
CRI	>90

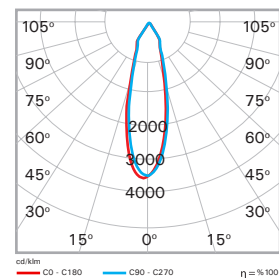


Dimensions (mm)

YV		
Ø	h	Ceiling Cut-Out Dimensions
100	90	Ø88

KR			
a	b	h	Ceiling Cut-Out Dimensions
100	100	90	88 x 88

Photometric Data



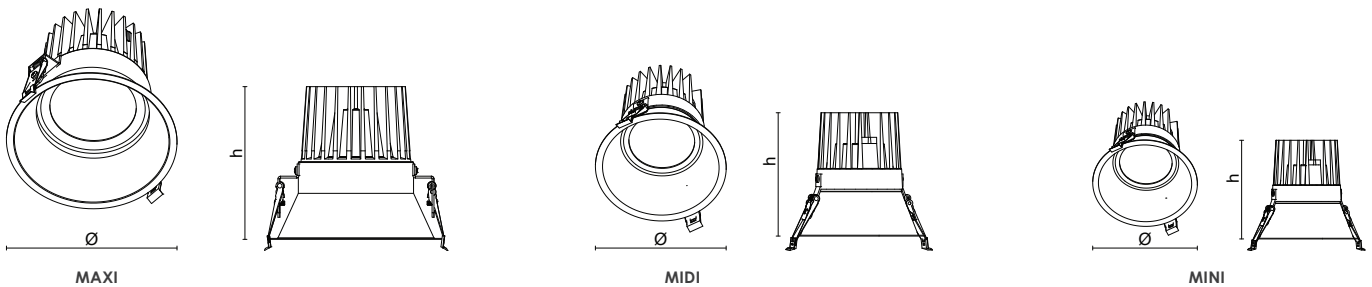
PIXA MINI/MIDI/MAXI

RECESSED MOUNTED



PIXA offers two housing options and features an energy-efficient LED light source with long service life. Its deeply positioned light source ensures clear illumination without glare. It also provides color temperature options from warm 2700K to cool 6500K.

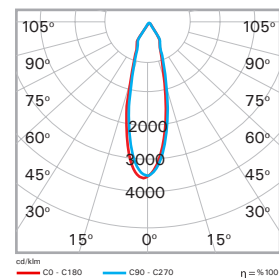
Housing	Aluminium Housing						
Optic	15° / 30° / 45° Reflector						
Light Source	COB LED						
Power Consumption	<table border="0"> <tr> <td>MAXI</td> <td>28W / 36W</td> </tr> <tr> <td>MIDI</td> <td>20W / 27W</td> </tr> <tr> <td>MINI</td> <td>15W / 20W</td> </tr> </table>	MAXI	28W / 36W	MIDI	20W / 27W	MINI	15W / 20W
MAXI	28W / 36W						
MIDI	20W / 27W						
MINI	15W / 20W						
Lumen	<table border="0"> <tr> <td>MAXI</td> <td>2576 lm / 3260 lm</td> </tr> <tr> <td>MIDI</td> <td>1880 lm / 2484 lm</td> </tr> <tr> <td>MINI</td> <td>1455 lm / 1900 lm</td> </tr> </table>	MAXI	2576 lm / 3260 lm	MIDI	1880 lm / 2484 lm	MINI	1455 lm / 1900 lm
MAXI	2576 lm / 3260 lm						
MIDI	1880 lm / 2484 lm						
MINI	1455 lm / 1900 lm						
Input Voltage	220-240V AC 50/60Hz						
Color Temperature	2700K / 3000K / 4000K / 6500K						
CRI	>80						
IP (Housing)	IP20						
Mounting Type	Recessed Mounted						
Options							
Emergency Kit	Recessed Mounted						
CRI	>90						
DALI Compatibility	Yes						



Dimensions (mm)

Product	Housing	h	Ceiling Cut-Out Dimensions
YV MAXI	Ø178	165	Ø170
YV MIDI	Ø144	136	Ø135
YV MIDI	Ø137	125	Ø120

Photometric Data



BLADE.

RECESSED
MOUNTED

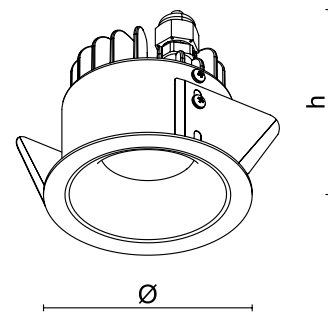


BLADE is suitable for use in narrow ceilings with a height of 8.5 cm. BLADE, which has a symmetrical light character, provides protection against dust particles with IP20 class. Creating the effect of light filtering from the ceiling to the space, BLADE provides the highest level of visual comfort.

Housing	Aluminium Housing
Optic	24° / 36° / 60° Reflector
Light Source	COB LED
Power Consumption	8W / 10W / 15W / 20W
Lumen	800 lm / 984 lm / 1405 lm / 1820 lm
Input Voltage	220-240V AC 50/60 Hz
Color Temperature	2700K / 3000K / 4000K / 6500K
CRI	>80
IP (Housing)	IP20
Mounting Type	Recessed Mounted
Housing Colour	RAL 9005 / RAL 9006 / RAL 9016

Options

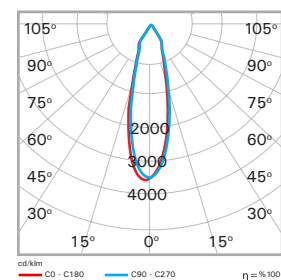
Emergency Kit	Yes (1-3 Hours)
DALI Compatibility	Yes
CRI	>90



Dimensions (mm)

Ø	h	Ceiling Cut-Out Dimensions
85	85	Ø76

Photometric Data



LORY FLAT YV-KR IP65/IP65-20

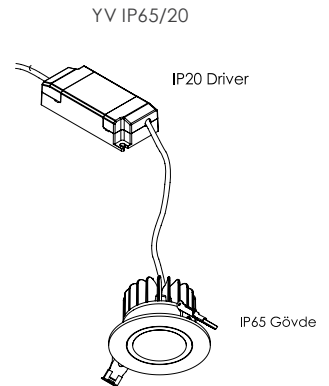
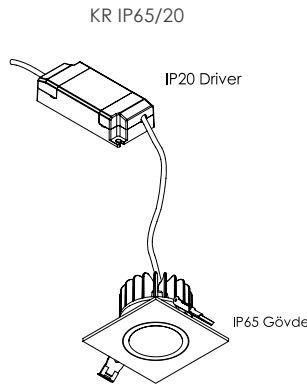
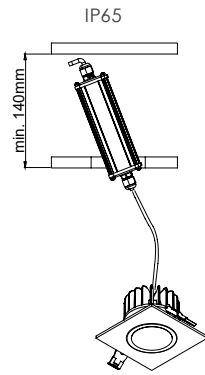
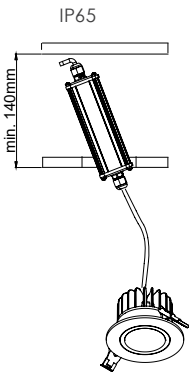
RECESSED MOUNTED



With IP65 protection class, LORY FLAT is ideal for bathrooms and humid environments. It is suitable for narrow ceiling applications with its flat and square form options. While saving money with its high light efficiency, it offers comfortable lighting without creating glare thanks to the Light Source placed 80mm deep. With its symmetrical spot effect, it creates a light effect filtering through the ceiling.

Housing	Aluminium Housing
Optic	24° / 36° / 60° Reflector
Light Source	COB LED
Power Consumption	10W / 15W / 20W
Lumen	984 lm / 1378 lm / 1820 lm
Input Voltage	220-240V AC 50/60 Hz
Color Temperature	2700K / 3000K / 4000K / 6500K
CRI	>80
IP (Housing)	IP65 - IP65/IP20 Driver
Mounting Type	Recessed Mounted
Housing Colour	RAL 9005 / RAL 9006 / RAL 9016

Options	
Emergency Kit	Yes (1-3 Hours)
DALI Compatibility	Yes
CRI	>90

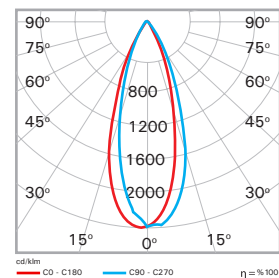


Dimensions (mm)

YV			
Ø	h	Ceiling Cut-Out Dimensions	
89	80	Ø78	

KR			
a	b	h	Ceiling Cut-Out Dimensions
90	90	80	Ø78

Photometric Data



DELTA YV/KR/IP65/IP65-20

RECESSED MOUNTED



DELTA has two different forms, round and square. It provides flexibility to the user with narrow, medium and wide Optic angles of 24° / 36° / 60°. They exhibit ideal performance in humid and dusty volumes with high IP value. DELTA, which has lensed optics, captures clear light output.

Housing	Aluminium Housing
Optic	24° / 36° / 60° Reflector
Light Source	COB LED
Power Consumption	10W / 15W / 20W
Lumen	966 lm / 1353 lm / 1780 lm
Input Voltage	220-240V AC 50/60 Hz
Color Temperature	2700K / 3000K / 4000K / 6500K
CRI	>80
IP (Housing)	IP65 - IP65/IP20 Driver
Mounting Type	Recessed Mounted
Housing Colour	RAL 9005 / RAL 9006 / RAL 9016

Options	
Emergency Kit	Yes (1-3 Hours)
DALI Compatibility	Yes
CRI	>90

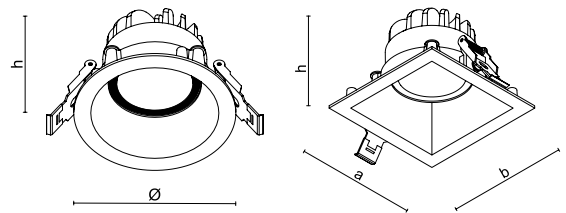
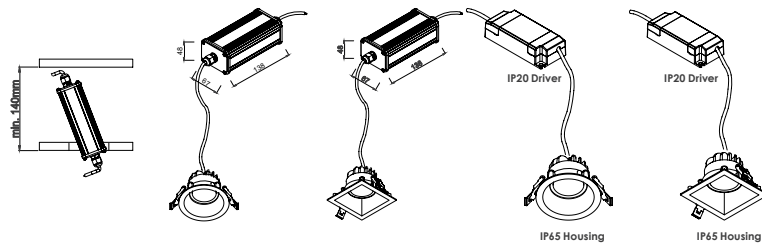


YV (IP65) and KR (IP65)

YV (IP20) and KR (IP20)

YV

KR

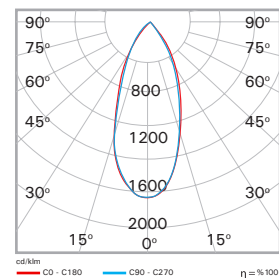


Dimensions (mm)

YV		
Ø	h	Ceiling Cut-Out Dimensions
100	85	Ø92

KR			
a	b	h	Ceiling Cut-Out Dimensions
100	100	85	92 x 92

Photometric Data



S-NAIL

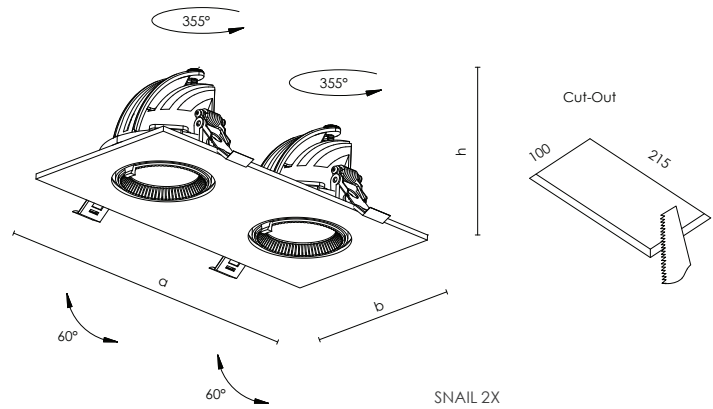
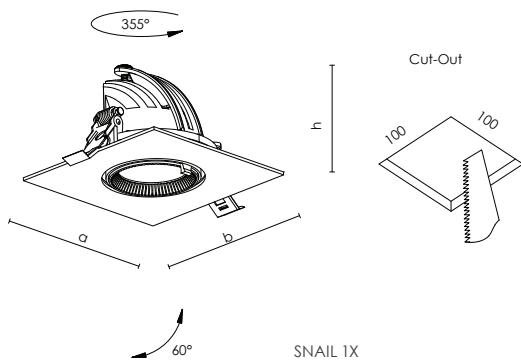
RECESSED
MOUNTED



S-NAIL is ideal for object, wall and table lighting with its aesthetic housing design and steerable housing spot mechanism. The product, which stands out with its Optic diversity and different Lumen values, is ideal for sloping ceiling applications with its mobility and steerability.

Housing	Aluminium Housing
Optic 1x	15° / 30°
Optic 2x	15° / 30°
Light Source	COB LED
Power Consumption 1x	8W / 10W
Power Consumption 2x	2x8W / 2x10W
Lumen 1x	794 lm / 992 lm
Lumen 2x	1588 lm / 1984 lm
Input Voltage	220-240V AC 50/60 Hz
Color Temperature	2700K / 3000K / 4000K / 6500K
CRI	>80
IP (Housing)	IP20
Mounting Type	Recessed Mounted
Housing Colour	RAL 9005 / RAL 9006 / RAL 9016

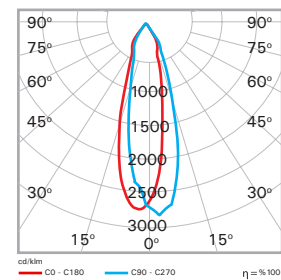
Options	
Emergency Kit	Yes (1-3 Hours)
DALI Compatibility	Yes
CRI	>90



Dimensions (mm)

	a	b	h	Ceiling Cut-Out Dimensions
S-Nail 1x	115	115	90	100x100
S-Nail 2x	230	115	90	100x215

Photometric Data

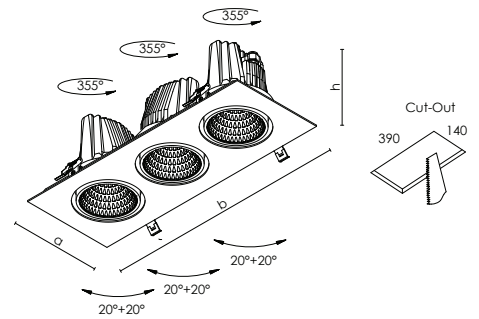
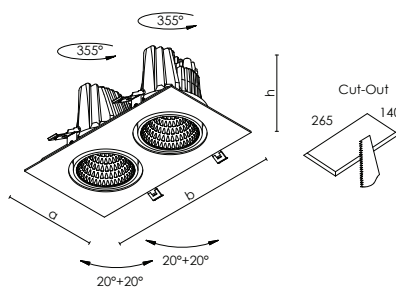
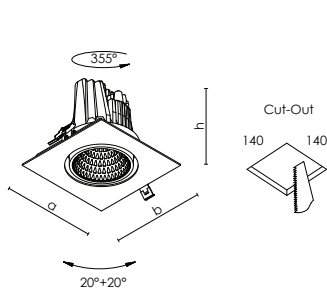




KRIZA is a professional lighting design that provides accent lighting with the face frame inside the case. Thanks to its various Reflector options, it easily offers the desired results in lighting design.

- Housing** Aluminium Housing
- Optic** 24° / 40° / 60° Reflector
- Light Source** COB LED
- Power Consumption** 2 x 20W / 2 x 28W / 2 x 36W
- Lumen** 4840 lm / 6596 lm / 8344 lm
- Input Voltage** 220-240V AC 50/60 Hz
- Color Temperature** 2700K / 3000K / 4000K / 6500K
- CRI** >80
- IP (Housing)** IP20
- Mounting Type** Recessed Mounted
- Housing Colour** RAL 9005 / RAL 9006 / RAL 9016

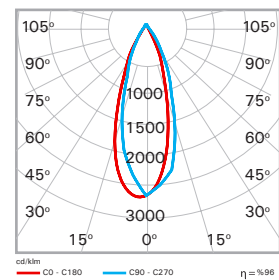
- Options**
- Emergency Kit** Yes (1-3 Hours)
- DALI Compatibility** Yes
- CRI** >90

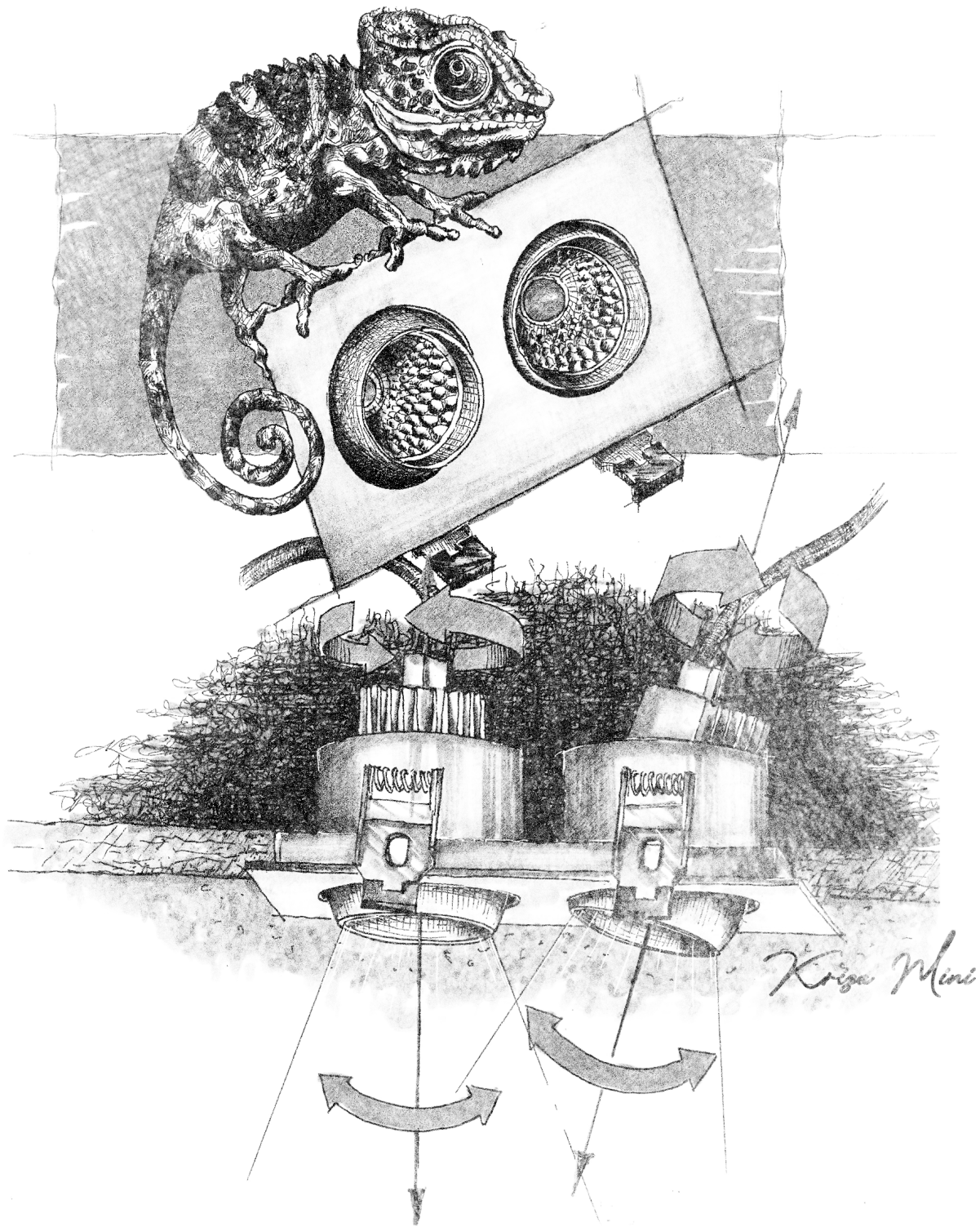


Dimensions (mm)

	a	b	h	Ceiling Cut-Out Dimensions
Kriza 1x	155	155	120	140 x 140
Kriza 2x	155	285	120	140 x 265
Kriza 3x	155	410	120	140 x 390

Photometric Data





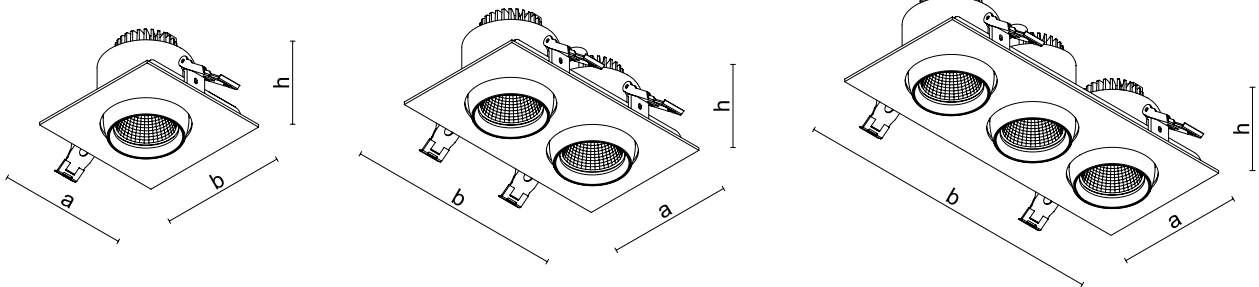
KRIZA MINI

RECESSED
MOUNTED



KRIZA MINI offers flexible lighting for residential and commercial interiors with its adjustable, glare-free design. Its deep-set LED ensures eye comfort, while customizable body and reflector colors allow for tailored combinations.

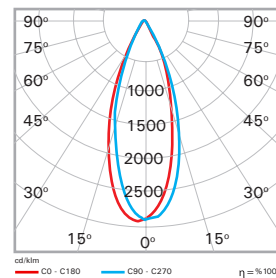
Housing	Aluminium Housing
Optic	24° / 40° / 60° Reflector
Light Source	COB LED
Power Consumption	1x 8W / 10W / 15W 2x 10W / 15W / 20W / 28W 3x 20W / 28W / 36W / 40W
Lumen	1x 853 lm / 1066 lm / 1438 lm 2x 1130 lm / 1600 lm / 2132 lm / 1956 lm 3x 2132 lm / 2985 lm / 3582 lm / 3915 lm
Input Voltage	220-240V AC 50/60 Hz
Color Temperature	2700K / 3000K / 4000K / 6500K
CRI	>80
IP (Housing)	IP20
Mounting Type	Recessed Mounted
Housing Colour	RAL 9005 / RAL 9006 / RAL 9016
Options	
Emergency Kit	Yes (1-3 Hours)
DALI Compatibility	Yes
CRI	>90



Dimensions (mm)

	a	b	h	Ceiling Cut-Out Dimensions
Kriza Mini 1x	95	95	80	87 x 87
Kriza Mini 2x	95	165	80	87 x 152
Kriza Mini 3x	95	237	80	87 x 224

Photometric Data





PLANO 1X/2X

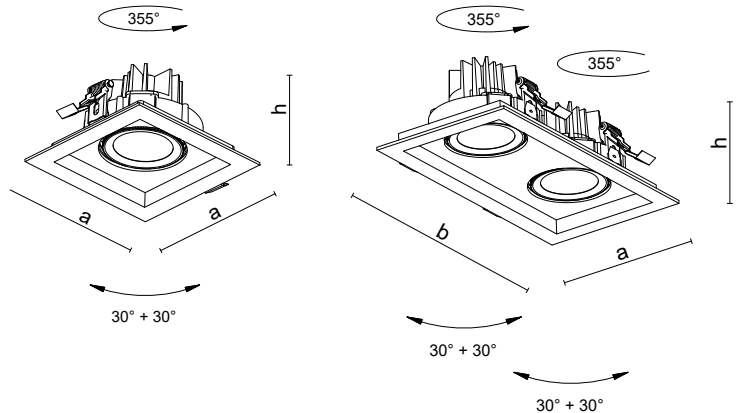
RECESSED MOUNTED



PLANO is available in single and double body options. It offers maximum performance with its optical diversity and wide lumen range. Thanks to its biaxial steerable spot mechanism feature; it is ideal for areas where spot lighting is needed such as offices, stores, showrooms and retail.

Housing	Aluminium Housing
Optic	15° / 30° Reflector
Light Source	COB LED
Power Consumption 1X	6W / 8W / 10W / 12W
Power Consumption 2X	2x6 W / 2x8 W / 2x10 W / 2x12 W
Lumen 1X	594 lm / 794 lm / 992 lm / 1192 lm
Lumen 2X	1188 lm / 1588 lm / 1984 lm / 2384 lm
Input Voltage	220-240V AC 50/60 Hz
Color Temperature	2700K / 3000K / 4000K / 6500K
CRI	>80
IP (Housing)	IP20
Mounting Type	Recessed Mounted
Housing Colour	RAL 9005 / RAL 9006 / RAL 9016

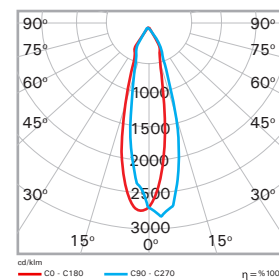
Options	
Emergency Kit	Yes (1-3 Hours)
DALI Compatibility	Yes
CRI	>90



Dimensions (mm)

	a	b	h	Ceiling Cut-Out Dimensions
Plano 1x	121	121	75	110 x 110
Plano 2x	121	231	75	215 x 110

Photometric Data



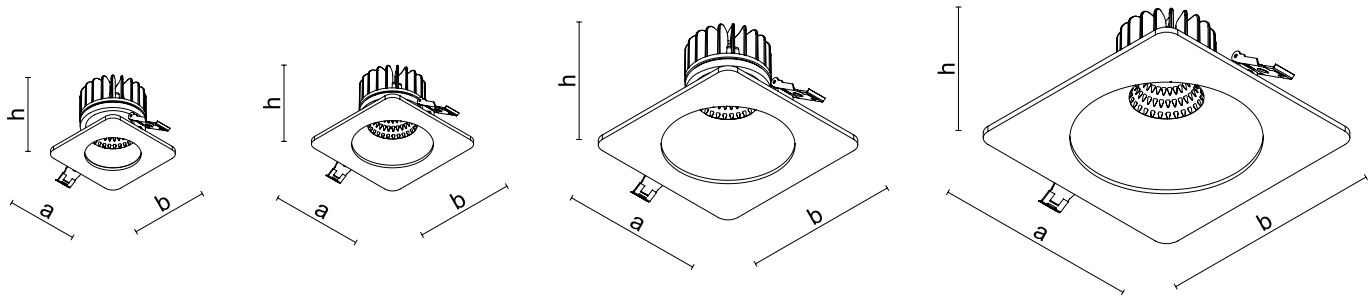
SQUARE

RECESSED MOUNTED



SQUARE combines the advantages of high performance LED technology, energy saving, optical quality and visual comfort. It is a solution-oriented spotlight with four different sizes. Thanks to its deeply positioned LED source, it provides a clear light output and provides eye-friendly lighting. Available in various body and reflector colors, SQUARE enables various combinations for the user.

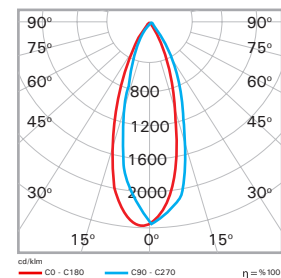
Housing	Aluminium Housing
Optic	24° / 36° / 60° Reflector
Light Source	COB LED
Power Consumption	8W / 10W / 15W / 20W
Lumen	904 lm / 1120 lm / 1587,6 lm / 2040 lm
Input Voltage	220-240V AC 50/60 Hz
Color Temperature	2700K / 3000K / 4000K / 6500K
CRI	>80
IP (Housing)	IP20
Mounting Type	Recessed Mounted
Housing Colour	RAL 9005 / RAL 9006 / RAL 9016
Options	
Emergency Kit	Yes (1-3 Hours)
DALI Compatibility	Yes
CRI	>90
Color Option	Frame and Reflector Color Variable



Dimensions (mm)

	a	b	h	Ceiling Cut-Out Dimensions
Square 90 x 90	90	90	95	Ø76
Square 115 x 115	115	115	95	Ø102
Square 140 x 140	140	140	115	Ø127
Square 170 x 170	170	170	105	Ø152

Photometric Data



ROUND

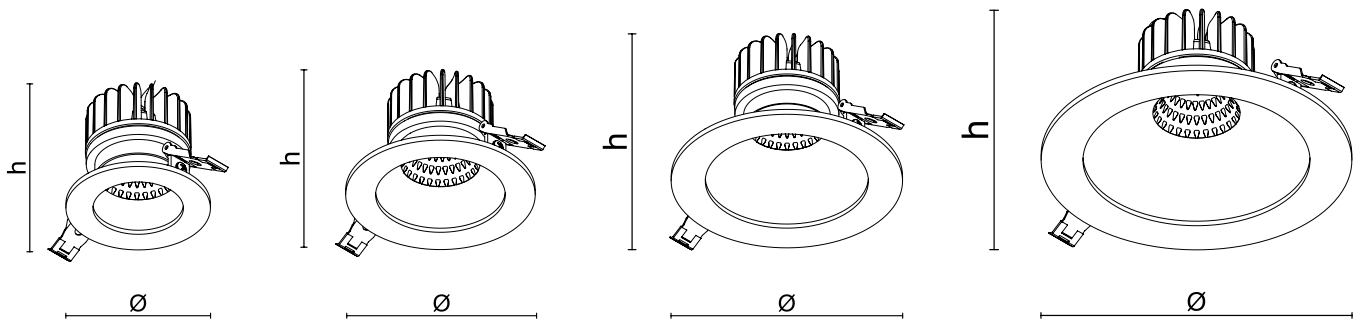


RECESSED MOUNTED

ROUND is equipped with advanced LED technology. The round shape is available in four different body sizes. Deeply positioned reflectors provide a softer light output. It enables various combinations with optional body and reflector colors. With its high luminous efficiency, it provides significant savings compared to conventional lighting.

Housing	Aluminium Housing
Optic	24° / 36° / 60° Reflector
Light Source	COB LED
Power Consumption	8W / 10W / 15W / 20W
Lumen	904 lm / 1120 lm / 1587,6 lm / 2040 lm
Input Voltage	220-240V AC 50/60 Hz
Color Temperature	2700K / 3000K / 4000K / 6500K
CRI	>80
IP (Housing)	IP20
Mounting Type	Recessed Mounted
Housing Colour	RAL 9005 / RAL 9006 / RAL 9016

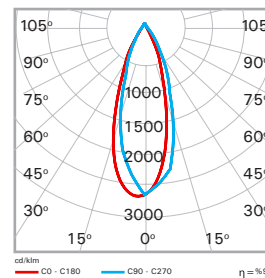
Options	
Emergency Kit	Yes (1-3 Hours)
DALI Compatibility	Yes
CRI	>90
Color Option	Frame and Reflector Color Variable

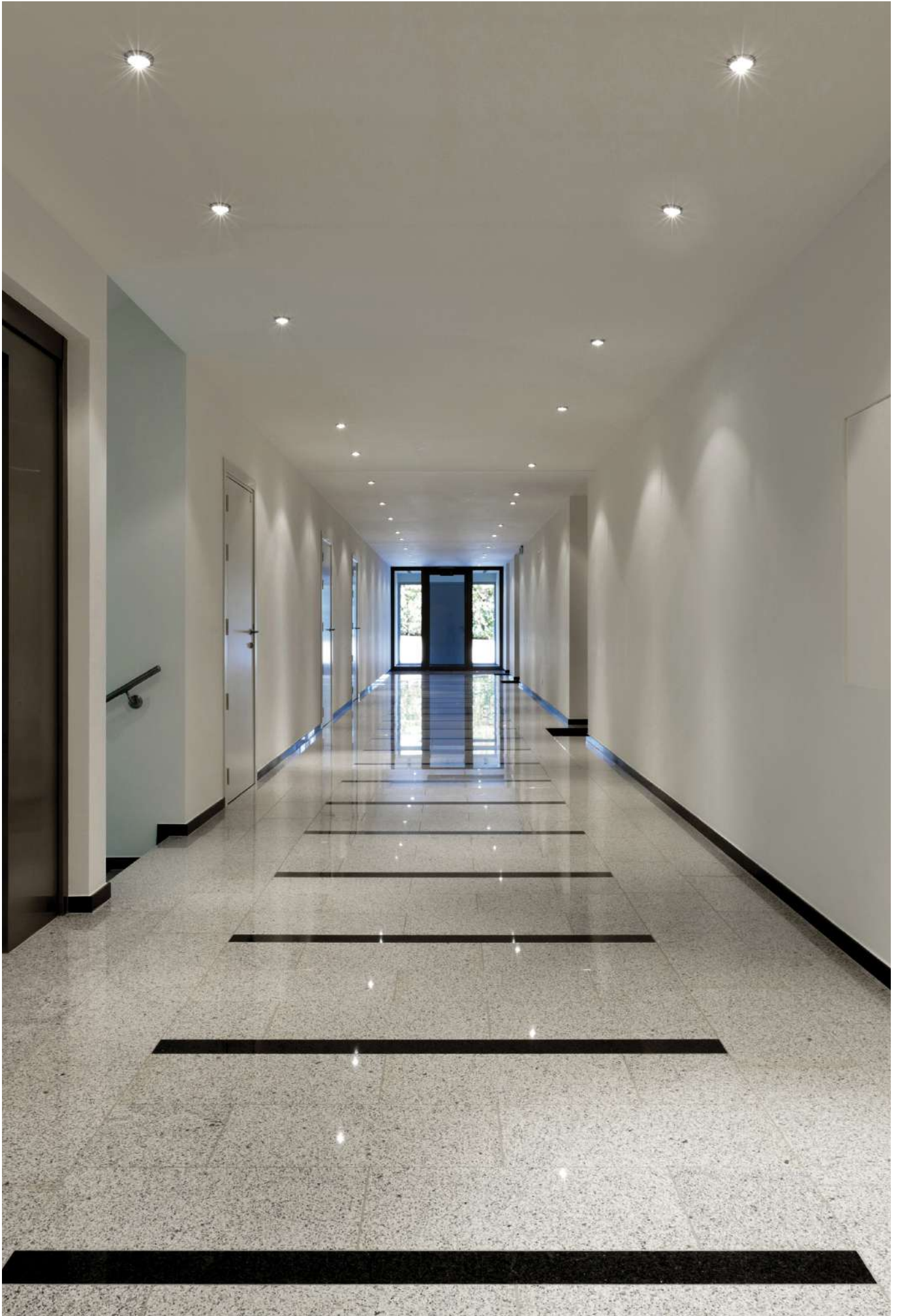


Dimensions (mm)

	Ø	h	Ceiling Cut-Out Dimensions
Round Ø87	87	95	Ø76
Round Ø114	114	95	Ø102
Round Ø139	139	110	Ø127
Round Ø169	169	105	Ø152

Photometric Data





BISTA ADJ IP65/IP20 YV/KR

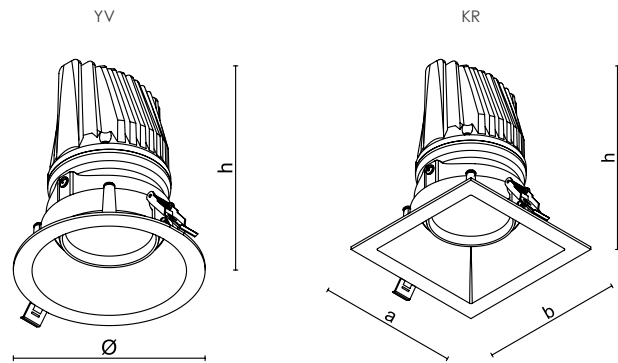
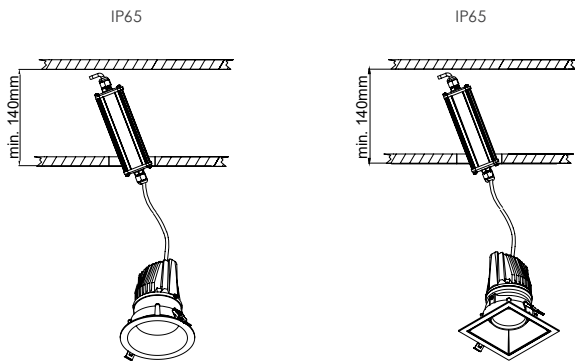
RECESSED MOUNTED



With its steerable body available in square and round forms, BISTA captures clear light output without creating glare with its deeply positioned light source. With its omni-directional biaxial spot mechanism, it is ideal for retail environments where accent lighting is needed.

Housing	Aluminium Housing
Optic	24° / 40° / 60° Reflector
Light Source	COB LED
Power Consumption	20W / 28W / 36W
Lumen	2420 lm / 3330 lm / 4175 lm
Input Voltage	220-240V AC 50/60 Hz
Color Temperature	2700K / 3000K / 4000K / 6500K
CRI	>80
IP (Housing)	IP65/IP20 Housing - IP65/IP20 Driver
Mounting Type	Recessed Mounted
Housing Colour	RAL 9005 / RAL 9006 / RAL 9016

Options	
Emergency Kit	Yes (1-3 Hours)
DALI Compatibility	Yes
CRI	>90

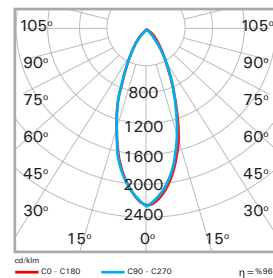


Dimensions (mm)

YV	Ø	h	Ceiling Cut-Out Dimensions
	140	165	Ø124

KR	a	b	h	Ceiling Cut-Out Dimensions
	137	137	165	124 x 124

Photometric Data



BISTA SBT YV/KR

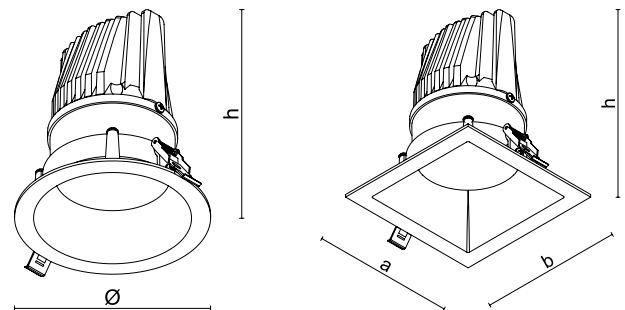
RECESSED
MOUNTED



Designed in round and square forms, BISTA is the ideal choice for accent lighting with its fixed body. Thanks to its deep light source, it minimizes the glare that may occur in the environment and maximizes visual comfort.

Housing	Aluminium Housing
Optic	24° / 40° / 60° Reflector
Light Source	COB LED
Power Consumption	20W / 28W / 36W
Lumen	2420 lm / 3330 lm / 4175 lm
Input Voltage	220-240V AC 50/60 Hz
Color Temperature	2700K / 3000K / 4000K / 6500K
CRI	>80
IP (Housing)	IP20
Mounting Type	Recessed Mounted
Housing Colour	RAL 9005 / RAL 9006 / RAL 9016

Options	
Emergency Kit	Yes (1-3 Hours)
DALI Compatibility	Yes
CRI	>90

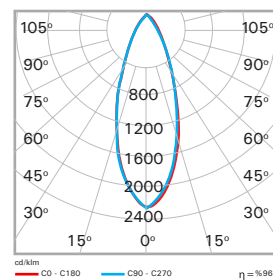


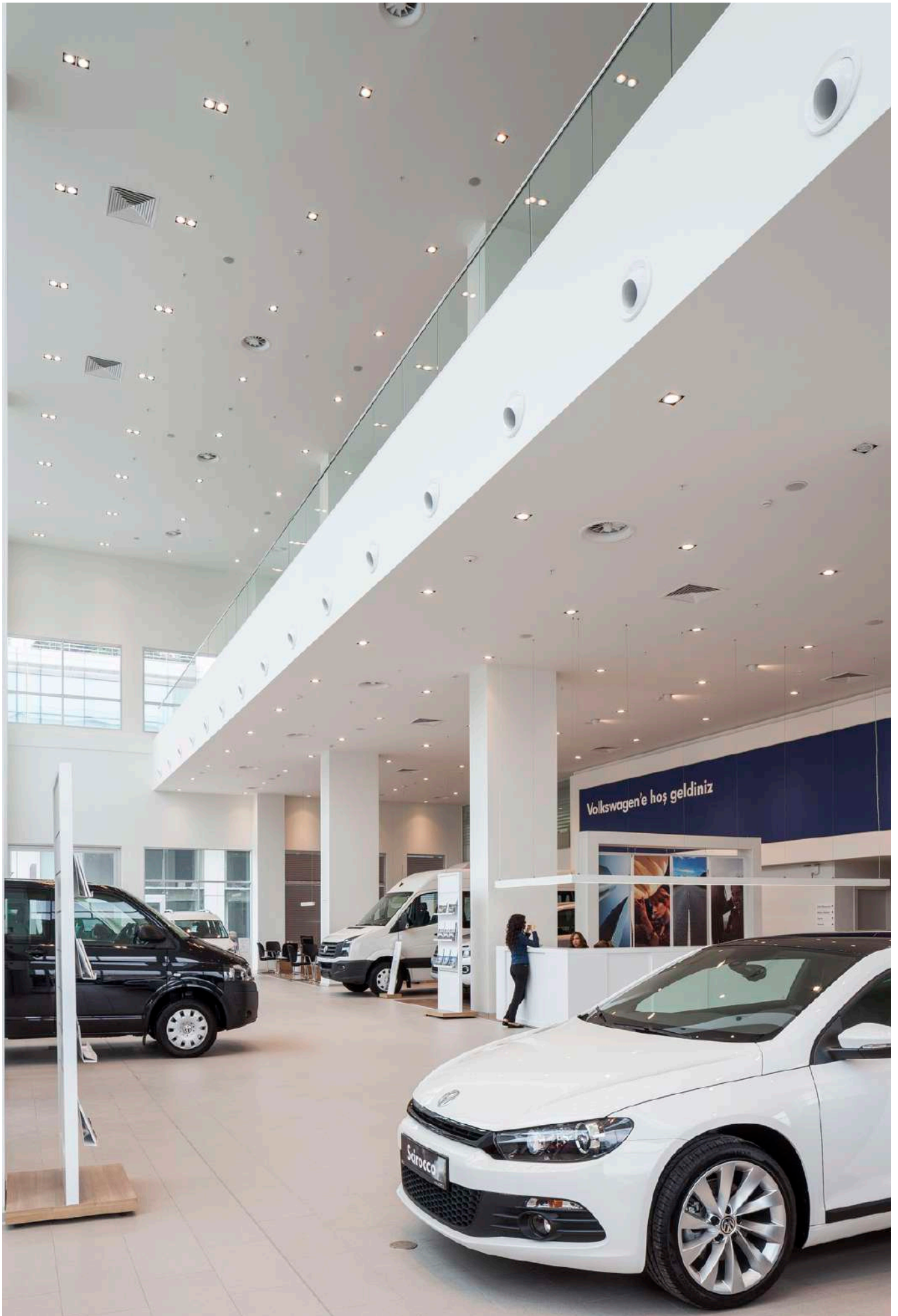
Dimensions (mm)

YV	Ø	h	Ceiling Cut-Out Dimensions
	140	160	Ø124

KR	a	b	h	Ceiling Cut-Out Dimensions
	137	137	160	124 x 124

Photometric Data





S-NAIL MINI/MIDI/MAXI

RECESSED
MOUNTED

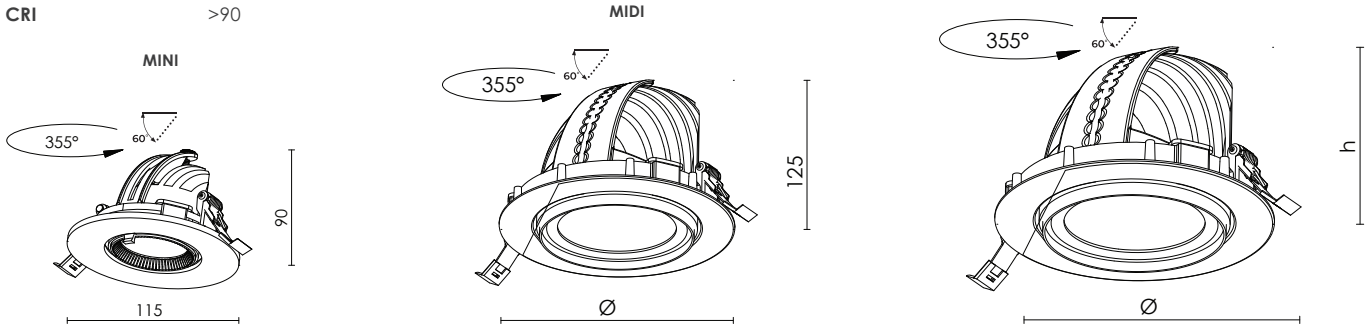


Designed according to the latest trends, S-NAIL is ideal for lighting objects, walls, paintings etc. with its aesthetic body designs and spot mechanism. It stands out with its optical diversity and different lumen values. It can be used effectively in sloping ceiling applications thanks to its steerability.

Housing	Aluminium Housing
Optic	
Mini	15° / 30° Reflector
Midi	15° / 30° / 45° Reflector
Maxi	15° / 30° / 45° / 60° Reflector
Light Source	COB LED
Power Consumption	
Mini	8W / 10W
Midi	20W / 30W
Maxi	20W / 30W
Lumen	
Mini	794 lm / 992 lm
Midi	2017 lm / 3026 lm
Maxi	2017 lm / 3026 lm
Input Voltage	220-240V AC 50/60 Hz
Color Temperature	2700K / 3000K / 4000K / 6500K
CRI	>80
IP (Housing)	IP20
Mounting Type	Recessed Mounted
Housing Colour	RAL 9005 / RAL 9006 / RAL 9016



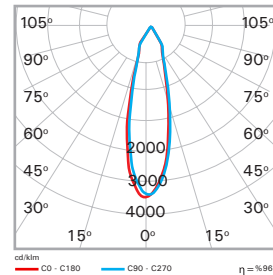
Options	
Emergency Kit	Yes (1-3 Hours)
DALI Compatibility	Yes
CRI	>90



Dimensions (mm)

Product	Ø	h	Ceiling Cut-Out Dimensions
S-Nail Mini	115	85	Ø100
S-Nail Midi	153	125	Ø145
S-Nail Maxi	185	146	Ø170

Photometric Data



VENO IP65

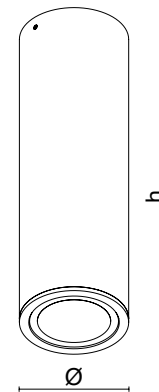
SURFACE MOUNTED



VENO is designed based on a cylinder form. It has a simple design and decorative character. VENO allows rhythmic and creative templates to be created during the application phase of projects. Designed according to different height measurements, VENO creates a new atmosphere in architectural spaces by providing its decorative contribution to concept projects.

Housing	Aluminium Housing
Optic	24° / 36° / 60° Reflector
Light Source	COB LED
Power Consumption	8W / 10W / 15W
Lumen	800 lm / 1000 lm / 1522 lm
Input Voltage	220-240V AC 50/60 Hz
Color Temperature	2700K / 3000K / 4000K / 6500K
CRI	>80
IP (Housing)	IP65
Mounting Type	Surface Mounted
Housing Colour	RAL 9005 / RAL 9006 / RAL 9016

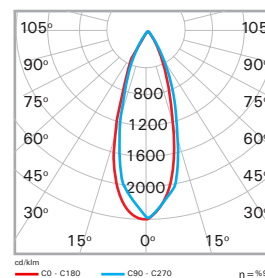
Options	
Emergency Kit	None
DALI Compatibility	Yes
CRI	>90



Dimensions (mm)

Product	Ø	h
Veno 220	70	220

Photometric Data



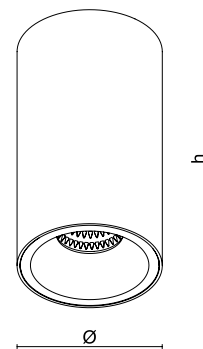


VENO is designed based on a cylinder form. It has a simple design and decorative character. VENO allows rhythmic and creative templates to be created during the application phase of projects. Designed according to different height measurements, VENO creates a new atmosphere in architectural spaces by providing its decorative contribution to concept projects.

Housing	Aluminium Housing
Optic	15° / 30°
Light Source	COB LED
Power Consumption	6W / 8W / 10W / 12W
Lumen	596 lm / 794 lm / 992 lm / 1192 lm
Input Voltage	220-240V AC 50/60 Hz
Color Temperature	2700K / 3000K / 4000K / 6500K
CRI	>80
IP (Housing)	IP20
Mounting Type	Surface Mounted
Housing Colour	RAL 9005 / RAL 9006 / RAL 9016

Options

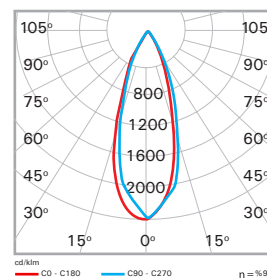
Emergency Kit	None
DALI Compatibility	Yes (Except Veno 180)
CRI	>90



Dimensions (mm)

	Ø	h
Veno 180	100	180
Veno 240	100	240
Veno 425	100	425

Photometric Data



LUP KR/YV

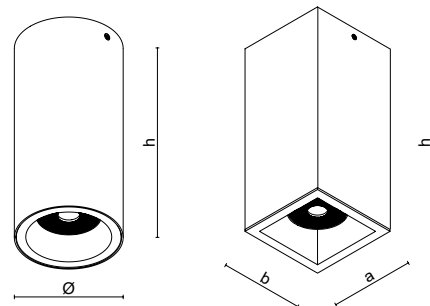
SURFACE MOUNTED



Designed in two configurations, round and square, LUP adds an elegant atmosphere to your spaces by addressing a wide range of uses from hotels to offices, hospitals to residences. It provides the right light distribution by combining multiple power, light color, angle and control combinations with alternatives suitable for different areas. Its lenses can be easily replaced where it is mounted according to the required light angle.

Housing	Aluminium Housing
Optic	24° / 36° / 60° Reflector
Light Source	COB LED
Power Consumption	8W / 10W / 15W
Lumen	838 lm / 1028 lm / 1411 lm
Input Voltage	220-240V AC 50/60 Hz
Color Temperature	2700K / 3000K / 4000K / 6500K
CRI	>80
IP (Housing)	IP20
Mounting Type	Surface Mounted
Housing Colour	RAL 9005 / RAL 9006 / RAL 7016

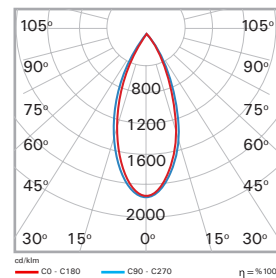
Options	
Emergency Kit	None
DALI Compatibility	Yes (Except h:120)
CRI	>90



Dimensions (mm)

KR	YV	h	Standard Driver	DALI
80 x 80	Ø85	120	Yes	None
		180	Yes	Yes
		240	Yes	Yes
		300	Yes	Yes

Photometric Data



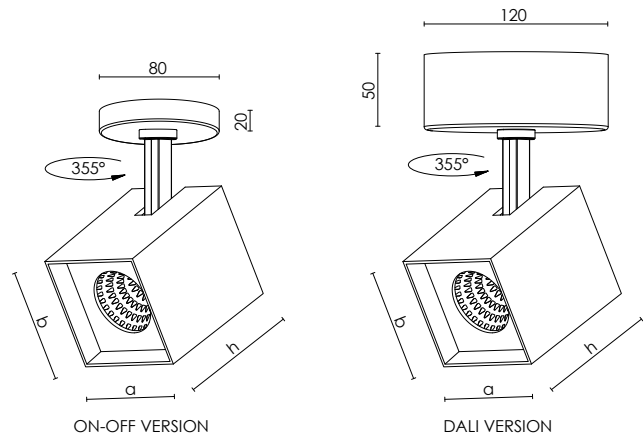


ART, which has a modern and stylish design with its aesthetically pleasing square-shaped housing, is an economical surface-mounted luminaire. ART, which has an orientable body, can be redirected towards the desired location as needed.

Housing	Aluminium Housing
Optic	24° / 36° / 60° Reflector
Light Source	COB LED
Power Consumption	8W / 10W / 15W
Lumen	808 lm / 980 lm / 1440 lm
Input Voltage	220-240V AC 50/60 Hz
Color Temperature	2700K / 3000K / 4000K / 6500K
CRI	>80
IP (Housing)	IP20
Mounting Type	Surface Mounted
Housing Colour	RAL 9005 / RAL 9006 / RAL 9016

Options

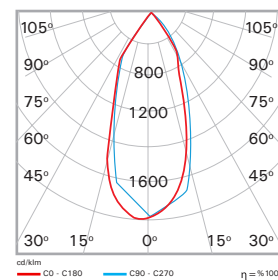
Emergency Kit	None
DALI Compatibility	Yes
CRI	>90



Dimensions (mm)

	a x b	Ø	h	h1
Standard	80 x 80	80	100	20
DALI	80 x 80	120	100	50

Photometric Data



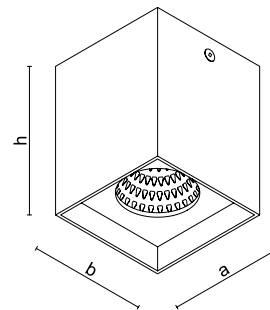


ART is an economical recessed mounted luminaire with a modern and stylish design with its aesthetically pleasing square-shaped case. It is robust and durable thanks to its aluminum body. ART, which can be offered with different color temperature options, provides lighting at the desired intensity thanks to its dimmable feature.

Housing	Aluminium Housing
Optic	24° / 36° / 60° Reflector
Light Source	COB LED
Power Consumption	8W / 10W / 15W
Lumen	808 lm / 980 lm / 1440 lm
Input Voltage	220-240V AC 50/60 Hz
Color Temperature	2700K / 3000K / 4000K / 6500K
CRI	>80
IP (Housing)	IP20
Mounting Type	Surface Mounted
Housing Colour	RAL 9005 / RAL 9006 / RAL 9016

Options

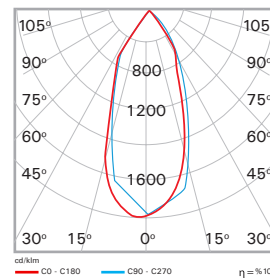
Emergency Kit	None
DALI Compatibility	None
CRI	>90



Dimensions (mm)

a	b	h
80	80	100

Photometric Data



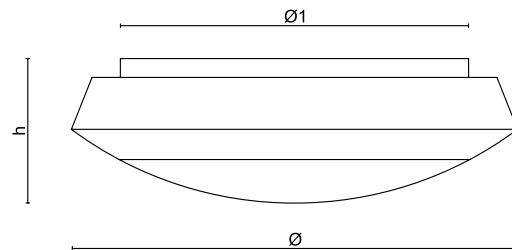


ORION, which stands out with its new generation and user-friendly LED infrastructure, is ideal for illuminating areas such as stairwells, corridors, technical volumes, warehouses, etc. ORION, which is in IP66 protection class, can be used reliably in humid volumes. In addition to its elegant appearance with its simple design, it achieves a more homogeneous illumination by softening the sharp light output with its opal diffuser.

Housing	Polycarbonate Housing
Optic	Opal Diffuser
Light Source	Mid Power LED
Power Consumption	18W
Lumen	2100 lm
Input Voltage	220-240V AC 50/60 Hz
Color Temperature	3000K / 4000K / 6500K
CRI	>80
IP (Housing)	IP66
Mounting Type	Surface Mounted
Housing Colour	RAL 9003

Options

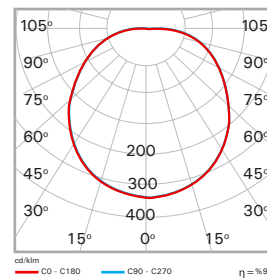
Emergency Kit	Yes (1-3 Hours)
DALI Compatibility	Yes
Sensor	Yes (Scanning Area 4x4 mt.)



Dimensions (mm)

Ø	h	Ø1
350	118	260

Photometric Data



SATURN V4

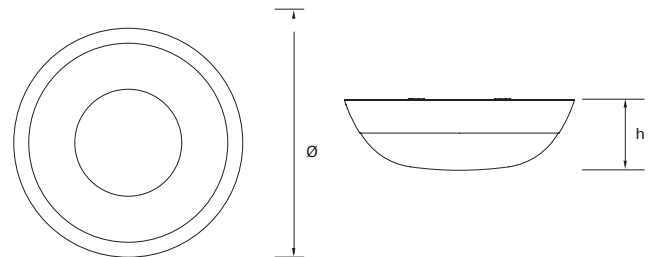
SURFACE MOUNTED



SATURN is a timeless lighting design that provides the user with functional usage possibilities with its minimal design. With its LED light source with 16W power consumption, it is both energy efficient and can adapt to any project where an economic solution is needed. Motion sensor and emergency kits can be preferred according to the user's request. Ideal for illuminating areas such as stairwells, corridors, technical volumes, warehouses, etc.

Housing	Aluminium Housing
Optic	Opal Diffuser
Light Source	Mid Power LED
Power Consumption	16W
Lumen	1549 lm
Input Voltage	220-240V AC 50/60 Hz
Color Temperature	3000K / 4000K / 5700K
CRI	>80
IP (Housing)	IP65
Mounting Type	Surface Mounted
Housing Colour	RAL 9016

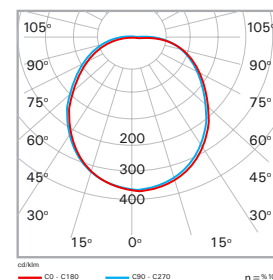
Options	
Emergency Kit	Yes (1-3 Hours)
DALI Compatibility	Yes
Sensor	Yes (Scanning Area 4x4 mt.)



Dimensions (mm)

Power	Ø	h
18W	327.5	103

Photometric Data



GLOP IP54

SURFACE MOUNTED



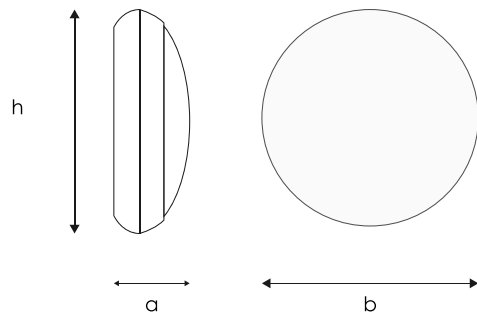
GLOP, which stands out with its new generation and user-friendly LED infrastructure, is ideal for lighting areas such as stairwells, corridors, technical volumes, warehouses, etc. GLOP, which is in IP54 protection class, can be used reliably in humid volumes. In addition to its elegant appearance with its simple design, it achieves a more homogeneous illumination by softening the sharp light output with its Opal Diffuser.

Housing	Polycarbonate Housing
Optic	Opal Diffuser
Light Source	Mid Power LED
Power Consumption	18W
Lumen	1422 lm
Input Voltage	220-240V AC 50/60 Hz
Color Temperature	3000K / 4000K / 6500K
CRI	>80
IP (Housing)	IP54
Mounting Type	Surface Mounted
Housing Colour	RAL 9003

Options

Emergency Kit	Yes (1-3 Hours)
DALI Compatibility	None
Sensor	Yes

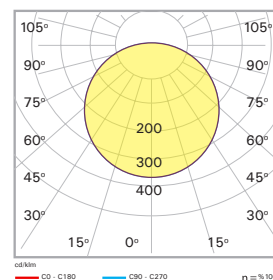
Note Don't install while the line has energized



Dimensions (mm)

Power	a	b	h
18W	78	270	270

Photometric Data



GLOP IP65

SURFACE MOUNTED



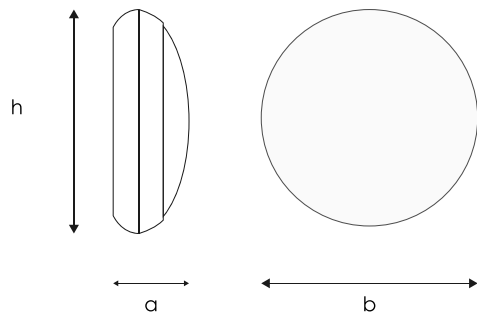
GLOP offers energy-efficient and long-lasting lighting with 18W LED Light Source. IP65 protection class, Emergency Kit and motion Sensor Options increase functionality. With its Surface Mounted installation and modern design, it is ideal for corridors, warehouses and technical areas.

Housing	Polycarbonate Housing
Optic	Opal Diffuser
Light Source	Mid Power LED
Power Consumption	18W
Lumen	1670 lm
Input Voltage	220-240V AC 50/60 Hz
Color Temperature	3000K / 4000K / 6500K
CRI	>80
IP (Housing)	IP65
Mounting Type	Surface Mounted
Housing Colour	RAL 9003

Options

Emergency Kit	Yes (1-3 Hours)
DALI Compatibility	None
Sensor	Yes

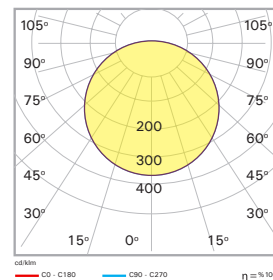
Note Don't install while the line has energized



Dimensions (mm)

Power	a	b	h
18W	95	280	280

Photometric Data



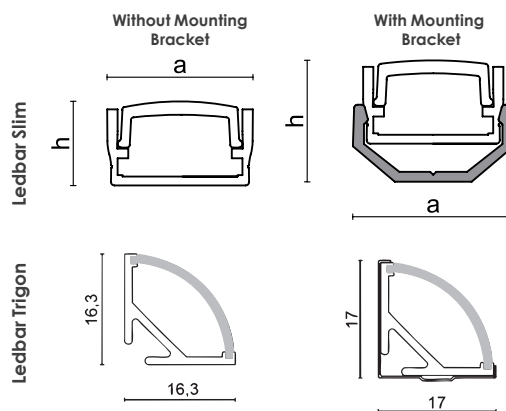
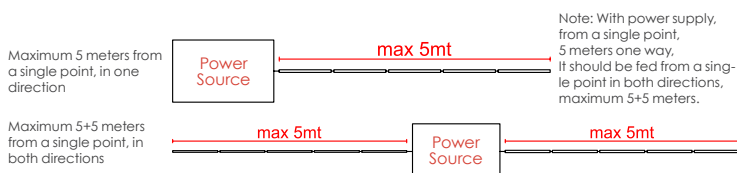
LEDBAR SLIM/TRIGON 60-120



LEDBAR SLIM, the perfect choice for cove lighting applications, is available in 60 LEDs per meter and 120 LEDs per meter in different sizes. It has color temperature options such as warm light like 2700K or cooler 6500K.

Housing	Aluminium Housing		
Optic	Opal Polycarbonate Diffuser		
Light Source	SMD LED		
Power Consumption	Watt	Length	Lumen (lm)
	4W	30 cm	300 lm
	6W	40 cm	450 lm
	7W	50 cm	525 lm
	9W	60 cm	675 lm
	10W	70 cm	750 lm
	12W	80 cm	900 lm
	13W	90 cm	975 lm
	15W	100 cm	1050 lm
	16W	110 cm	1200 lm
	17W	120 cm	1275 lm
	19W	130 cm	1425 lm
	20W	140 cm	1500 lm
	22W	150 cm	1650 lm
Input Voltage	220-240V AC 50/60 Hz		
Color Temperature	2700K / 3000K / 4000K / 6500K		
CRI	>80		
IP (Housing)	IP20		
Mounting Type	Cove		
Housing Colour	Eloxal		

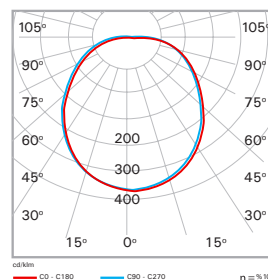
Options	
Emergency Kit	Yes (1-3 Hours) (External)
Driver & DALI	On/Off - DALI (External)
CRI	>90



Dimensions (mm)

Ledbar Slim			Ledbar Trigon		
Without Mounting Bracket	With Mounting Bracket		Without Mounting Bracket	With Mounting Bracket	
Boy	a x b	a x b	Boy	a x b	a x b
310			310		
410			410		
510			510		
605			605		
705			705		
805			805		
905	14,7 x 8,5	16,2 x 12,3	905	16,3 x 16,3	17 x 17
1000			1000		
1100			1100		
1200			1200		
1300			1300		
1400			1400		
1500			1500		

Photometric Data



FLEXBAR

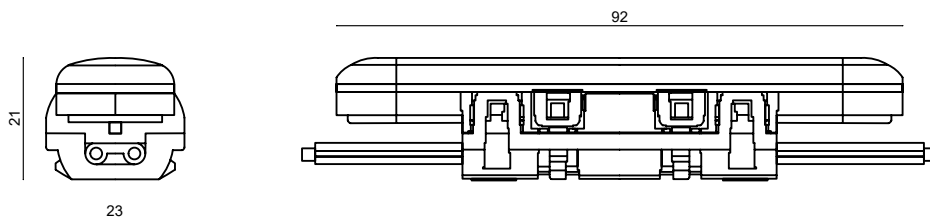


FLEXBAR is a cove light LED lighting that gives interiors an effective and useful appearance. With its flexible structure, it provides ease of installation on variable surfaces and offers economy and long-lasting use thanks to its simple design. FLEXBAR, which has a modular structure, allows the number of modules to be increased or decreased and different lumen values can be obtained.

Housing	Plastic Injection Housing
Optic	Transparent Diffuser
Light Source	Mid Power LED
Power Consumption	3W / 4W / 5W / 6W / 7W / 8W / 9W / 10W / 12W / 15W
Lumen	436 lm / 545 lm / 654 lm / 763 lm / 872 lm / 981 lm / 1060 lm / 1484 lm / 1696 lm / 1908 lm
Input Voltage	220-240V AC 50/60 Hz
Color Temperature	2700K / 3000K / 4000K / 6500K
CRI	>80
IP (Housing)	IP20
Mounting Type	Cove
Housing Colour	RAL 9016

Options

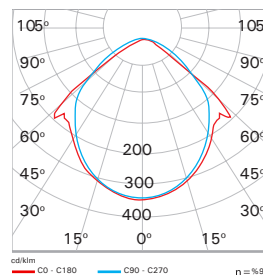
Emergency Kit	Yes (1-3 Hours) (External)
Driver	On/Off - DALI (External)
Quantity Options	1m / 5m / 10m
Module Options	4 / 5 / 6 / 7 / 8 / 9 / 10



Dimensions (mm)

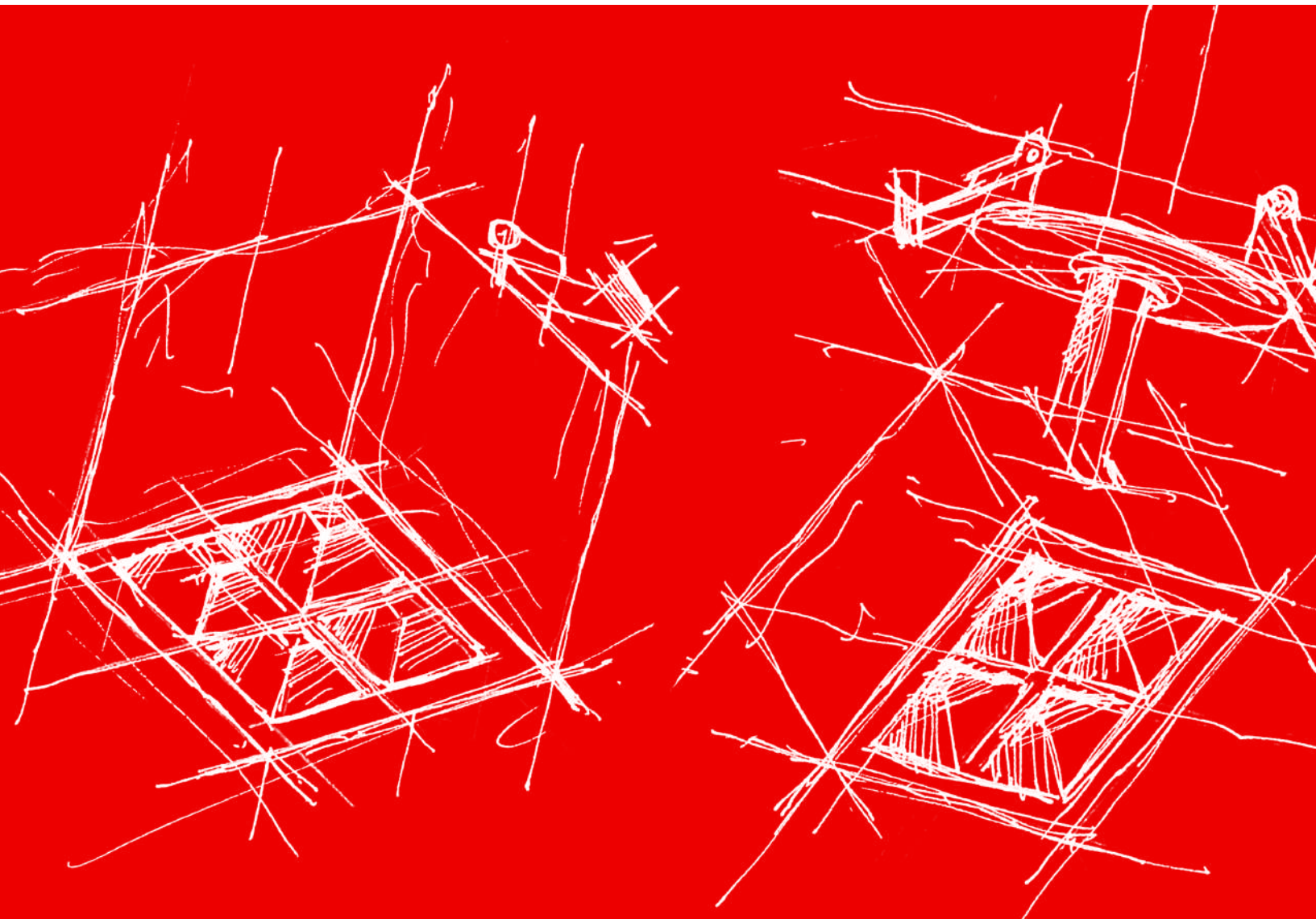
a	b	h
23	92	21

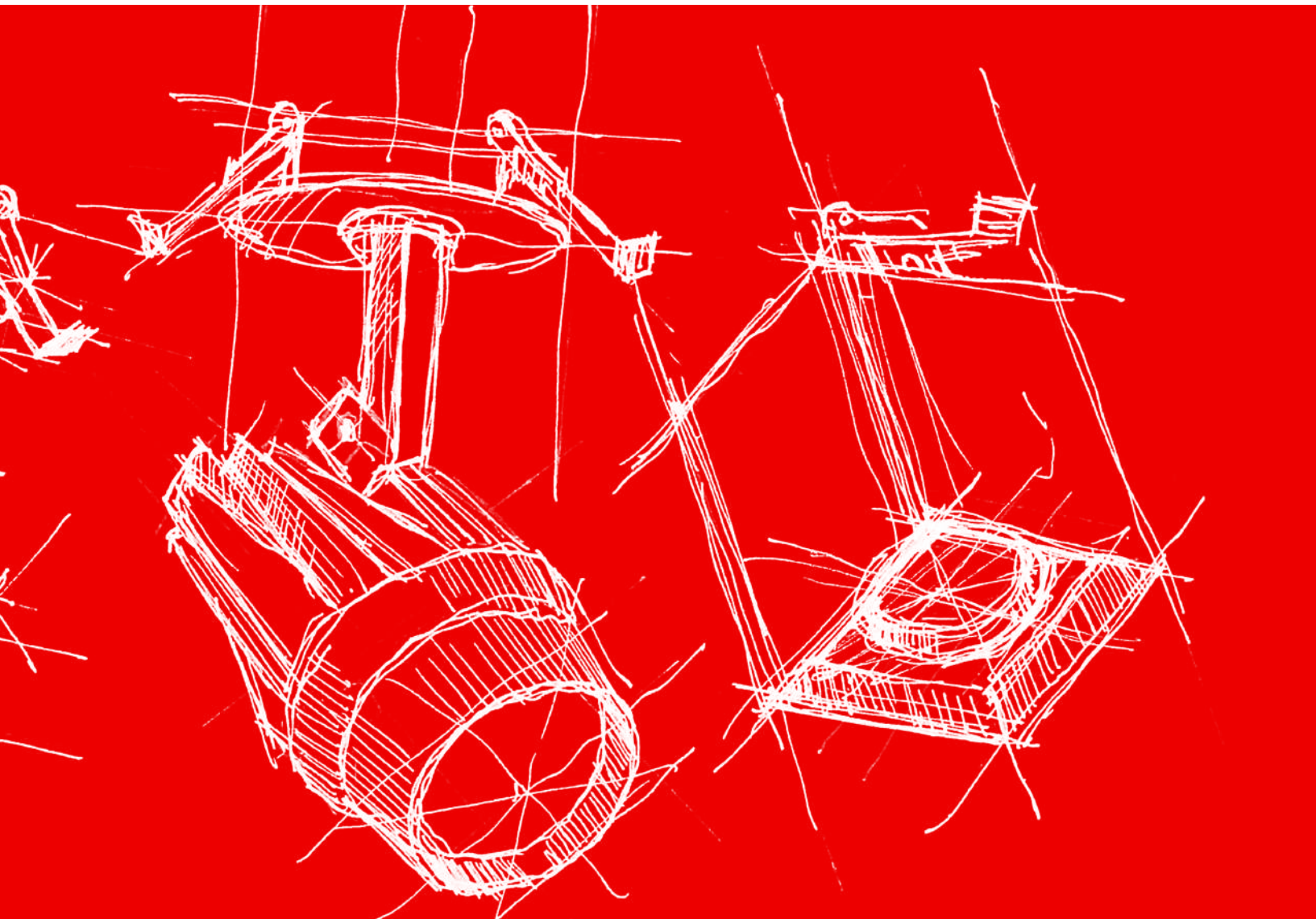
Photometric Data



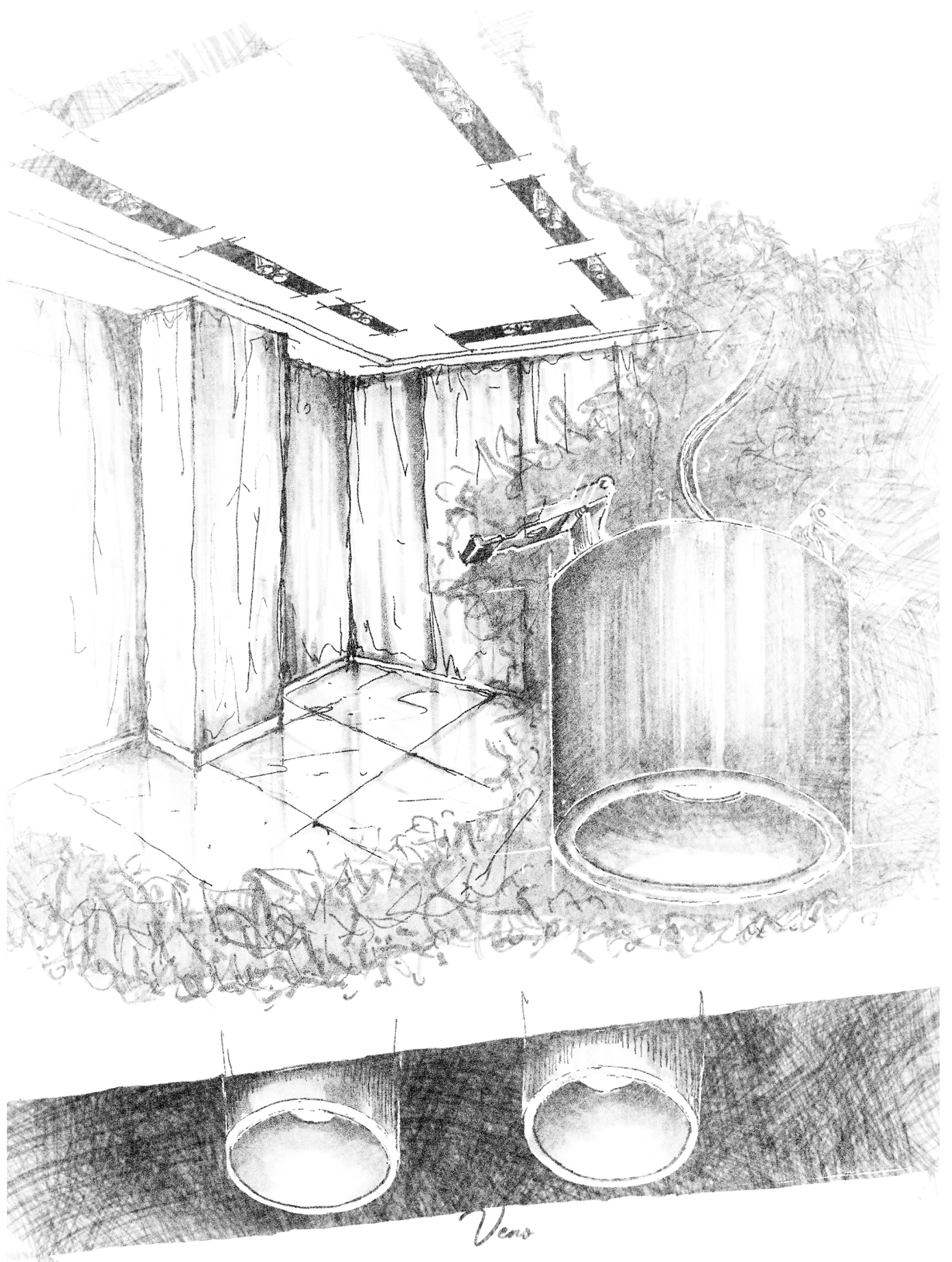








Semi Recessed Mounted Luminaires

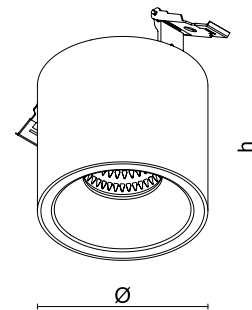




VENO V5 brings a stylish touch to your spaces with its cylindrical and minimal design. Thanks to its high luminous efficiency, it provides significant savings compared to conventional lighting. The reflector and its surroundings can be colored separately upon request.

Housing	Aluminium Housing
Optic	24° / 36° / 60° Reflector
Light Source	COB LED
Power Consumption	8W / 10W / 15W
Lumen	856 lm / 1060 lm / 1575 lm
Input Voltage	220-240V AC 50/60 Hz
Color Temperature	2700K / 3000K / 4000K / 6500K
CRI	>80
IP (Housing)	IP20
Mounting Type	Semi Recessed Mounted
Housing Colour	RAL 9005 / RAL 9006 / RAL 9016

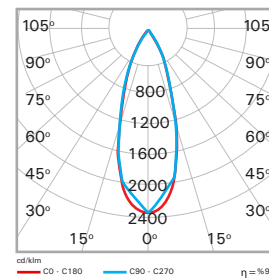
Options	
Emergency Kit	Yes (1-3 Hours)
DALI Compatibility	Yes
CRI	>90



Dimensions (mm)

Ø	h	Ceiling Cut-Out Dimensions
100	90	Ø90

Photometric Data



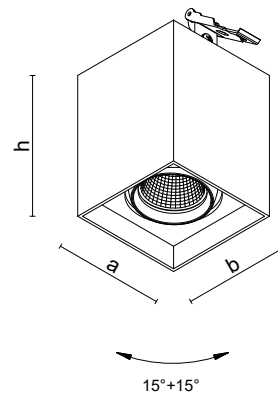


With its high performance as well as functionality in different project areas, BRICK has an aesthetic design with its semi-recessed, square form and minimalist body. It captures clear light output thanks to its deeply positioned LED light source.

Housing	Aluminium Housing
Optic	24° / 36° / 60°
Light Source	COB LED
Power Consumption	8W / 10W / 15W
Lumen	852 lm / 1010 lm / 1380 lm
Input Voltage	220-240V AC 50/60 Hz
Color Temperature	2700K / 3000K / 4000K / 6500K
CRI	>80
IP (Housing)	IP20
Mounting Type	Semi Recessed Mounted
Housing Colour	RAL 9005 / RAL 9006 / RAL 9016

Options

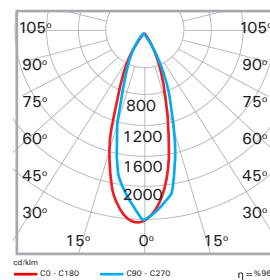
Emergency Kit	Yes (1-3 Hours)
DALI Compatibility	Yes
CRI	>90



Dimensions (mm)

a	b	h	Ceiling Cut-Out Dimensions
80	80	100	Ø68

Photometric Data



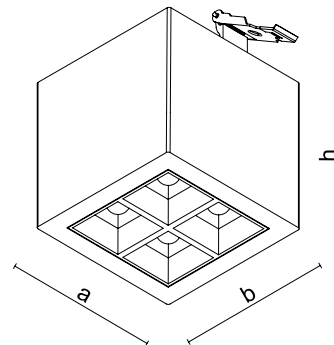


GIZA is used to illuminate interiors with its aesthetic design in square form. With its various lumen options and 50° and 80° optics, it easily meets the local and general lighting needs of your living spaces. With its deeply positioned reflector structure, it guarantees comfortable lighting without creating glare.

Housing	Aluminium Housing
Optic	50° / 80° Lens + Reflector (Black)
Light Source	SMD LED
Power Consumption	8W / 10W / 15W / 20W / 28W
Lumen	894 lm / 1076 lm / 1543 lm / 2200 lm / 2962 lm
Input Voltage	220-240V AC 50/60 Hz
Color Temperature	2700K / 3000K / 4000K / 6500K
CRI	>80
IP (Housing)	IP20
Mounting Type	Semi Recessed Mounted
Housing Colour	RAL 9005 / RAL 9006 / RAL 9016

Options

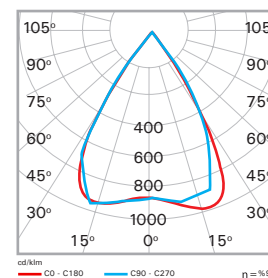
Emergency Kit	Yes (1-3 Hours)
DALI Compatibility	Yes
CRI	>90



Dimensions (mm)

a	b	h	Ceiling Cut-Out Dimensions
105	105	100	Ø89

Photometric Data



GIZA SLIM ADJ.

SEMI RECESSED
MOUNTED

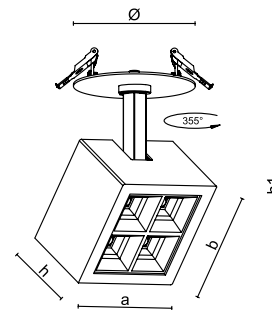


With its minimal design, GIZA is a stylish architectural lighting solution. GIZA is ideal for illuminating spaces such as retail stores, museums and exhibition halls. Thanks to its deeply positioned reflector structure, it promises comfortable lighting without creating glare.

Housing	Aluminium Housing
Optic	50° / 80° Lens + Reflector (Black)
Light Source	SMD LED
Power Consumption	8W / 10W / 15W / 20W / 28W
Lumen	894 lm / 1076 lm / 1543 lm / 2200 lm / 2962 lm
Input Voltage	220-240V AC 50/60 Hz
Color Temperature	2700K / 3000K / 4000K / 6500K
CRI	>80
IP (Housing)	IP20
Mounting Type	Semi Recessed Mounted
Housing Colour	RAL 9005 / RAL 9006 / RAL 9016

Options

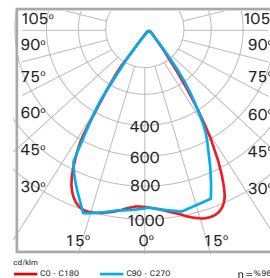
Emergency Kit	Yes (1-3 Hours)
DALI Compatibility	Yes
CRI	>90



Dimensions (mm)

a	b	h	h1	Ceiling Cut-Out Dimensions
105	105	70	173	Ø76

Photometric Data



STORM ADJ.

SEMI RECESSED
MOUNTED

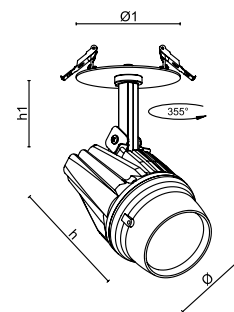


STORM semi-recessed, meets the needs of retail and exhibition areas to the maximum. Available in various lumen and optical options, STORM is ideal for accent lighting.

Housing	Aluminium Housing
Optic	24° / 40° / 60° Reflector
Light Source	COB LED
Power Consumption	20W / 28W / 36W
Lumen	2420 lm / 3330 lm / 4176 lm
Input Voltage	220-240V AC 50/60 Hz
Color Temperature	2700K / 3000K / 4000K / 6500K
CRI	>80
IP (Housing)	IP20
Mounting Type	Semi Recessed Mounted
Housing Colour	RAL 9005 / RAL 9006 / RAL 9016

Options

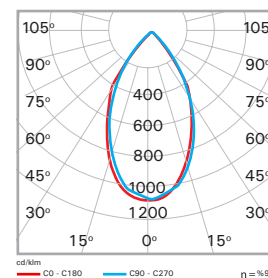
Emergency Kit	Yes (1-3 Hours)
DALI Compatibility	Yes
CRI	>90



Dimensions (mm)

h	h1	Ø	Ø1	Ceiling Cut-Out Dimensions
138	48	90	90	Ø76

Photometric Data



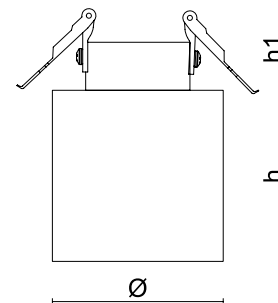


LUP semi-recessed has a wide usage area from hotels to offices, hospitals to residences. In addition to providing ease of application in narrow ceiling depths by providing advantages with its minimal installation height, its lenses can be changed where it is mounted according to the required light angle. In this context, it is the ideal choice for accent lighting. Thanks to its semi-submersible, deeply positioned light; LUP does not create glare, reduces unwanted shadows and increases visual comfort.

Housing	Aluminium Housing
Optic	24° / 36° / 60° Lens
Light Source	COB LED
Power Consumption	8W / 10W / 15W
Lumen	838 lm / 1028 lm / 1411 lm
Input Voltage	220-240V AC 50/60 Hz
Color Temperature	2700K / 3000K / 4000K / 6500K
CRI	>80
IP (Housing)	IP20
Mounting Type	Semi Recessed Mounted
Housing Colour	RAL 9005 / RAL 9006 / RAL 7016

Options

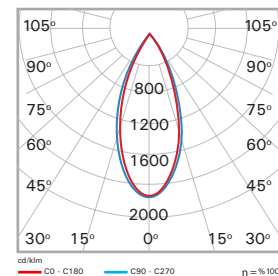
Emergency Kit	Yes (1-3 Hours)
DALI Compatibility	Yes
CRI	>90



Dimensions (mm)

Ø	h	h1	Ceiling Cut-Out Dimensions
85	85	41	Ø73

Photometric Data



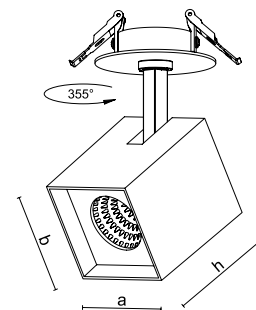


ART, which has a modern and stylish design with its aesthetic-looking square-shaped case, is an economical semirecessed luminaire. It is robust and durable thanks to its aluminum body. ART, which has a steerable body, can be directed towards the desired location as needed.

Housing	Aluminium Housing
Optic	24° / 36° / 60° Reflector
Light Source	COB LED
Power Consumption	8W / 10W / 15W
Lumen	808 lm / 980 lm / 1440 lm
Input Voltage	220-240V AC 50/60 Hz
Color Temperature	2700K / 3000K / 4000K / 6500K
CRI	>80
IP (Housing)	IP20
Mounting Type	Semi Recessed Mounted
Housing Colour	RAL 9005 / RAL 9006 / RAL 9016

Options

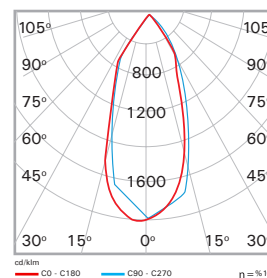
Emergency Kit	Yes (1-3 Hours)
DALI Compatibility	Yes
CRI	>90



Dimensions (mm)

a	b	h	Ceiling Cut-Out Dimensions
80	80	100	Ø76

Photometric Data



ART ■



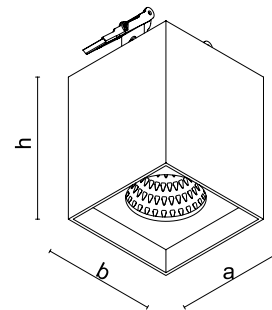
SEMI RECESSED
MOUNTED

ART, which has a modern and stylish design with its aesthetically pleasing square-shaped case, is an economical semirecessed luminaire. It is robust and durable thanks to its aluminum body. ART, which can be offered with different color temperature options, provides lighting at the desired intensity thanks to its dimmable feature.

Housing	Aluminium Housing
Optic	24° / 36° / 60° Reflector
Light Source	COB LED
Power Consumption	8W / 10W / / 15W
Lumen	808 lm / 980 lm / 1440 lm
Input Voltage	220-240V AC 50/60 Hz
Color Temperature	2700K / 3000K / 4000K / 6500K
CRI	>80
IP (Housing)	IP20
Mounting Type	Semi Recessed Mounted
Housing Colour	RAL 9005 / RAL 9006 / RAL 9016

Options

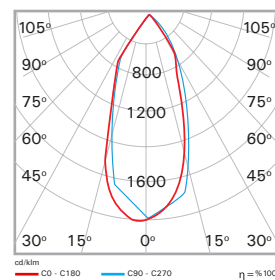
Emergency Kit	Yes (1-3 Hours)
DALI Compatibility	Yes
CRI	>90



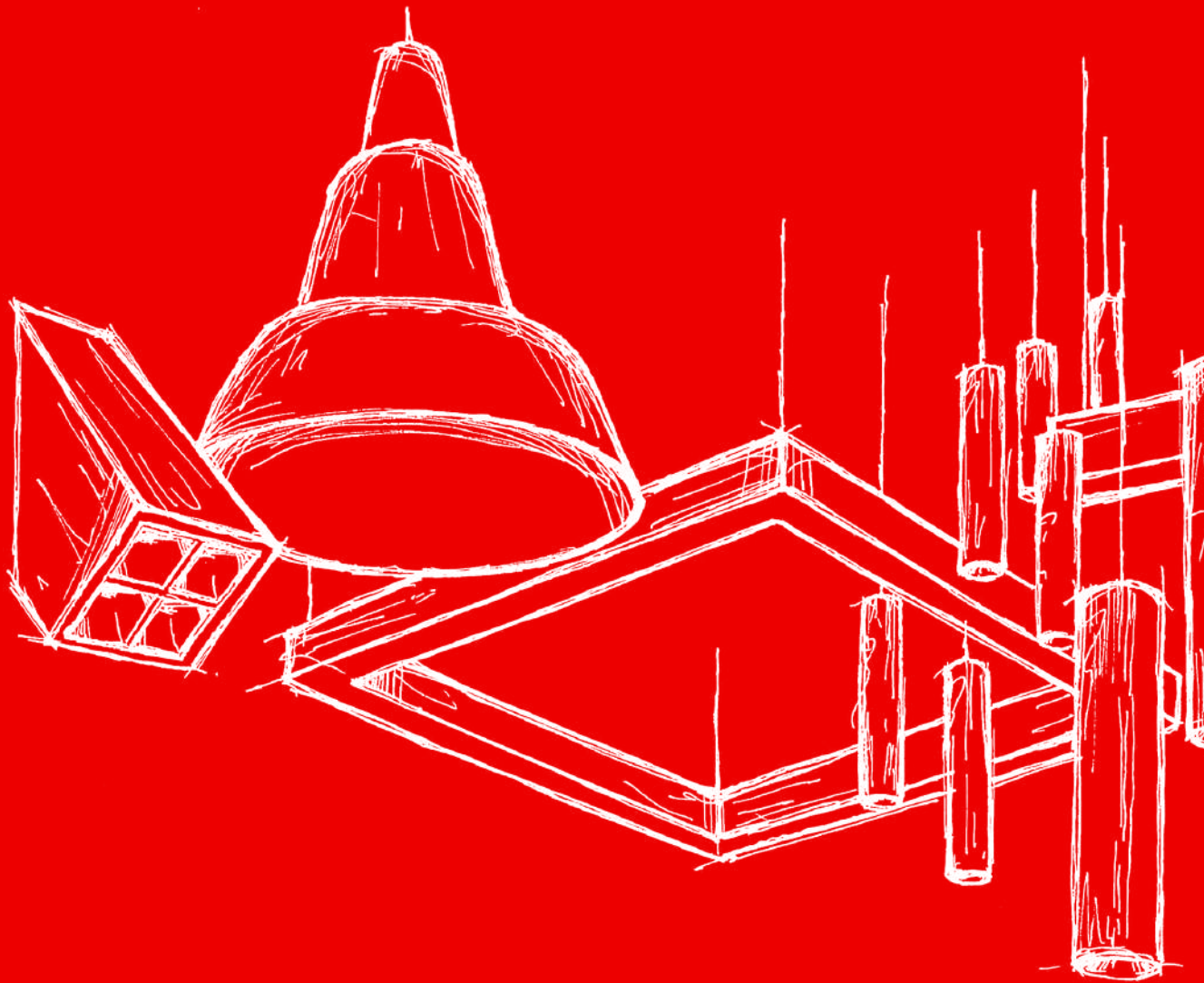
Dimensions (mm)

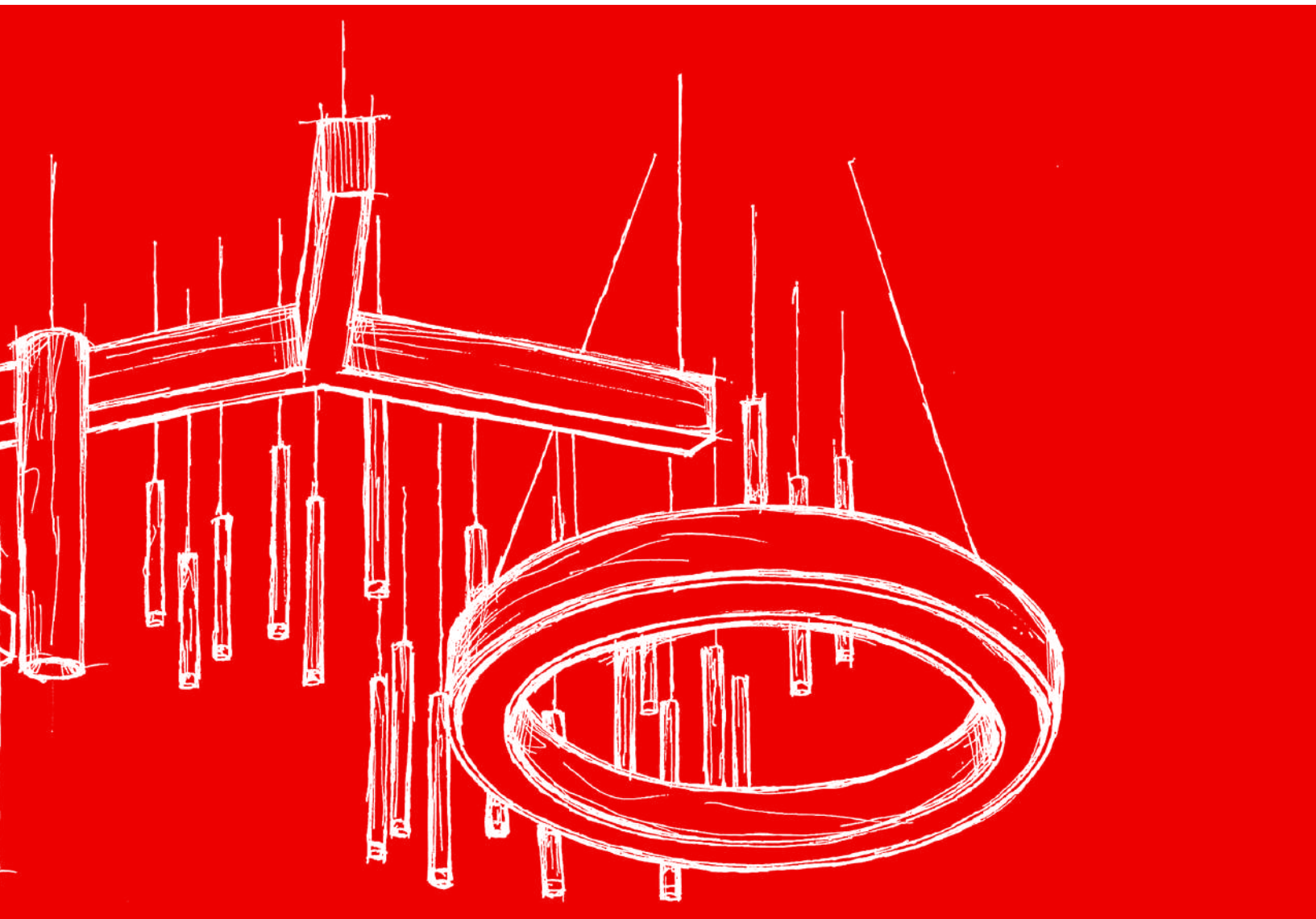
a	b	h	Ceiling Cut-Out Dimensions
80	80	100	Ø68

Photometric Data

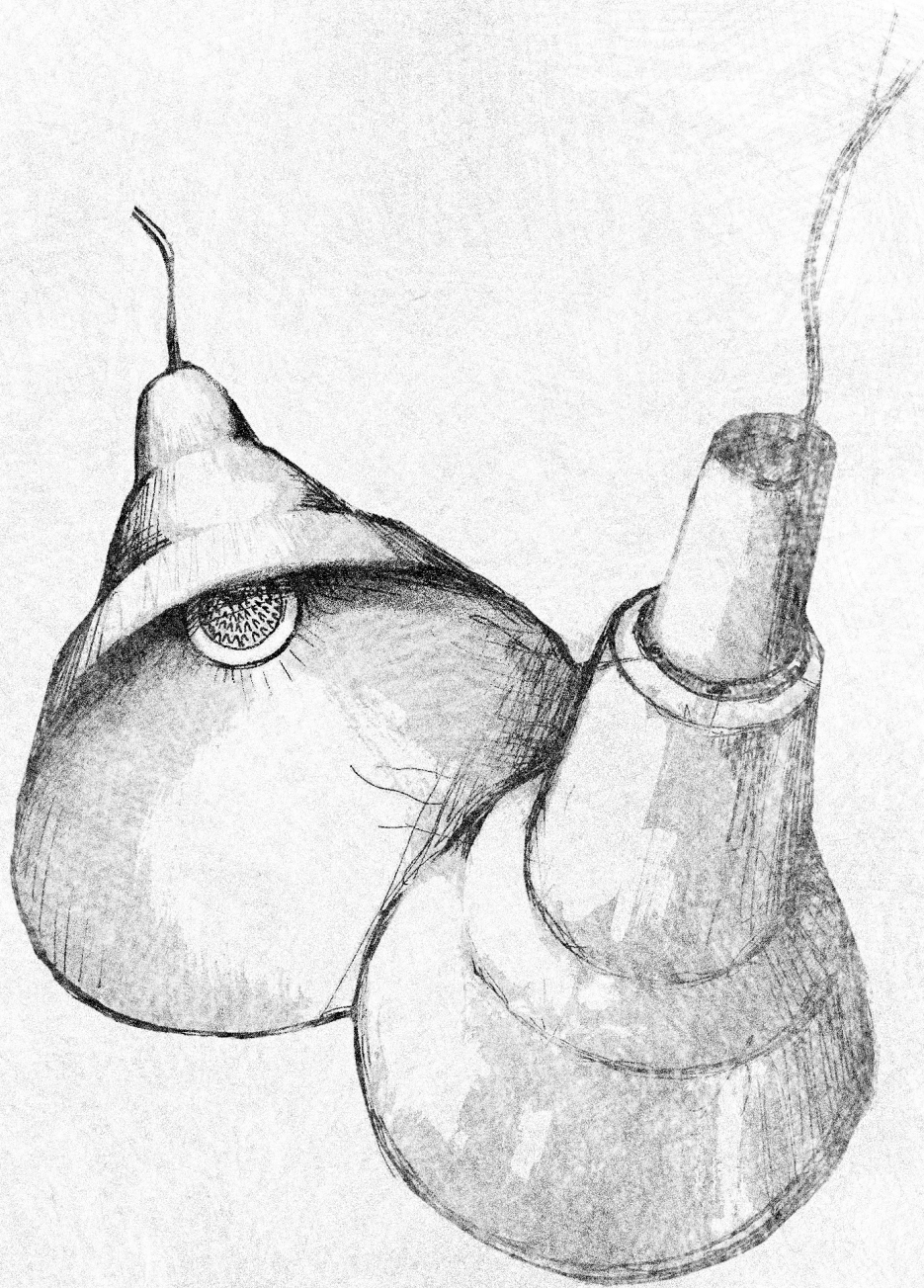








Surface Mounted
Pendant Light
Luminaires



Atlantis

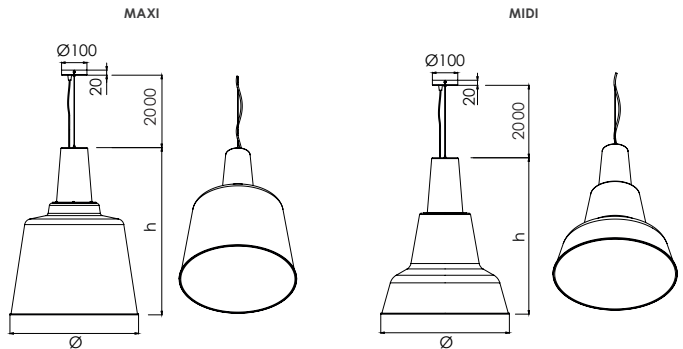
ATLANTIS MAXI/MIDI



ATLANTIS comes in MAXI and MIDI body options. Adding a style to the ambiance with its retro-looking body ATLANTIS is a complement to modern spaces. Thanks to its deeply positioned light source, it creates no glare and provides a homogeneous illumination. The customizable parts of ATLANTIS allow you to change the interior and exterior colors of the product.

Housing	Aluminium Housing
Optic	24° / 40° / 60° Reflector
Light Source	COB LED
Power Consumption	20W / 28W / 36W
Lumen	2420 lm / 3330 lm / 4176 lm
Input Voltage	220-240V AC 50/60 Hz
Color Temperature	2700K / 3000K / 4000K / 6500K
CRI	>80
IP (Housing)	IP20
Mounting Type	Pendant
Housing Colour	RAL 9005 / RAL 9006 / RAL 9016

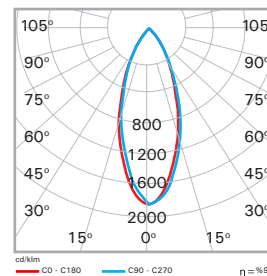
Options	
Emergency Kit	None
DALI Compatibility	Yes
Housing Colour	Inner Housing / Outer Housing / Hat Different Color Selectable
Diffuser	Opal
CRI	>90



Dimensions (mm)

Housing	Ø	h
Maxi	505	660
Midi	505	615

Photometric Data



ATLANTIS MINI

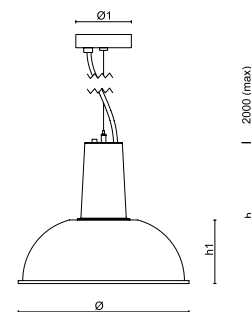


The smallest member of the ATLANTIS product family, ATLANTIS MINI provides comfortable lighting thanks to its deeply positioned light source and lensed optical structure. Developed with LED technology, ATLANTIS MINI provides maximum energy savings, enabling both functional and aesthetically pleasing lighting.

Housing	Aluminium Housing
Optic	24° / 36° / 60° Reflector
Light Source	COB LED
Power Consumption	8W / 10W / 15W / 20W
Lumen	896 lm / 1120 lm / 1605lm / 2080 lm
Input Voltage	220-240V AC 50/60 Hz
Color Temperature	2700K / 3000K / 4000K / 6500K
CRI	>80
IP (Housing)	IP20
Mounting Type	Pendant
Housing Colour	RAL 9005 / RAL 9006 / RAL 7016

Options

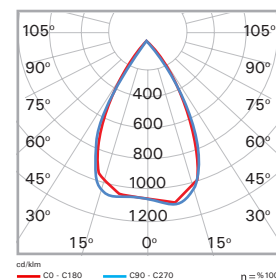
Emergency Kit	None
DALI Compatibility	Yes
CRI	>90



Dimensions (mm)

Ø	Ø1	h	h1
376	80	310	140

Photometric Data





VENO is designed based on a cylinder form. It has a simple design and decorative character. When used as a pendant, it is ideal for general lighting. When used in rhythmic or creative patterns during the application phase, it becomes a complementary element of interior design. Designed with different body heights, VENO creates a new atmosphere in architectural spaces by providing its decorative contribution to concept projects.

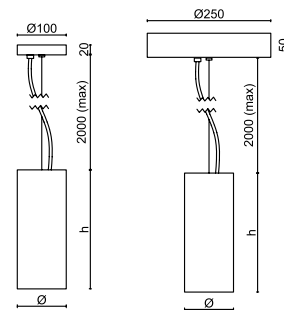
Housing	Aluminium Housing
Optic	15° / 30° Reflector
Light Source	COB LED
Power Consumption	6W / 8W / 10W / 12W
Lumen	596 lm / 794 lm / 992 lm / 1192 lm
Input Voltage	220-240V AC 50/60 Hz
Color Temperature	2700K / 3000K / 4000K / 6500K
CRI	>80
IP (Housing)	IP20
Mounting Type	Pendant
Housing Colour	RAL 9005 / RAL 9006 / RAL 9016

Options

Emergency Kit	Yes (1-3 Hours, Inside External Badge Cover)
DALI Compatibility	Yes (None in Pendant Model, 18 CM)
CRI	>90



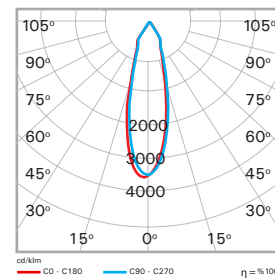
Emergency Lighting Kit



Dimensions (mm)

Housing	Ø	h
Veno 180	100	180
Veno 240	100	240
Veno 425	100	425

Photometric Data

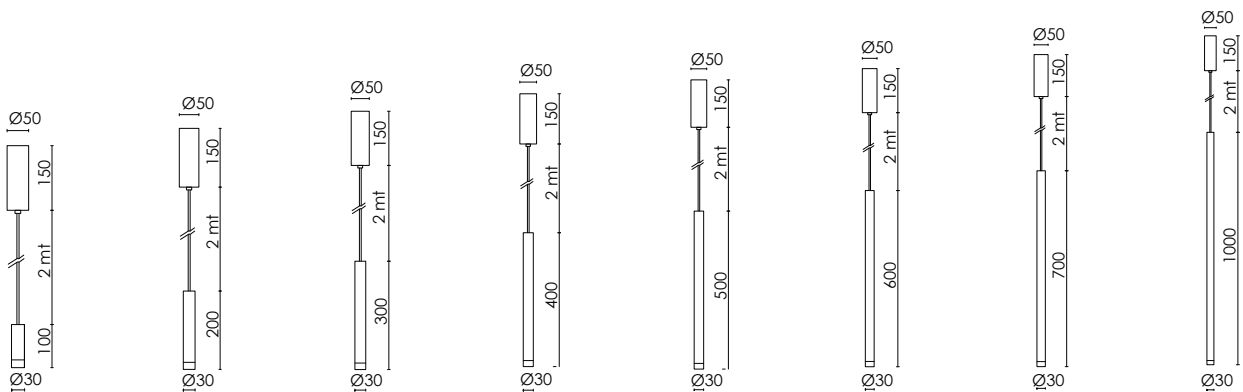




LILI is a reinterpretation of a traditional candle with an elegant and functional LED light source emerging from a minimal body. It can be combined in single or multiple combinations as desired.

- Housing** Aluminium Housing
- Optic** Transparent Acrylic
- Light Source** COB LED
- Power Consumption** 4W
- Lumen** 300 lm
- Input Voltage** 220-240V AC 50/60 Hz
- Color Temperature** 2700K / 3000K / 4000K / 6500K
- CRI** >80
- IP (Housing)** IP20
- Mounting Type** Pendant
- Housing Colour** RAL 9005 / RAL 9016

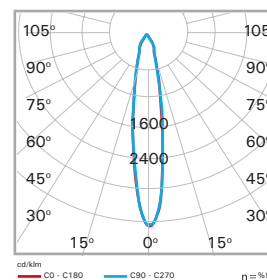
- Options**
- Emergency Kit** None
- DALI Compatibility** Yes
- CRI** >90

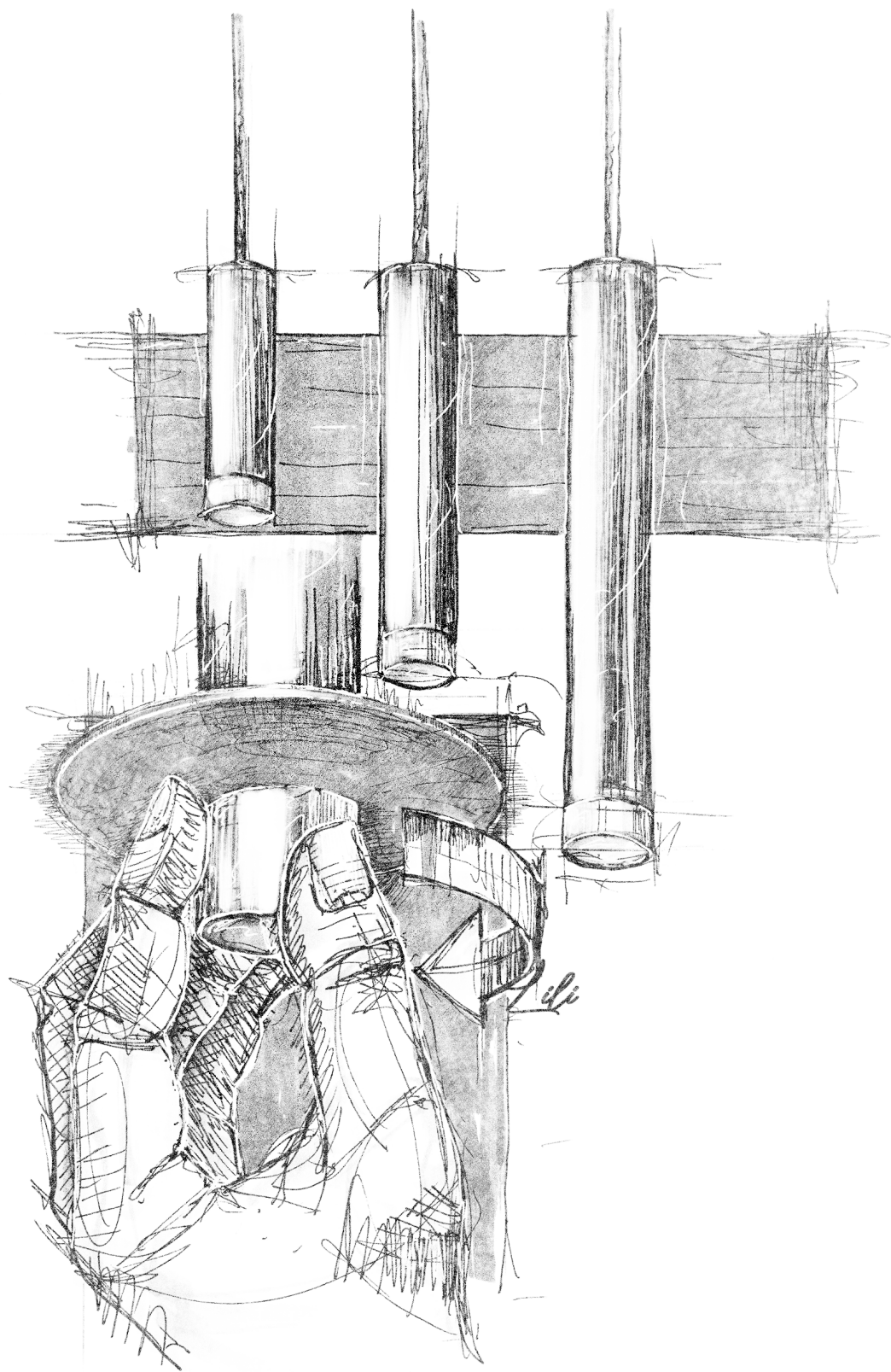


Dimensions (mm)

Housing	Ø	h
Lili 100	30	100
Lili 200		200
Lili 300		300
Lili 400		400
Lili 500		500

Photometric Data





LUP YV

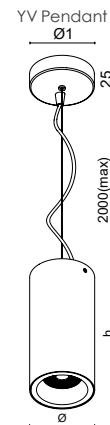


LUP, designed in a round form, adds elegance to architectural spaces such as hotels, offices, hospitals, and homes. Its interchangeable lenses and flexible light and control options ensure optimal distribution and a clean, aesthetic look.

Housing	Aluminium Housing
Optic	24° / 36° / 60° Lens
Light Source	COB LED
Power Consumption	8W / 10W / 15W
Lumen	838 lm / 1028 lm / 1411 lm
Input Voltage	220-240V AC 50/60 Hz
Color Temperature	2700K / 3000K / 4000K / 6500K
CRI	>80
IP (Housing)	IP20
Mounting Type	Pendant
Housing Colour	RAL 9005 / RAL 9016 / RAL 7016

Options

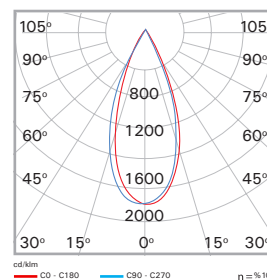
Emergency Kit	None (Optional External Kit)
DALI Compatibility	Yes (Except h120mm)
CRI	>90



Dimensions (mm)

YV	h	Ø1	Standard Driver	DALI
Ø85	120	80	Yes	None
	180			Yes
	240			Yes
	300			Yes

Photometric Data



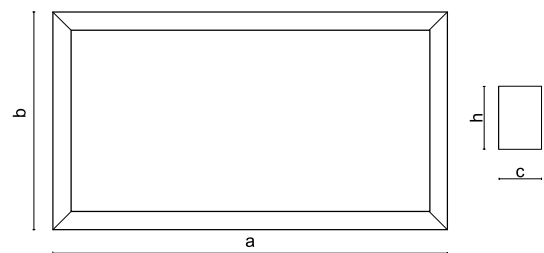
STL FRAME RECTANGLE



With its rectangular aesthetic and stylish design, STL FRAME brings its own dynamism to the spaces with its sharp lines. Thanks to its glare-controlled opal diffuser, it minimizes glare and provides homogeneous lighting.

Housing	Aluminium Housing	
Optic	Opal Diffuser	
Light Source	Mid Power LED	
Power Consumption	40*120	64W / 96W
	60*120	72W / 108W
	90*180	108W / 162W
Lumen	40*120	6202 lm / 9303 lm
	60*120	6977 lm / 10466 lm
	90*180	10466 lm / 15699 lm
Input Voltage	220-240V AC 50/60 Hz	
Color Temperature	2700K / 3000K / 4000K / 6500K	
CRI	>80	
IP (Housing)	IP20	
Mounting Type	Pendant	
Housing Colour	RAL 9005 / RAL 9006 / RAL 9016	

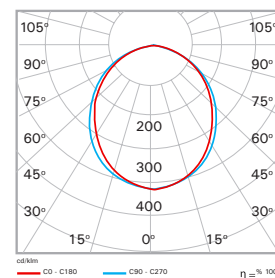
Options	
Emergency Kit	Yes (1-3 Hours)
DALI Compatibility	Yes
CRI	>90

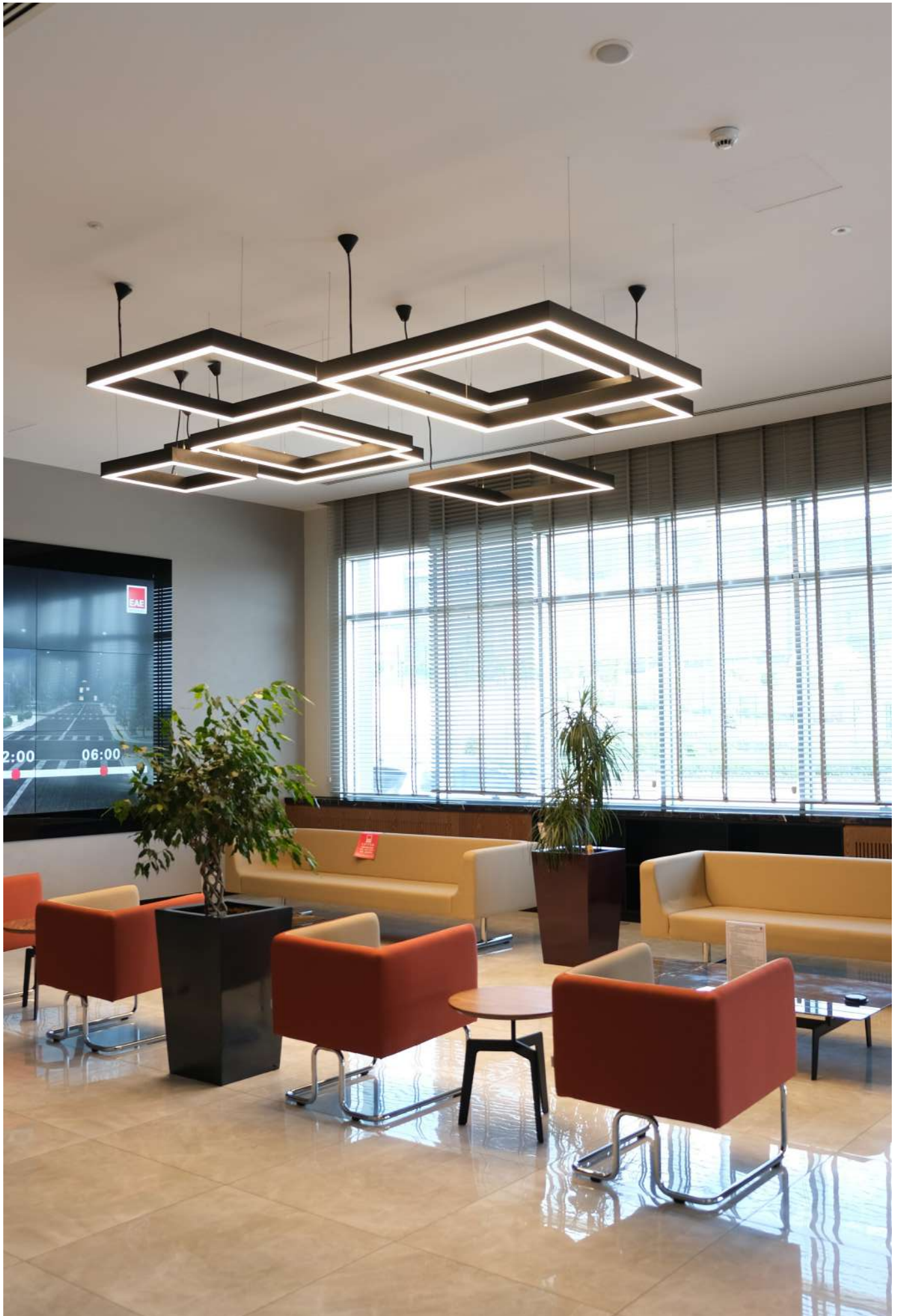


Dimensions (mm)

Housing	a x b	c	h
64W / 96W	120 x 40	50	70
72W / 108W	120 x 60		
108W / 162W	180 x 90		

Photometric Data



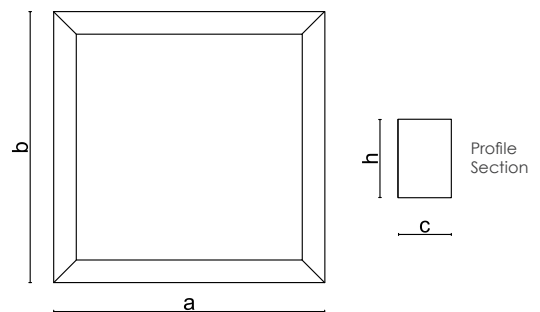


STL FRAME SQUARE



Inspired by the basic square geometry, STL FRAME brings its own dynamism to the spaces with its reduced light surface and sharp lines. It provides homogeneous light output thanks to its opal acrylic diffuser.

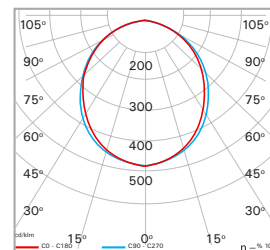
Housing	Aluminium Housing	
Optic	Opal Diffuser	
Light Source	Mid Power LED	
Power Consumption	60*60	48W / 72W
	90*90	72W / 108W
	120*120	96W / 144W
	150*150	120W / 180W
	180*180	144W / 216W
Lumen	60*60	4651 lm / 6977 lm
	90*90	6977 lm / 10466 lm
	120*120	9303 lm / 13955 lm
	150*150	11629 lm / 17443 lm
	180*180	13955 lm / 20932 lm
Input Voltage	220-240V AC 50/60 Hz	
Color Temperature	2700K / 3000K / 4000K / 6500K	
CRI	>80	
IP (Housing)	IP20	
Mounting Type	Pendant	
Housing Colour	RAL 9005 / RAL 9006 / RAL 9016	
Options		
Emergency Kit	Yes (1-3 Hours)	
DALI Compatibility	Yes	
CRI	>90	

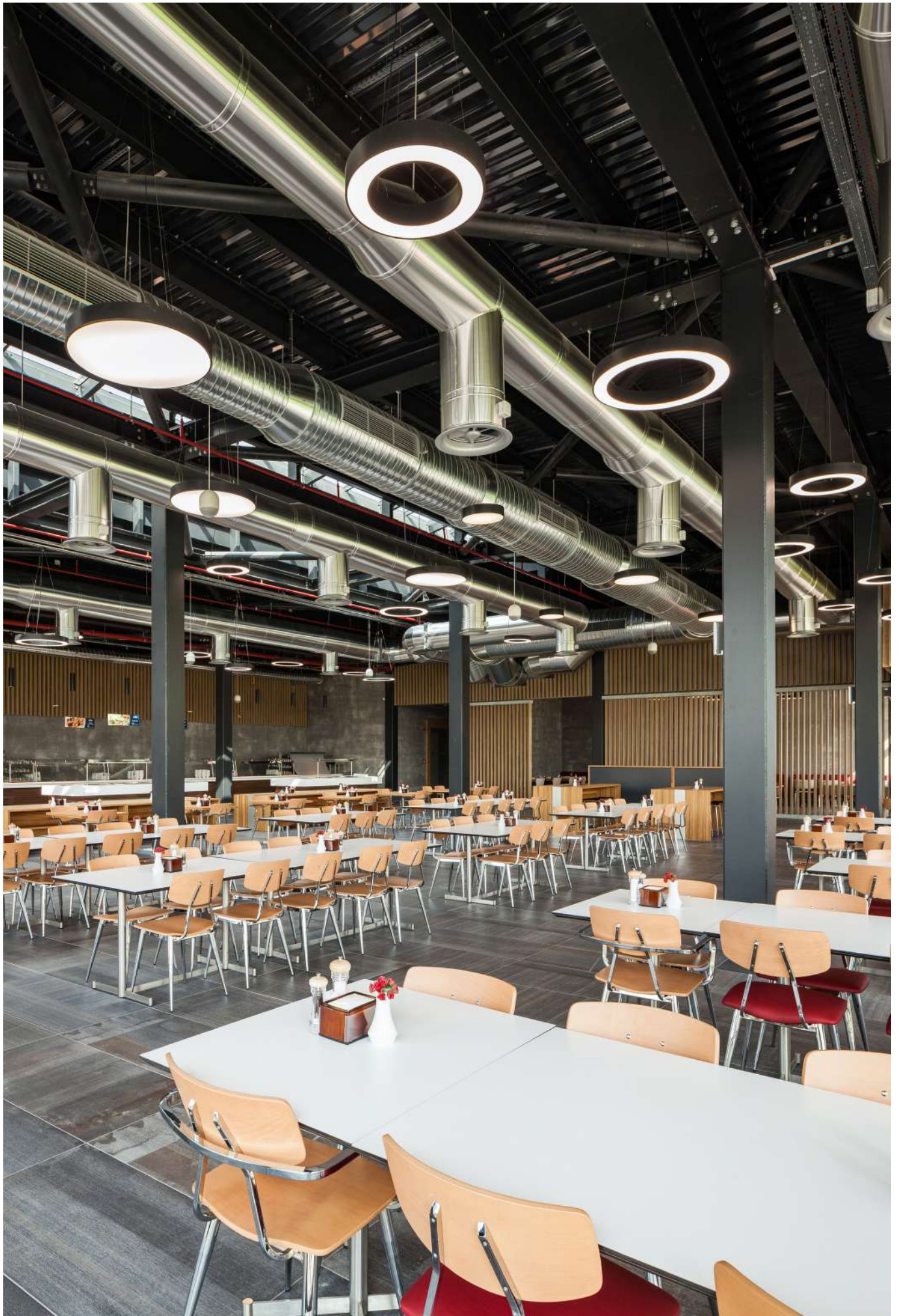


Dimensions (mm)

Housing	a x b	c	h
64W / 96W	60 x 60	50	70
72W / 108W	90 x 90		
96W / 144W	120 x 120		
120W / 180W	150 x 150		

Photometric Data





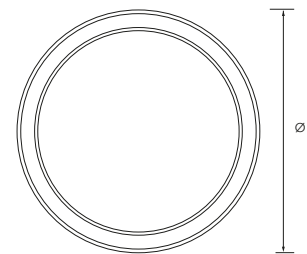
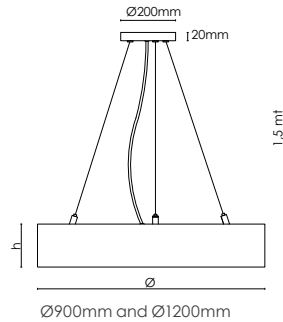
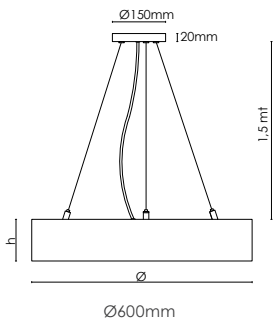


With its ring-shaped geometry and minimal body with clean finishes, RINOA takes its place as a complementary part of modern spaces. Thanks to its opal diffuser, it diffuses light homogeneously and guarantees eye-friendly illumination.

Housing	Aluminum Housing
Optic	Opal Diffuser
Light Source	Mid Power LED
Power Consumption	35W / 54W / 75W
Lumen	3700 lm / 5400 lm / 7600 lm
Input Voltage	220-240V AC 50/60 Hz
Color Temperature	2700K / 3000K / 4000K / 6500K
CRI	>80
IP (Housing)	IP20
Mounting Type	Pendant
Housing Colour	RAL 9003 / RAL 9005

Options

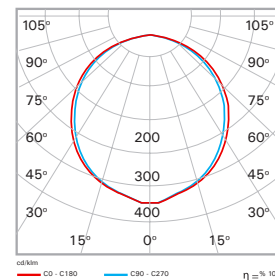
Emergency Kit	Yes (1-3 Hours)
DALI Compatibility	Yes
CRI	>90



Dimensions (mm)

Power	Ø	h
35W	650	95
54W	880	95
75W	1200	95

Photometric Data



NETA PENDANT

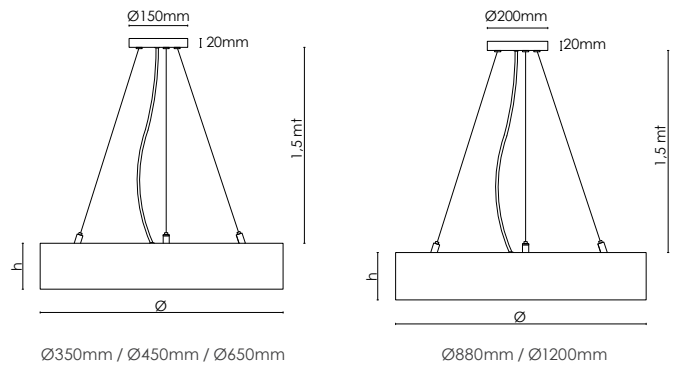


NETA stands out in architectural spaces with its light effect and design. It maximizes eye comfort thanks to its opal diffuser. Bringing a stylish touch to interiors as a pendant, NETA provides flexibility to the designer in terms of placement thanks to its rounded shape with minimalist lines required by modern designs.

Housing	Aluminum Housing
Optic	Opal Diffuser
Light Source	Mid Power LED
Power Consumption	16W / 22W / 47W / 102W / 129W
Lumen	2064 lm / 2840 lm / 6060 lm / 13500 lm / 16770 lm
Input Voltage	220-240V AC 50/60 Hz
Color Temperature	2700K / 3000K / 4000K / 6500K
CRI	>80
IP (Housing)	IP20
Mounting Type	Pendant
Housing Colour	RAL 9010

Options

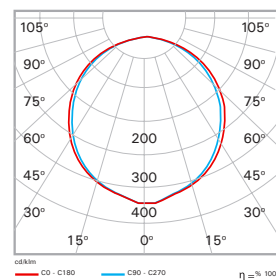
Emergency Kit	Yes (1-3 Hours)
DALI Compatibility	Yes
CRI	>90



Dimensions (mm)

Power	Ø	b
16W	350	95
22W	450	95
47W	650	95
102W	880	95
129W	1200	95

Photometric Data



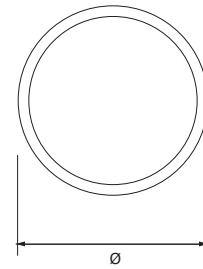


NETA stands out in architectural spaces with its light effect and design. It maximizes eye comfort thanks to its opal diffuser. Bringing a stylish touch to interiors, NETA provides flexibility to the designer in terms of placement thanks to its rounded shape with minimalist lines required by modern designs.

Housing	Aluminum Housing
Optic	Opal Diffuser
Light Source	Mid Power LED
Power Consumption	16W / 22W / 47W / 102W / 130W
Lumen	2064 lm / 2840 lm / 6060 lm / 13500 lm / 16770 lm
Input Voltage	220-240V AC 50/60 Hz
Color Temperature	2700K / 3000K / 4000K / 6500K
CRI	>80
IP (Housing)	IP20
Mounting Type	Recessed Mounted
Housing Colour	RAL 9010

Options

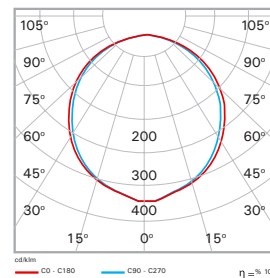
Emergency Kit	Yes (1-3 Hours)
DALI Compatibility	Yes
CRI	>90

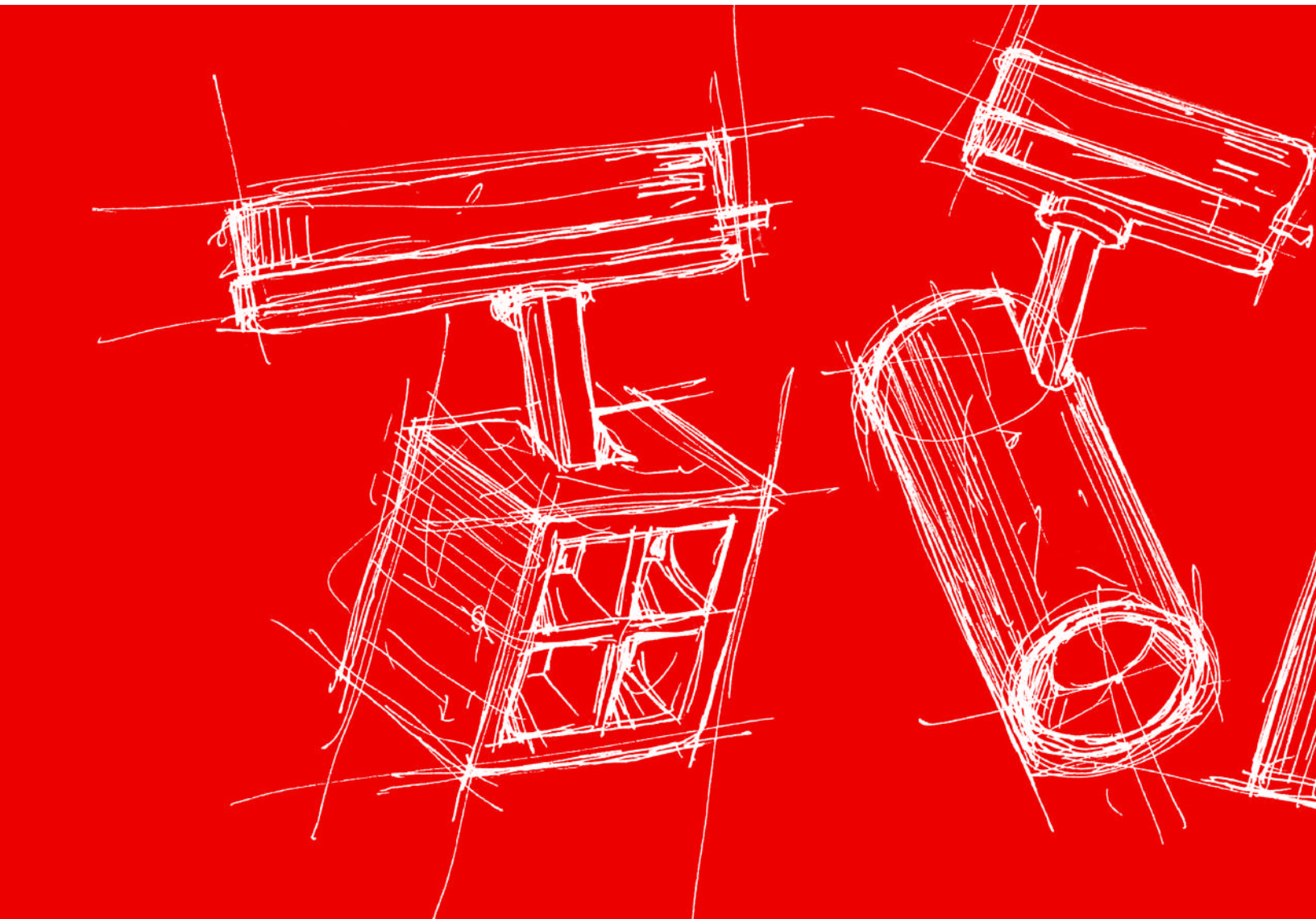


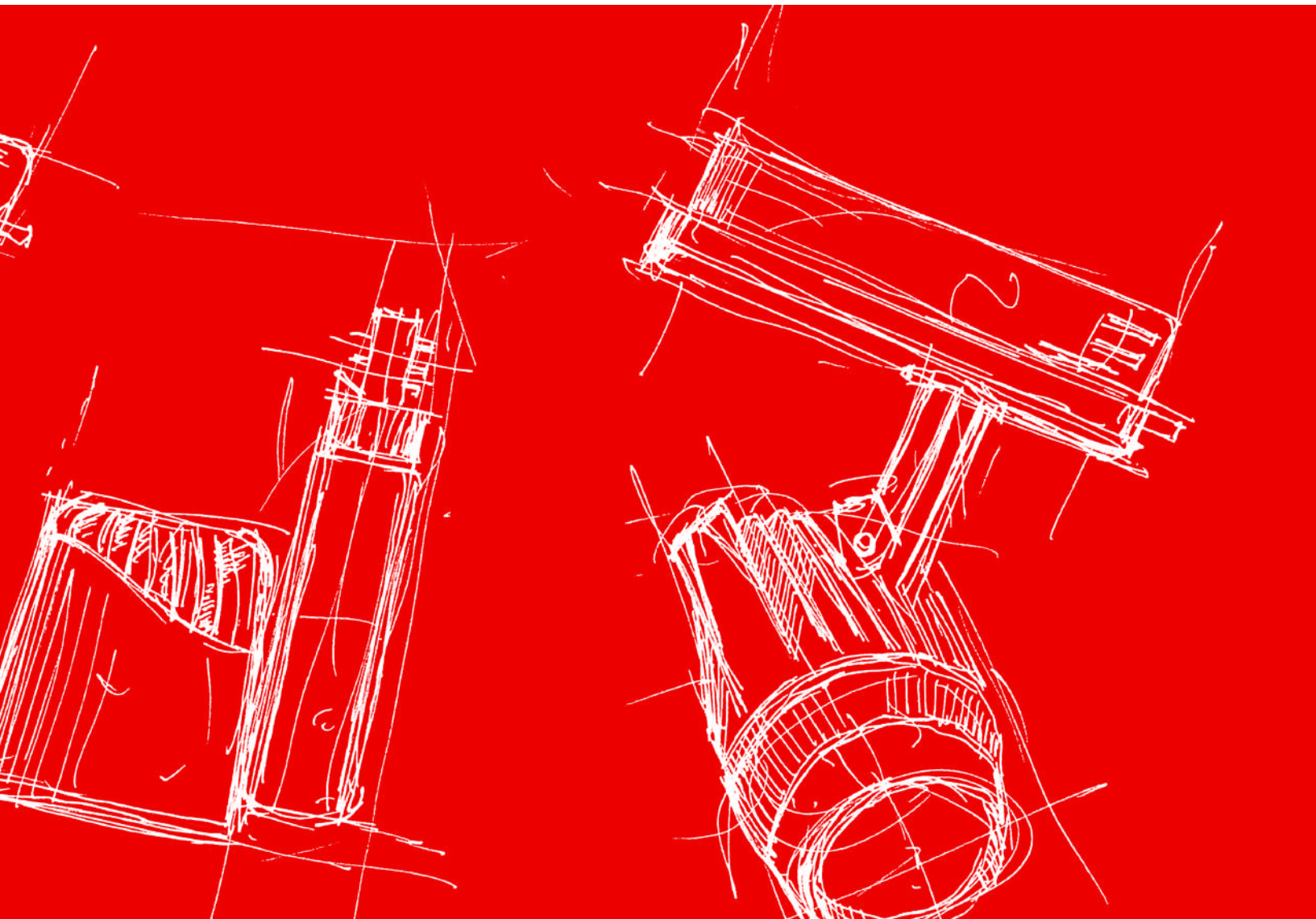
Dimensions (mm)

Power	Ø	b	Ceiling Cut-Out Dimensions
16W	364	5	354
22W	464	95	454
47W	664	95	654
102W	894	95	884
130W	1214	95	1204

Photometric Data







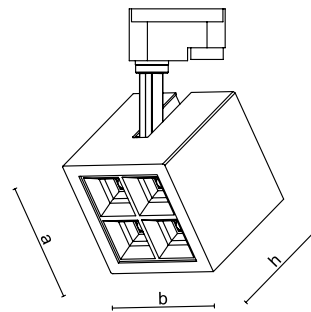
Track Spot Luminaires



GIZA TRACK, a stylish architectural lighting solution, stands out with its high-performance LEDs and optical quality. Thanks to its steerable head, GIZA TRACK guarantees comfortable use in the lighting of interior spaces such as meeting rooms, residences, shops or hotels. In addition to preventing glare thanks to its deeply positioned light source; it provides 50° and 80° light distribution thanks to its special optical design lenses.

Housing	Aluminium Housing
Optic	50° / 80° Lens + Reflector (Black)
Light Source	SMD LED
Power Consumption	8W / 10W / 15W / 20W / 28W
Lumen	894 lm / 1076 lm / 1376 lm / 2200 lm / 2962 lm
Input Voltage	220-240V AC 50/60 Hz
Color Temperature	2700K / 3000K / 4000K / 6500K
CRI	>80
IP (Housing)	IP20
Mounting Type	Three Phase Rail / DALI Rail

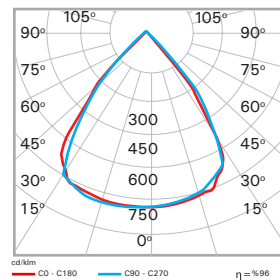
Options	
Emergency Kit	None
DALI Compatibility	Yes
CRI	>90



Dimensions (mm)

a	b	h
105	105	100

Photometric Data



STORM

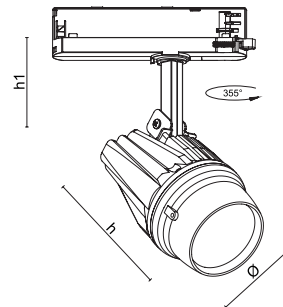


STORM TRACK SPOT can be directed wherever it is needed with its steerable head. In this way, it meets the lighting needs of retail and exhibition areas at maximum level.

Housing	Aluminium Housing
Optic	24° / 40° / 60° Reflector
Light Source	COB LED
Power Consumption	20W / 28W / 36W
Lumen	2420 lm / 3330 lm / 4176 lm
Input Voltage	220-240V AC 50/60 Hz
Color Temperature	2700K / 3000K / 4000K / 6500K
CRI	>80
IP (Housing)	IP20
Mounting Type	Three Phase Rail / DALI Rail
Housing Colour	RAL 9005 / RAL 9016

Options

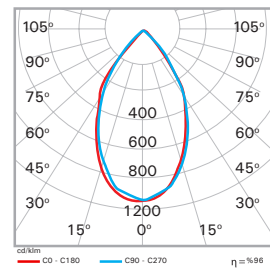
Emergency Kit	None
DALI Compatibility	Yes
CRI	>90



Dimensions (mm)

Ø	h	h1
90	138	60

Photometric Data



GIZA SLIM

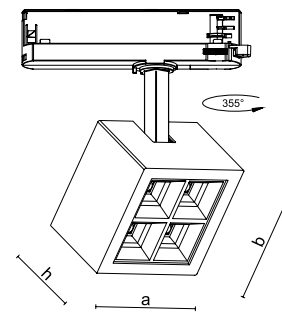


GIZA SLIM meets all the needs of accent lighting at the highest level; It is an excellent choice for places that need accent lighting, such as retail stores, museums and exhibition halls. It achieves maximum energy savings thanks to its high-performance LEDs. In addition to maximizing visual comfort without creating glare due to its deeply positioned light source. Thanks to its special optical design lenses, it can provide 50° and 80° light distribution.

Housing	Aluminium Housing
Optic	50° / 80° Lens + Reflector (Black)
Light Source	SMD LED
Power Consumption	12W / 15W / 20W / 28W
Lumen	1209 lm / 1376 lm / 2200 lm / 2963 lm
Input Voltage	220-240V AC 50/60 Hz
Color Temperature	2700K / 3000K / 4000K / 6500K
CRI	>80
IP (Housing)	IP20
Mounting Type	Three Phase Rail / DALI Rail
Housing Colour	RAL 9005 / RAL 9016

Options

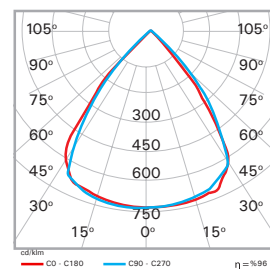
Emergency Kit	None
DALI Compatibility	Yes
CRI	>90



Dimensions (mm)

a	b	h
105	105	70

Photometric Data

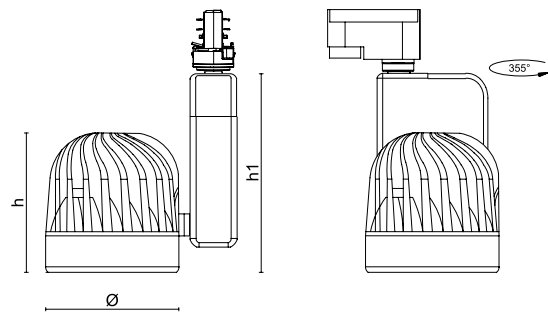




OCTO; It provides flexibility to its users with different lumen values and various optical options. It is ideal for illuminating retail and exhibition areas. It is multifunctional thanks to its layered structure and steerable head.

Housing	Aluminium Housing
Optic	15° / 30° / 45° Reflector
Light Source	COB LED
Power Consumption	20W / 30W
Lumen	2000 lm / 2900 lm
Input Voltage	220-240V AC 50/60Hz
Color Temperature	2700K / 3000K / 4000K / 6500K
CRI	>80
IP (Housing)	IP20
Mounting Type	Three Phase Rail / Monophase Rail / DALI Rail
Housing Colour	RAL 9005 / RAL 9006 / RAL 9016

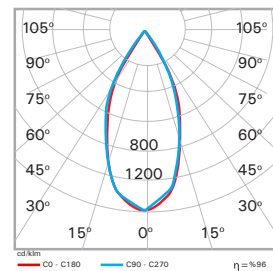
Options	
Emergency Kit	None
DALI Compatibility	Yes
CRI	>90



Dimensions (mm)

Ø	h	h1
100	110	150

Photometric Data

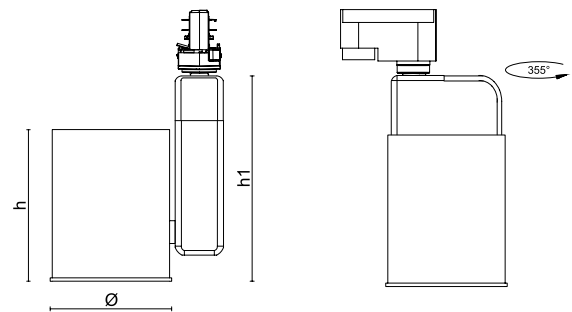
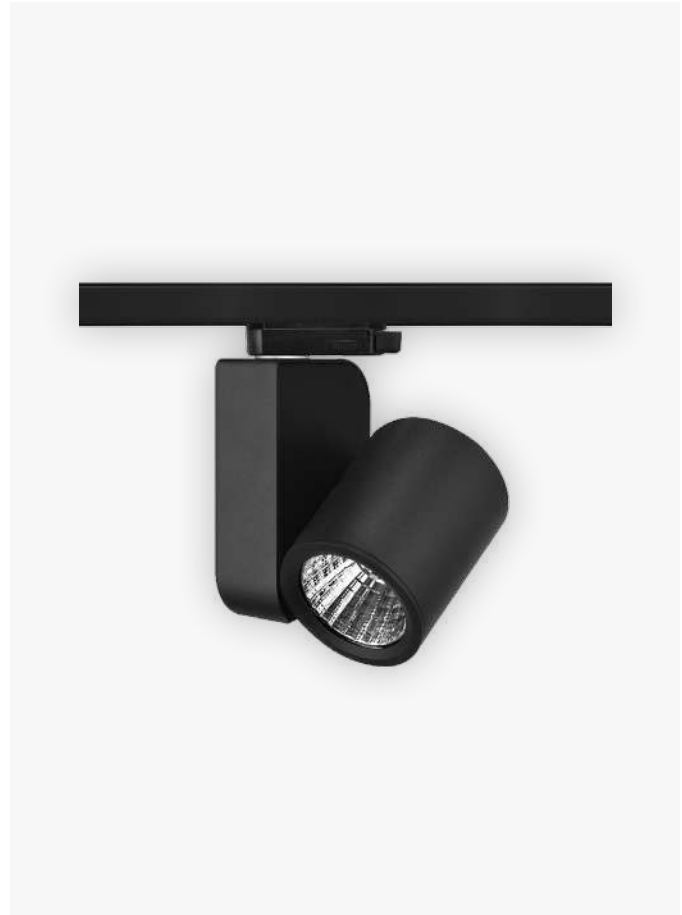




PICA TRACK SPOT uses a simple and polite language with its layered body structure that covers the cooling fins. Vertically positioned driver box displays a compact appearance. It meets all the requirements of accent lighting technique with different optical and lumen values.

Housing	Aluminium Housing
Optic	15° / 30° / 45° Reflector
Light Source	COB LED
Power Consumption	20W / 30W
Lumen	2000 lm / 2982 lm
Input Voltage	220-240V AC 50/60Hz
Color Temperature	2700K / 3000K / 4000K / 6500K
CRI	>80
IP (Housing)	IP20
Mounting Type	Three Phase Rail / Monophase Rail / DALI Rail
Housing Colour	RAL 9005 / RAL 9006 / RAL 9016

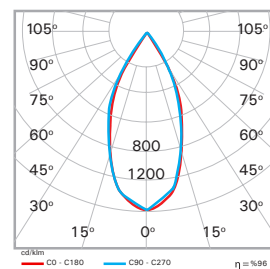
Options	
Emergency Kit	None
DALI Compatibility	Yes
CRI	>90



Dimensions (mm)

Ø	h	h1
85	110	150

Photometric Data



TACO MINI/MIDI/MAXI

TRACK
SPOT

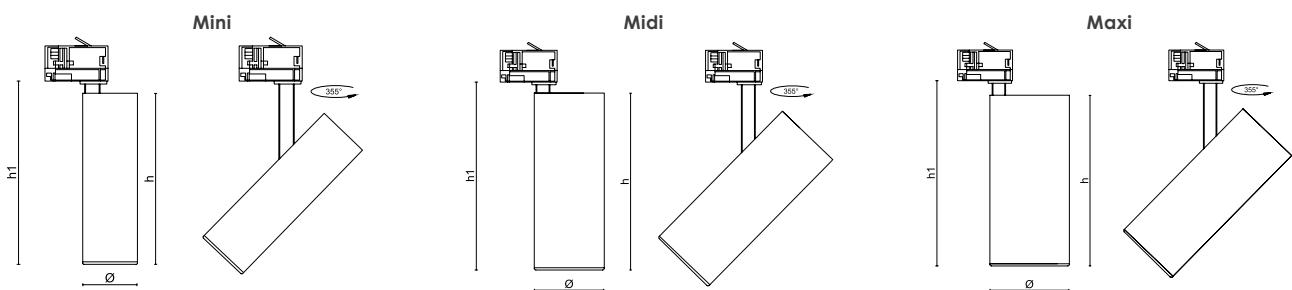


TACO TRACK SPOT, a member of the track spot family; It appears in three different forms: MINI, MIDI and MAXI. In addition to adding a different touch to the ambient atmosphere where they are used thanks to their designs, they perfectly meet the lighting needs of architectural areas thanks to their high-performance LEDs. Capturing clear light output thanks to its deeply positioned light source, TACO TRACK SPOT does not create glare and provides homogeneous illumination.

Housing	Aluminium Housing		
Optic (Reflector)	Mini	Midi	Maxi
	15° / 30°	15° / 30° / 45°	15° / 30° / 45° / 60°
Light Source	COB LED		
Power	8W	20W	20W/30W
Consumption (W)			
Lumen (lm)	828 lm	2072 lm	2072 lm / 3108 lm
Input Voltage	220-240V AC 50/60Hz		
Color Temperature	2700K / 3000K / 4000K / 6500K		
CRI	>80		
IP (Housing)	IP20		
Mounting Type	Three Phase Rail / Monophase Rail / DALI Rail		
Housing Colour	RAL 9005 / RAL 9006 / RAL 9016		

Options

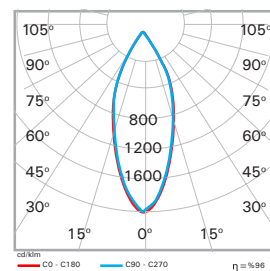
Emergency Kit	None
DALI Compatibility	Yes
CRI	>90



Dimensions (mm)

Housing	Ø	h	h1
Mini	60	185	207
Midi	85	225	215
Maxi	100	215	235

Photometric Data

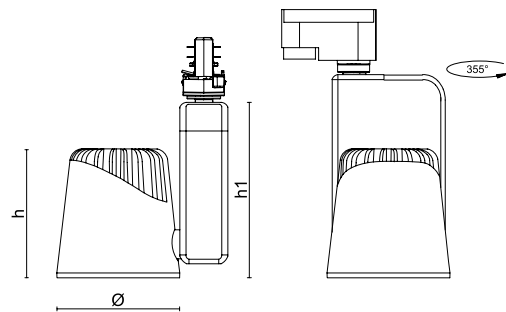




OXI TRACK SPOT is ideal for illuminating retail and exhibition areas with its different lumen values and optical options. Its layered body structure and angled-ended head create a dynamic effect in its environment.

Housing	Aluminium Housing
Optic	15° / 30° / 45° Reflector
Light Source	COB LED
Power Consumption	20W / 30W
Lumen	2020 lm / 3046 lm
Input Voltage	220-240V AC 50/60Hz
Color Temperature	2700K / 3000K / 4000K / 6500K
CRI	>80
IP (Housing)	IP20
Mounting Type	Three Phase Rail / Monophase Rail / DALI Rail
Housing Colour	RAL 9005 / RAL 9006 / RAL 9016

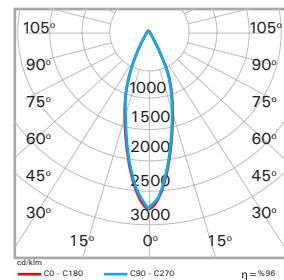
Options	
Emergency Kit	None
DALI Compatibility	Yes
CRI	>90



Dimensions (mm)

Ø	h	h1
100	115	150

Photometric Data

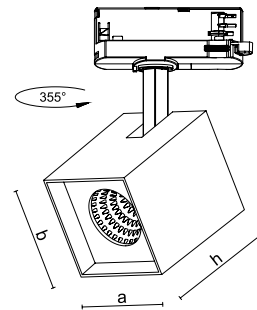




ART TRACK SPOT, which has a stylish appearance with its square-shaped body, can be produced in different lengths and sizes and adapts to any area where it is used. Thanks to the elegance and simplicity of its design, it can be used easily in both modern and classical style interiors.

Housing	Aluminium Housing
Optic	24° / 36° / 60° Reflector
Light Source	COB LED
Power Consumption	12W / 15W
Lumen	1164 lm / 1344 lm
Input Voltage	220-240V AC 50/60 Hz
Color Temperature	2700K / 3000K / 4000K / 6500K
CRI	>80
IP (Housing)	IP20
Mounting Type	Three Phase Rail / DALI Rail
Housing Colour	RAL 9005 / RAL 9006 / RAL 9016

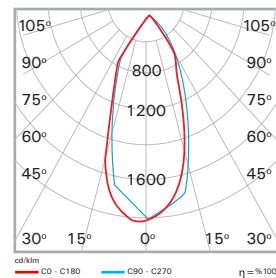
Options	
Emergency Kit	None
DALI Compatibility	Yes
CRI	>90

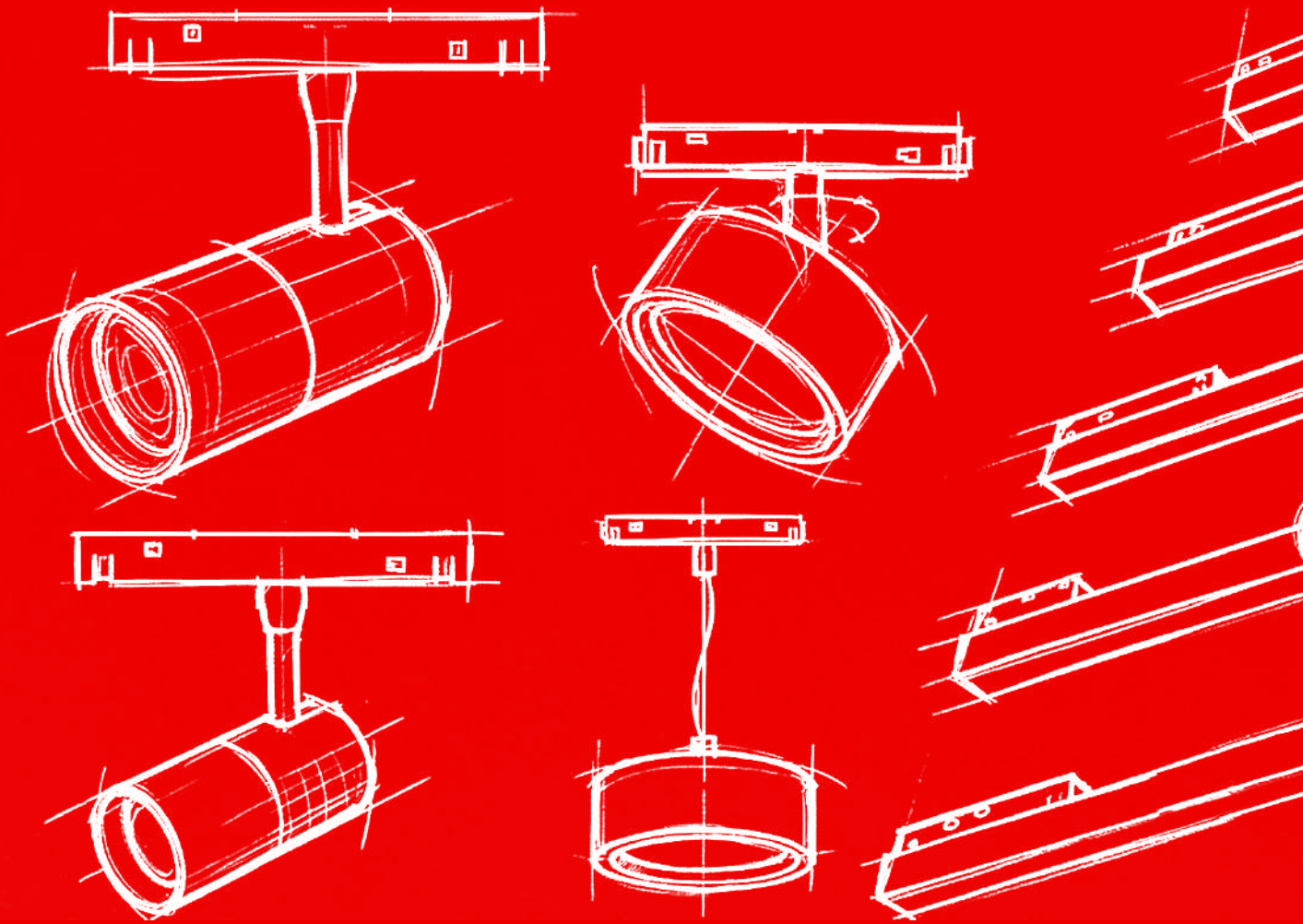


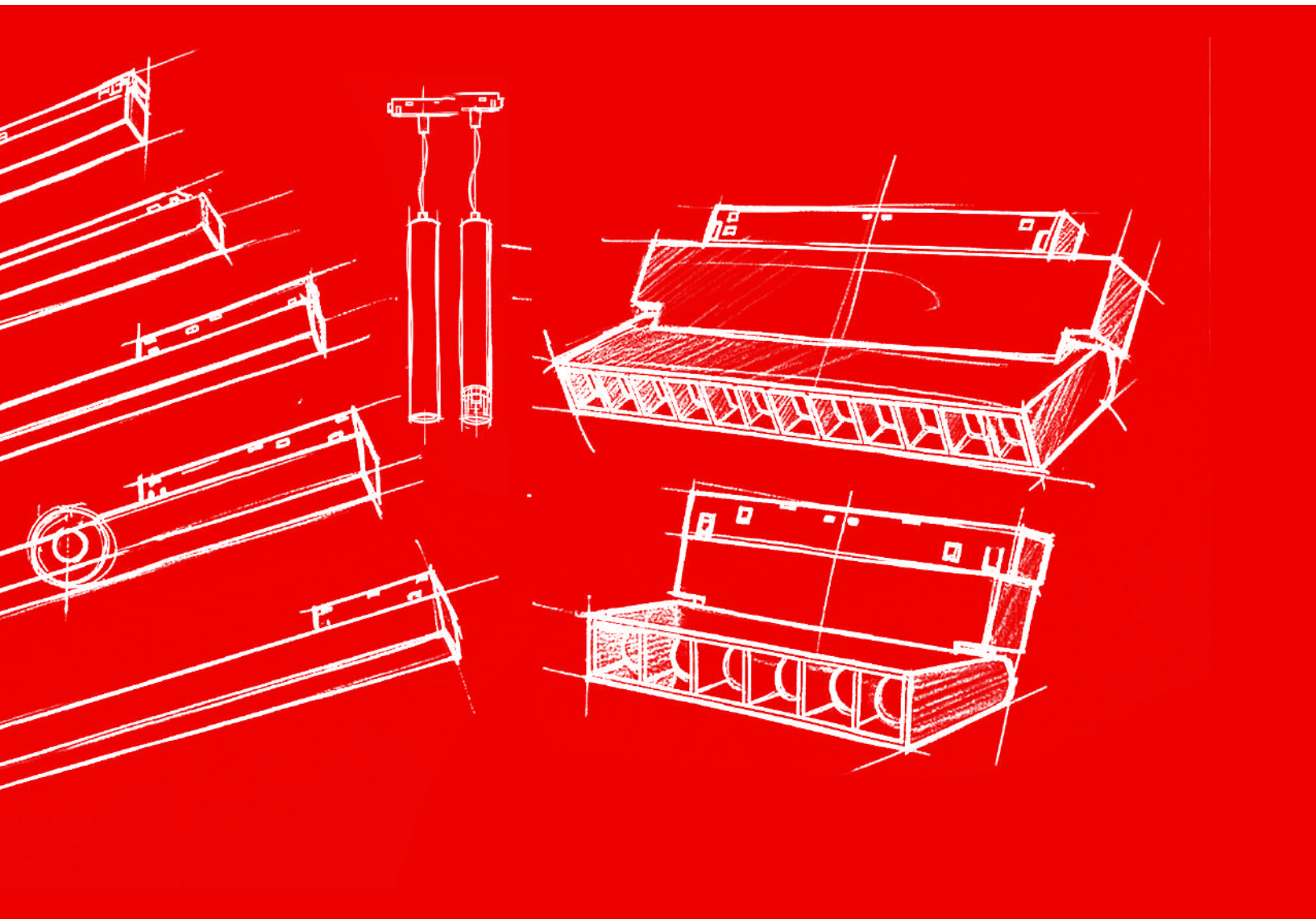
Dimensions (mm)

a	b	h
80	80	100

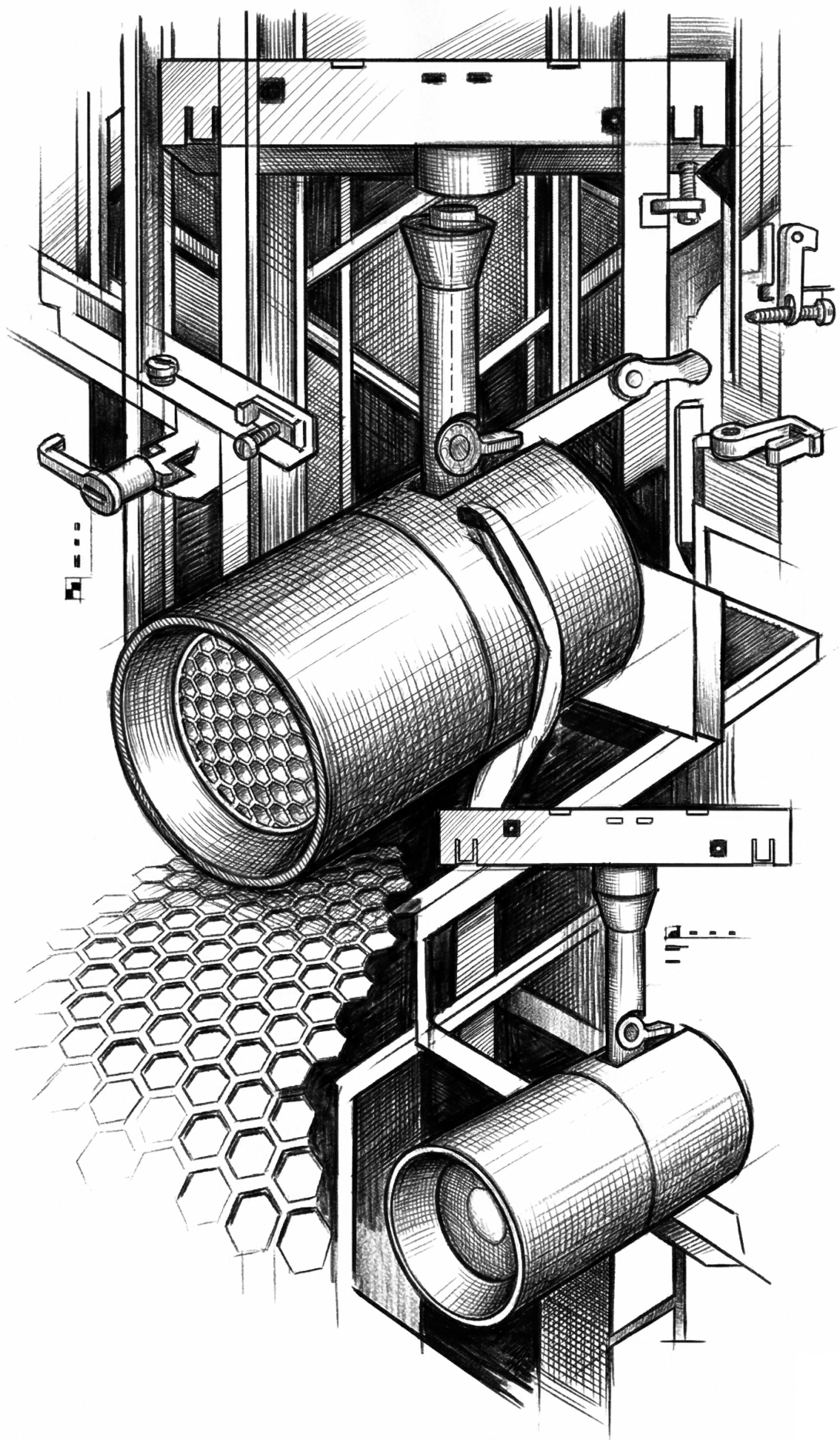
Photometric Data







Magnetic Luminaires



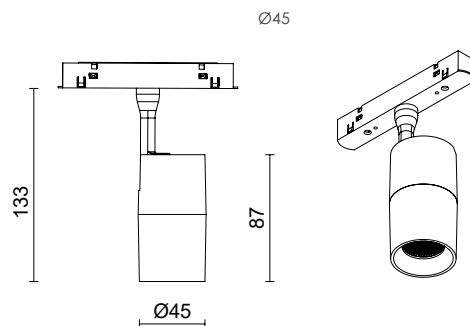
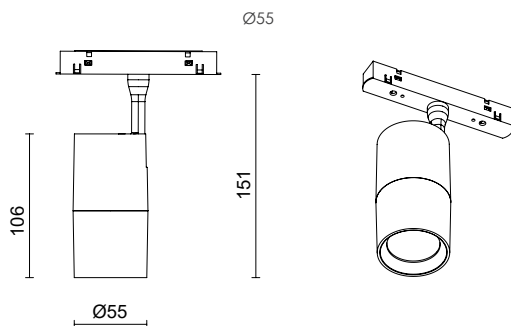
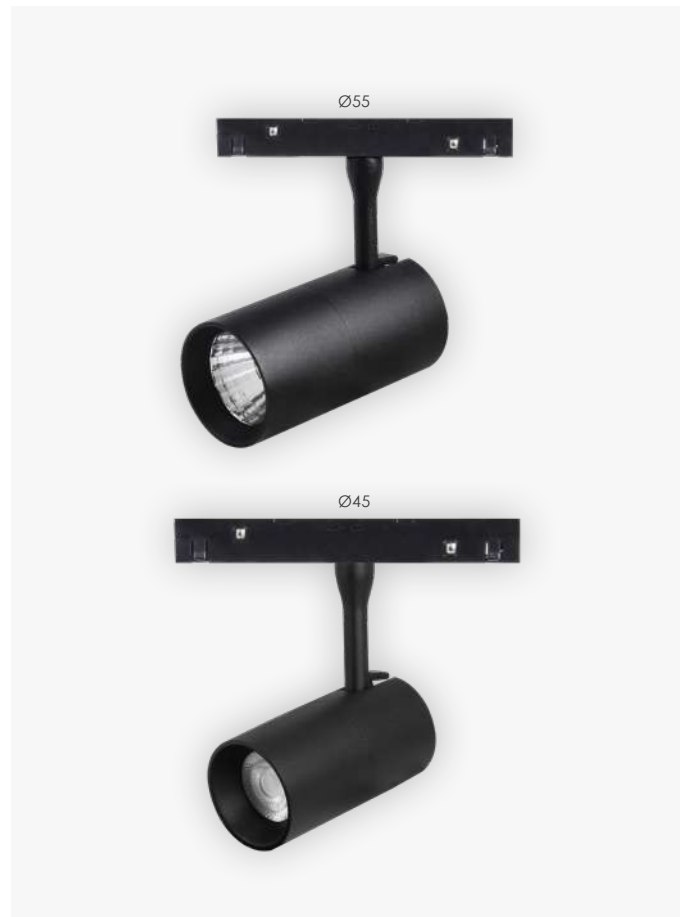
MAGNETIC Ø55/Ø45

MAGNETIC
TRACK



Magnetic track spot modules offer flexible and precise lighting for magnetic track systems. Available in Ø55 and Ø45 diameter options, these modules provide versatile accent lighting while maintaining a clean and minimal design. Their adjustable structure allows the light to be directed exactly where it is needed in architectural and commercial spaces.

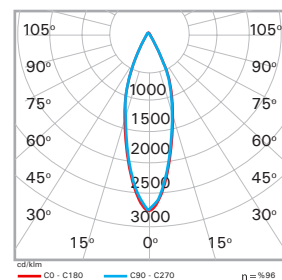
Housing	Aluminium Housing
Optic	24° Reflector / 24° Lens
Light Source	COB LED
Power Consumption	8W / 10W
Lumen	1125 lm / 896 lm
Input Voltage	48 V DC 50-60 HZ
Color Temperature	3000K / 4000K
CRI	>80
IP (Housing)	IP20
Mounting Type	Magnetic Track Mounted
Housing Colour	Black / White



Dimensions (mm)

Ø	h	h1
Ø55	106	151
Ø45	87	133

Photometric Data



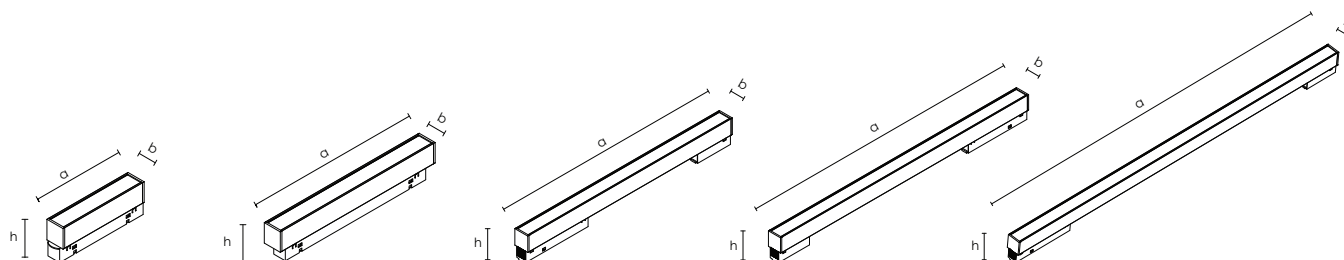
MAGNETIC OD

MAGNETIC TRACK



Linear modules provide uniform and comfortable illumination for magnetic track systems. With different length options, they offer flexible lighting layouts while maintaining a clean and minimal design. Ideal for architectural, retail, and office environments requiring continuous and efficient lighting.

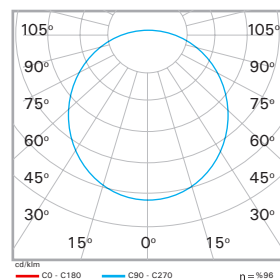
- Housing** Aluminium Housing
- Optic** Opal Diffuser
- Light Source** SMD LED
- Power Consumption** 4W / 7W / 11W / 16W / 19W
- Lumen** 158 lm / 270 lm / 500 lm / 675lm / 770 lm
- Input Voltage** 48 V DC 50-60 HZ
- Color Temperature** 3000K / 4000K
- CRI** >80
- IP (Housing)** IP20
- Mounting Type** Magnetic Track Mounted
- Housing Colour** Black / White



Dimensions (mm)

a	b	h
115	23	43
221	23	43
362	23	43
468	23	43
650	23	43

Photometric Data



MAGNETIC LN

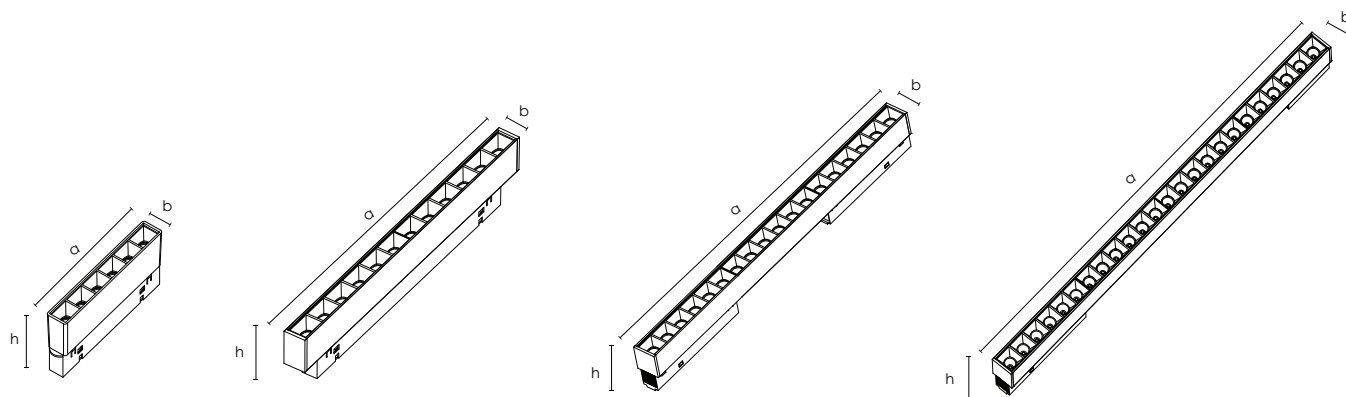
MAGNETIC TRACK



Magnetic multi-spot modules provide precise and controlled lighting for magnetic track systems. With multiple light sources integrated into a single module, they deliver focused illumination while maintaining a sleek and minimal appearance. Ideal for accent lighting in retail, galleries and architectural spaces.

Housing	Aluminium Housing
Optic	24° Reflector
Light Source	SMD LED
Power Consumption	7W / 14W / 21W / 27W
Lumen	714 lm / 1456 lm / 2094 lm / 2832 lm
Input Voltage	220-240V AC 50/60Hz
Color Temperature	3000K / 4000K
CRI	>80
IP (Housing)	IP20
Mounting Type	Magnetic Track Mounted
Housing Colour	Black / White

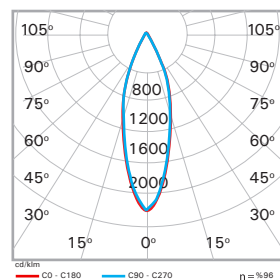
Options	
Emergency Kit	None
DALI Compatibility	Yes
CRI	>90



Dimensions (mm)

a	b	h
119	23	43
232	23	43
346	23	43
460	23	43

Photometric Data



MAGNETIC OD ADJ

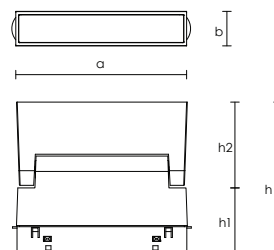
MAGNETIC
TRACK



Magnetic diffuser modules provide soft and uniform lighting for magnetic track systems. Their compact design ensures seamless integration into modern architectural spaces while delivering comfortable general illumination. Ideal for creating balanced ambient lighting in offices, retail, and residential environments.

Housing	Aluminium Housing
Optic	Opal Diffuser
Light Source	SMD LED
Power Consumption	7W
Lumen	260 lm
Input Voltage	220-240V AC 50/60Hz
Color Temperature	3000K / 4000K
CRI	>80
IP (Housing)	IP20
Mounting Type	Magnetic Track Mounted
Housing Colour	Black / White

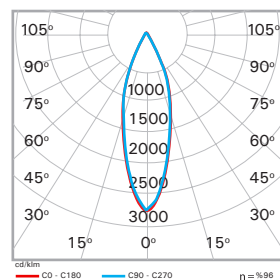
Options	
Emergency Kit	None
DALI Compatibility	Yes
CRI	>90



Dimensions (mm)

a	b	h	h1	h2
119	23	104	44	60

Photometric Data



MAGNETIC LN ADJ

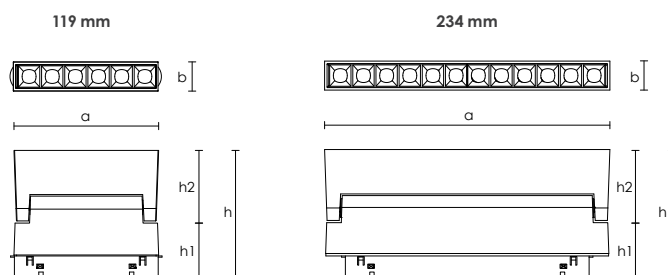
MAGNETIC TRACK



Magnetic grille modules provide precise and glare-controlled lighting for magnetic track systems. With multiple optical cells, they deliver focused illumination while enhancing visual comfort. Their compact and modern design makes them ideal for retail, office, and architectural lighting applications.

Housing	Aluminium Housing
Optic	24° Reflector
Light Source	SMD LED
Power Consumption	7W / 14W
Lumen	686 lm / 1380lm
Input Voltage	220-240V AC 50/60Hz
Color Temperature	3000K / 4000K
CRI	>80
IP (Housing)	IP20
Mounting Type	Magnetic Track Mounted
Housing Colour	Black / White

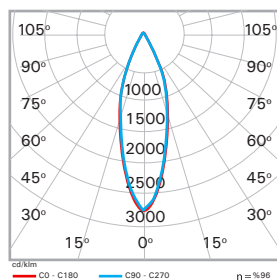
Options	
Emergency Kit	None
DALI Compatibility	Yes
CRI	>90



Dimensions (mm)

Product	a	b	h	h1	h2
119 mm	119	23	104	44	60
234 mm	234	23	104	44	60

Photometric Data



MAGNETIC Ø100 OD ADJ

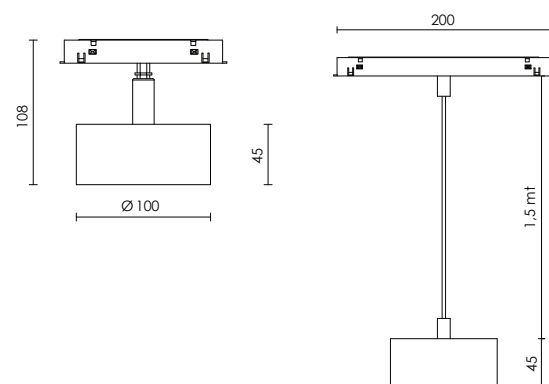
MAGNETIC
TRACK



Magnetic decorative modules combine functional lighting with a distinctive design. Available in surface-mounted and suspended versions, they provide soft and comfortable illumination while adding a modern aesthetic to magnetic track systems. Ideal for retail, hospitality, and contemporary interior spaces.

Housing	Aluminium Housing
Optic	Opal Diffuser
Light Source	SMD LED
Power Consumption	9W / 9W
Lumen	625 lm / 620 lm
Input Voltage	220-240V AC 50/60Hz
Color Temperature	3000K / 4000K
CRI	>80
IP (Housing)	IP20
Mounting Type	Magnetic Track Mounted
Housing Colour	Black / White

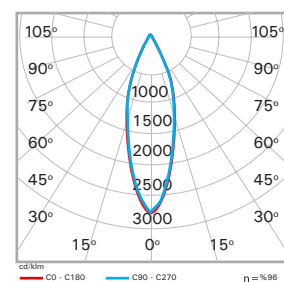
Options	
Emergency Kit	None
DALI Compatibility	Yes
CRI	>90



Dimensions (mm)

Ø	h	h1
100	115	150

Photometric Data



MAGNETIC Ø42/Ø32 LN

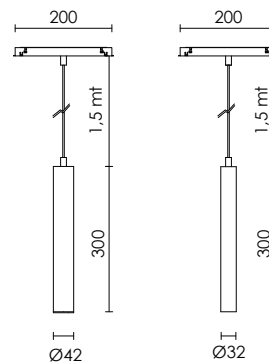
MAGNETIC
TRACK



Magnetic pendant modules provide elegant and focused lighting for magnetic track systems. Their slim cylindrical design creates a modern visual effect while delivering precise illumination. Ideal for accent lighting in retail, hospitality, and contemporary interior spaces.

Housing	Aluminium Housing
Optic	15° / 30° / 45° / 60° Reflector
Light Source	COB LED
Power Consumption	2W / 3W
Lumen	145 lm / 224 lm
Input Voltage	220-240V AC 50/60Hz
Color Temperature	3000K / 4000K
CRI	>80
IP (Housing)	IP20
Mounting Type	Magnetic Track Mounted
Housing Colour	Black / White

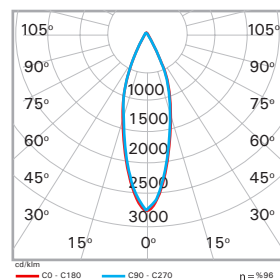
Options	
Emergency Kit	None
DALI Compatibility	Yes
CRI	>90

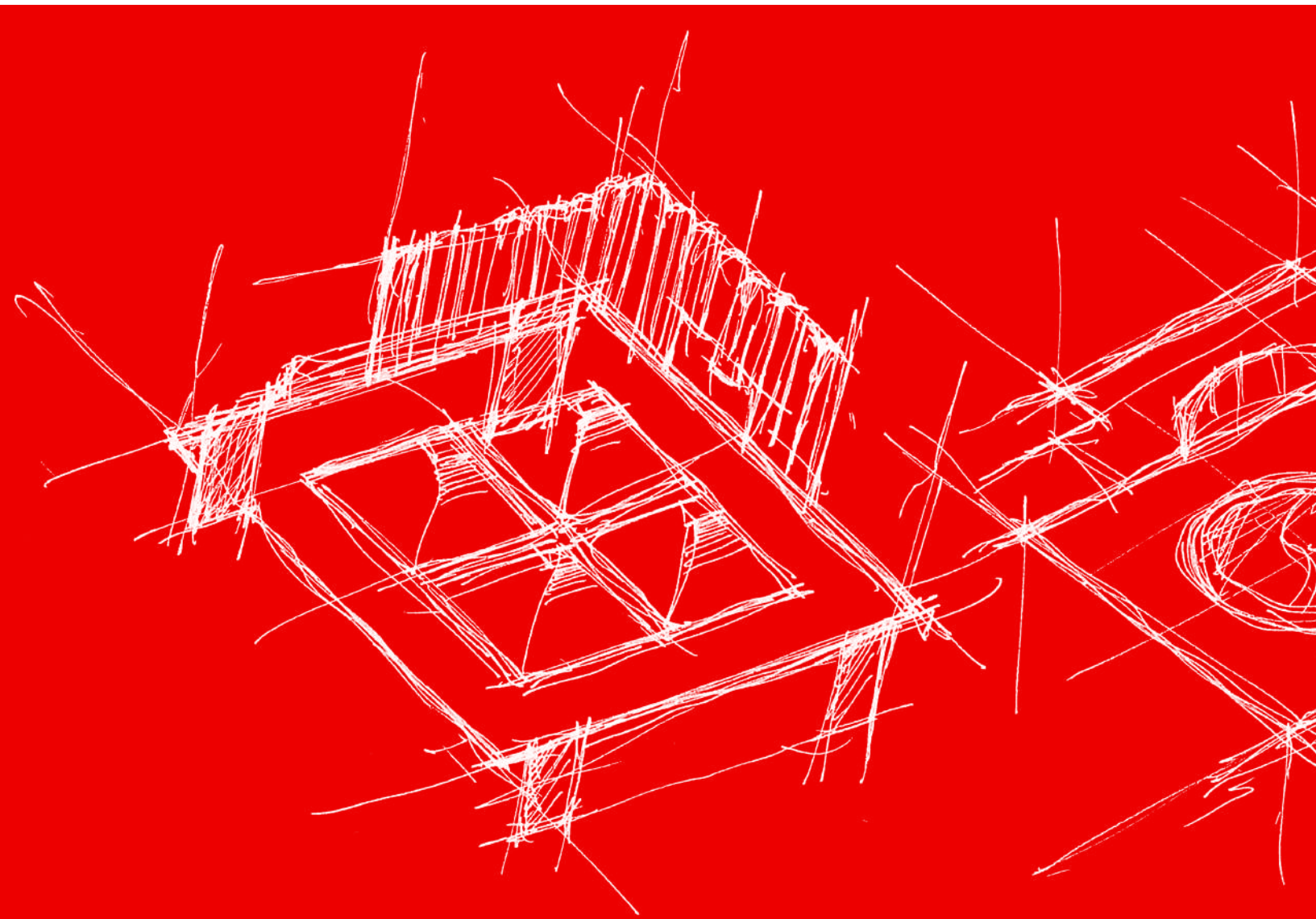


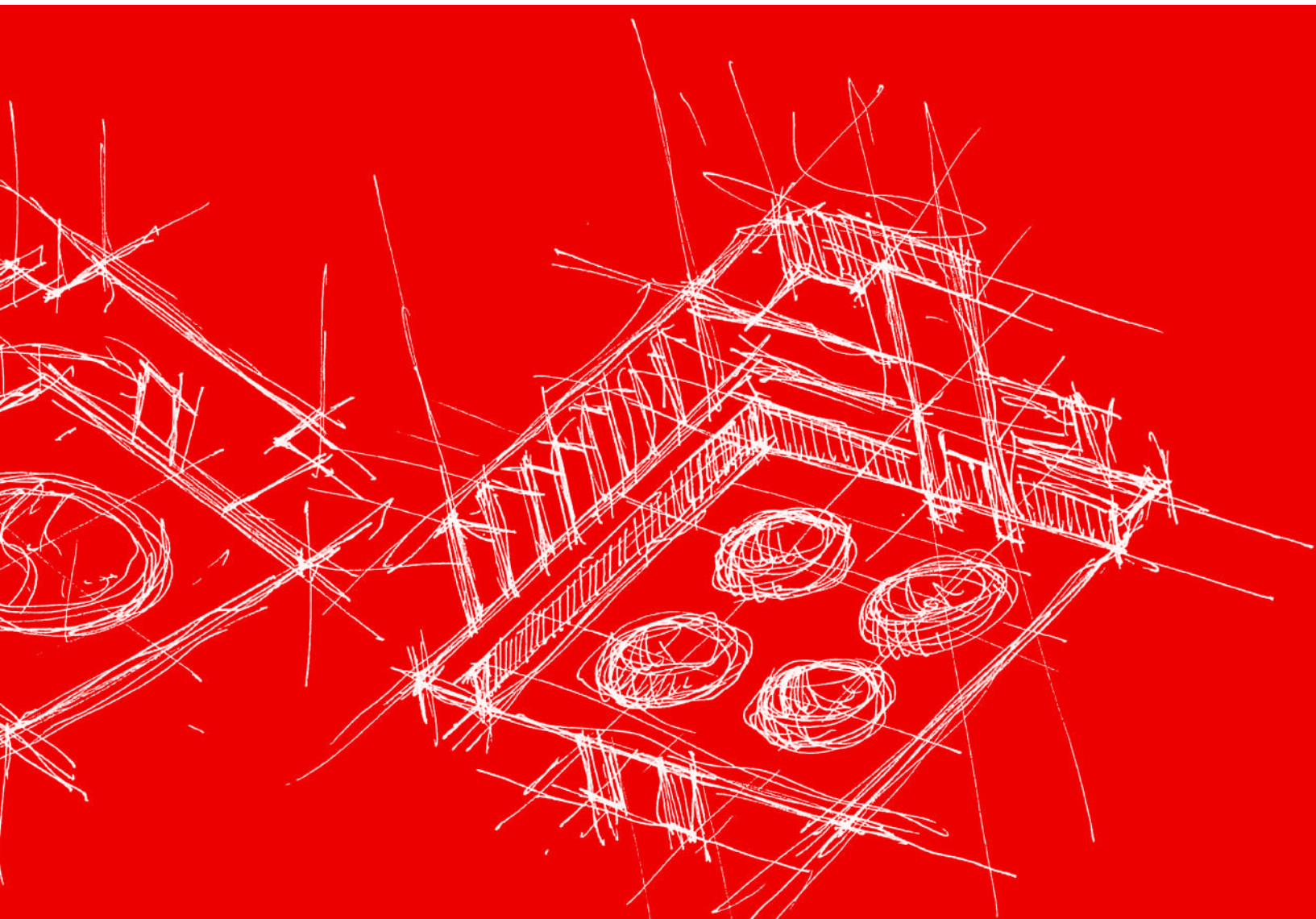
Dimensions (mm)

Ø	h
32	300
42	300

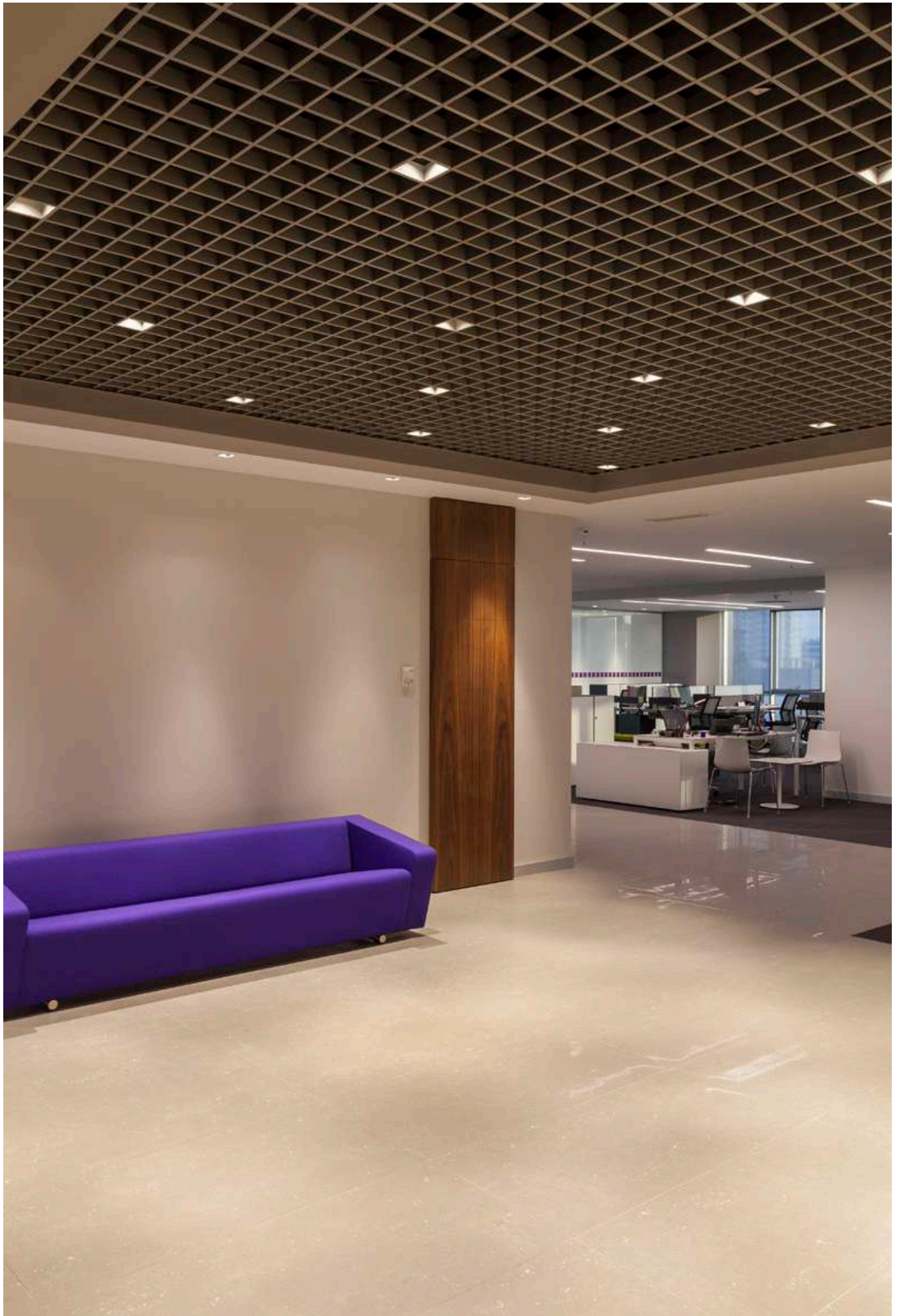
Photometric Data







Cell Ceiling Luminaires



LORY MESH



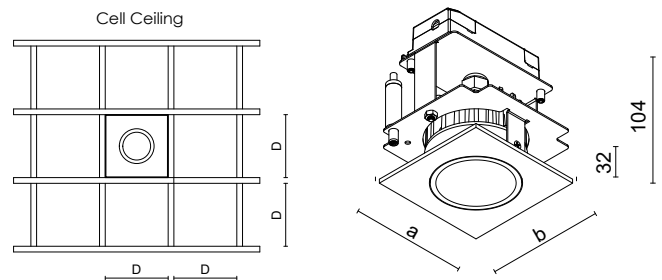
CELL CEILING

Designed as a recessed luminaire, LORY MESH can be easily placed in open ceiling cells. Thanks to its LED technology, it provides high energy savings; It does not create glare even at maximum light output.

Housing	Aluminium Housing
Optic	24° / 36° / 60° Reflector
Light Source	COB LED
Power Consumption	8W / 10W / 15W / 20W
Lumen	800 lm / 984 lm / 1378 lm / 1820 lm
Input Voltage	220-240V AC 50/60 Hz
Color Temperature	2700K / 3000K / 4000K / 6500K
CRI	>80
IP (Housing)	IP20
Mounting Type	Cell Ceiling
Housing Colour	RAL 9005 / RAL 9006 / RAL 9016

Options

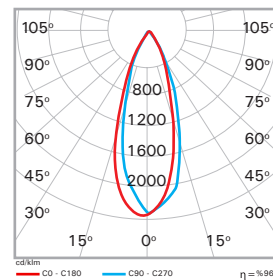
Emergency Kit	Yes (1-3 Hours)
DALI Compatibility	Yes
CRI	>90



Dimensions (mm)

a	b	Cell Ceiling Dimension
69,5	69,5	70 x 70
74,5	74,5	75 x 75
79,5	79,5	80 x 80
84,5	84,5	85 x 85
89,5	89,5	90 x 90

Photometric Data



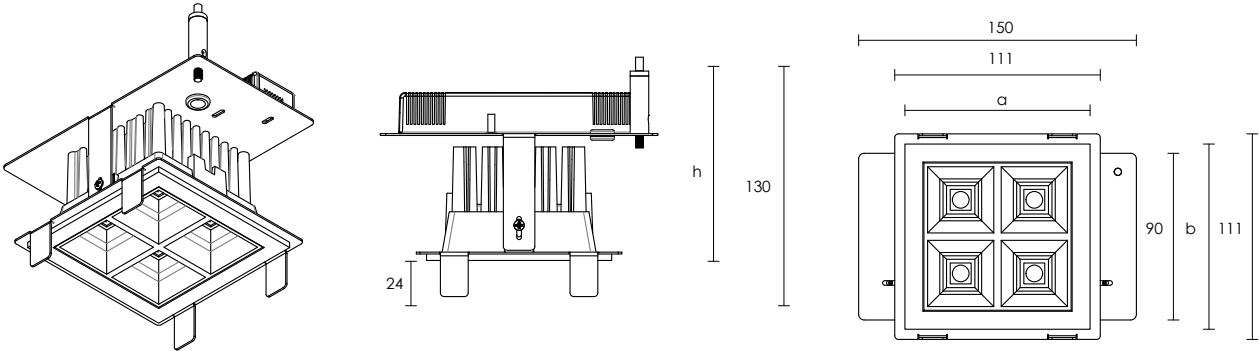
GIZA MESH



GIZA MESH, which minimizes glare even at maximum light output, can be easily installed in open ceiling cells. In addition to having high energy savings thanks to its special optical design lenses, it enables 50° and 80° light distribution.

Housing	Aluminium Housing
Optic	50° / 80° Lens + Reflector (Black)
Light Source	SMD LED
Power Consumption	8W / 10W / 15W / 20W / 28W
Lumen	894 lm / 1076 lm / 1543 lm / 2200 lm / 2962 lm
Input Voltage	220-240V AC 50/60 Hz
Color Temperature	2700K / 3000K / 4000K / 6500K
CRI	>80
IP (Housing)	IP20
Mounting Type	Cell Ceiling
Housing Colour	RAL 9005 / RAL 9006 / RAL 9016

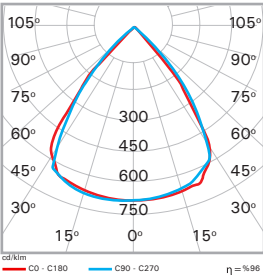
Options	
Emergency Kit	Yes (1-3 Hours)
DALI Compatibility	Yes
CRI	>90



Dimensions (mm)

a	b	h	Cell Ceiling Dimension
100	100	105	100 x 100

Photometric Data



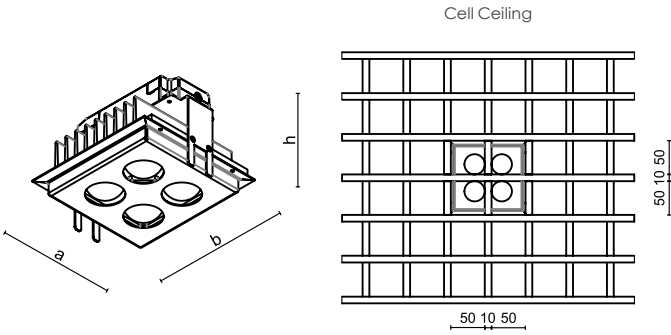
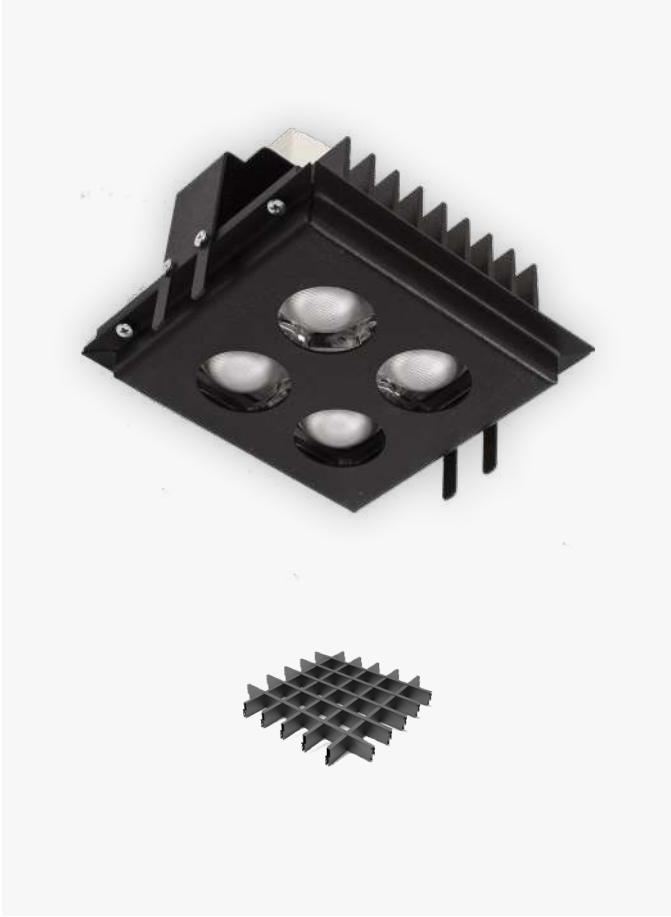
MIDDY MESH



Thanks to its LED technology, MIDDY MESH is energy efficient. Thanks to its design, it can be easily mounted in open ceiling cells, which makes the luminaire body almost invisible and provides a stylish appearance in your architectural spaces.

Housing	Aluminium Housing
Optic	60° Lens
Light Source	SMD LED
Power Consumption	8W / 10W / 15W
Lumen	640 lm / 800 lm / 1138 lm
Input Voltage	220-240V AC 50/60 Hz
Color Temperature	2700K / 3000K / 4000K / 6500K
CRI	>80
IP (Housing)	IP20
Mounting Type	Cell Ceiling
Housing Colour	RAL 9005 / RAL 9006 / RAL 9016

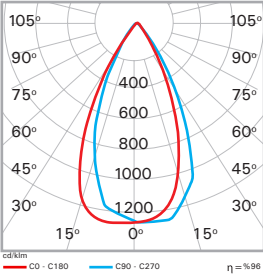
Options	
Emergency Kit	Yes (1-3 Hours)
DALI Compatibility	Yes
CRI	>90



Dimensions (mm)

a	b	h	Cell Ceiling Dimension
115	115	80	50 x 50

Photometric Data



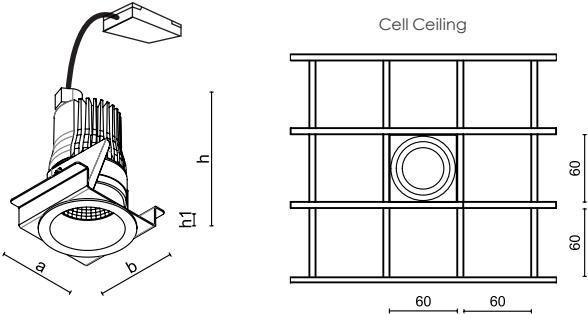
ORI SMALL MESH



ORI SMALL MESH has a structure that does not create glare due to its 58mm diameter, micro-sized and deeply positioned light source. In addition to being easily integrated into open ceiling cells; Thanks to its high light efficiency, it provides significant savings compared to classical lighting.

Housing	Aluminium Housing
Optic	24° / 36° Reflector
Light Source	COB LED
Power Consumption	8W / 10W / 15W
Lumen	853lm / 1066 lm / 1437 lm
Input Voltage	220-240V AC 50/60 Hz
Color Temperature	2700K / 3000K / 4000K / 6500K
CRI	>80
IP (Housing)	IP20
Mounting Type	Cell Ceiling
Housing Colour	RAL 9005 / RAL 9006 / RAL 9016

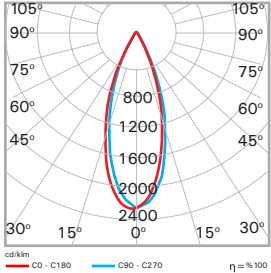
Options	
Emergency Kit	Yes (1-3 Hours)
DALI Compatibility	Yes
CRI	>90



Dimensions (mm)

a	b	h	h1	Cell Ceiling Dimension
57	57	100	15	60 x 60

Photometric Data



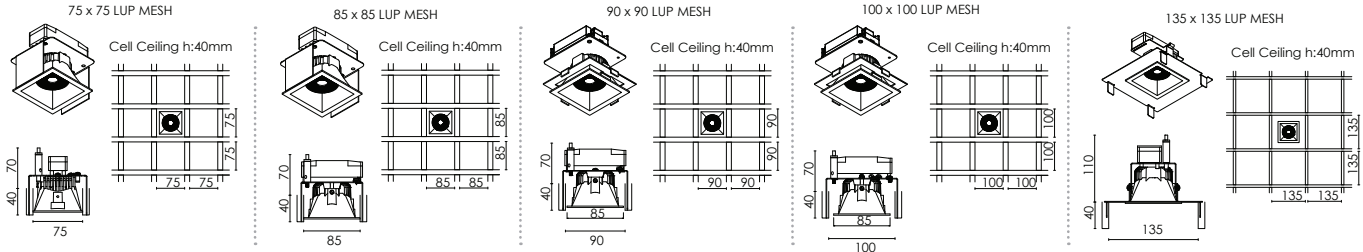
LUP KR MESH



LUP KR MESH adds a pleasant aesthetic to your architectural spaces thanks to its square frame design. Thanks to its deeply positioned LED, it captures clear light output, does not create glare and increases visual comfort. Its lenses can be easily changed where it is positioned according to the required light angle.

Housing	Aluminium Housing
Optic	24° / 36° / 60° Lens
Light Source	COB LED
Power Consumption	8W / 10W / 15W
Lumen	852 lm / 1045 lm / 1435 lm
Input Voltage	220-240V AC 50/60 Hz
Color Temperature	2700K / 3000K / 4000K / 6500K
CRI	>80
IP (Housing)	IP20
Mounting Type	Cell Ceiling
Housing Colour	RAL 9005 / RAL 9016 / RAL 7016

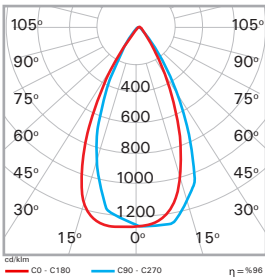
Options	
Emergency Kit	Yes (1-3 Hours)
DALI Compatibility	Yes
CRI	>90

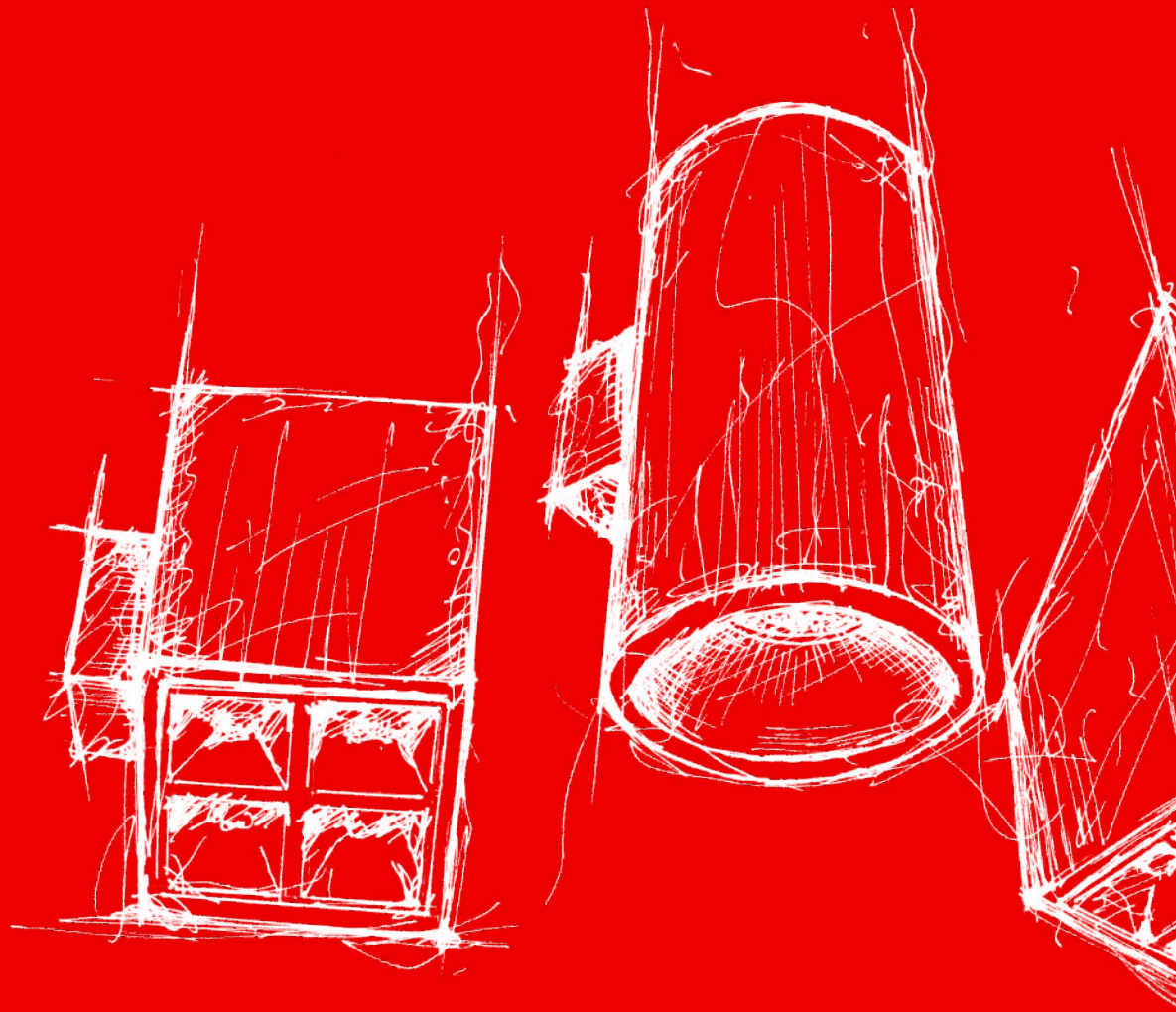


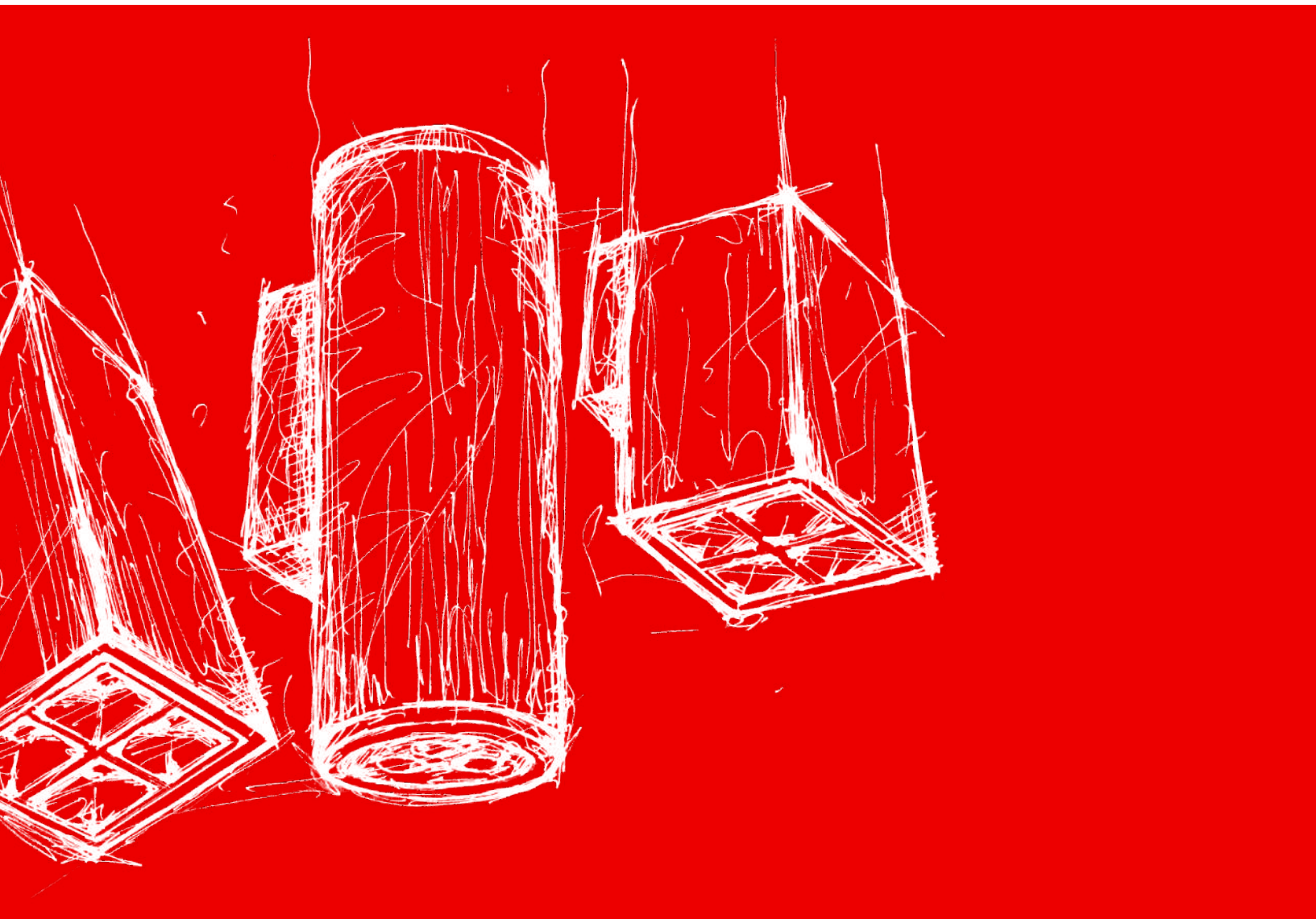
Dimensions (mm)

a	b	h1	h	Cell Ceiling Dimension (D)
75	75	40	70	75 x 75
85	85	40	70	85 x 85
90	90	40	70	90 x 90
100	100	40	70	100 x 100
148	148	40	110	135 x 135

Photometric Data







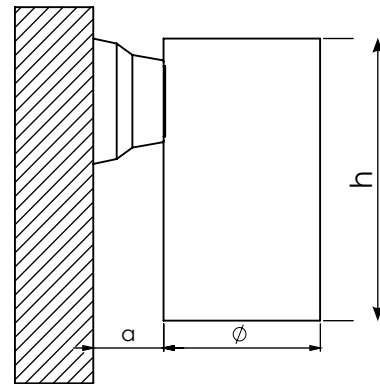
Wall Mounted Luminaires



Designed as a stylish and decorative complement to architectural spaces, VENO softens sharp shadows with its clean light output. It is multifunctional with various optical and lumen options. Thanks to its deep light source, it provides a lighting experience that does not tire the eyes.

Housing	Aluminium Housing
Optic	15° / 30° Reflector
Light Source	COB LED
Power Consumption	6W / 8W / 10W / 12W
Lumen	596 lm / 794 lm / 992 lm / 1192 lm
Input Voltage	220-240V AC 50/60 Hz
Color Temperature	2700K / 3000K / 4000K / 6500K
CRI	>80
IP (Housing)	IP20
Mounting Type	Surface Mounted
Housing Colour	RAL 9016 / RAL 9005 / RAL 9006

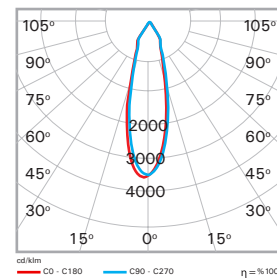
Options	
Emergency Kit	None
DALI Compatibility	Yes (except 210 mm)
Diffuser	Opal
CRI	>90



Dimensions (mm)

a	h	Ø
45	180	100

Photometric Data



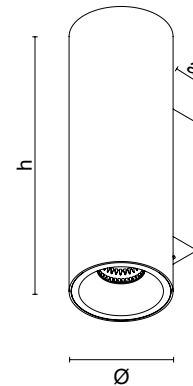
VENO DOUBLE SIDE



VENO displays light in an aesthetic and stylish way with its bi-directional feature. Designed as a decorative complement to architectural areas, VENO adds difference to the atmosphere of the area by softening sharp shadows.

Housing	Aluminium Housing
Optic	24° / 36° / 60° Reflector
Light Source	COB LED
Power Consumption	10 W / 15 W / 20 W / 28 W
Lumen	1060 lm / 1530 lm / 2040lm / 2856 lm
Input Voltage	220-240V AC 50/60 Hz
Color Temperature	2700K / 3000K / 4000K / 6500K
CRI	>80
IP (Housing)	IP20
Mounting Type	Surface Mounted
Housing Colour	RAL 9016 / RAL 9005 / RAL 9006

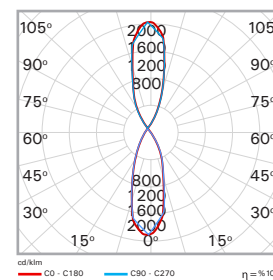
Options	
Emergency Kit	None
DALI Compatibility	Yes
Diffuser	Opal
CRI	>90



Dimensions (mm)

a	h	Ø
50	300	100

Photometric Data



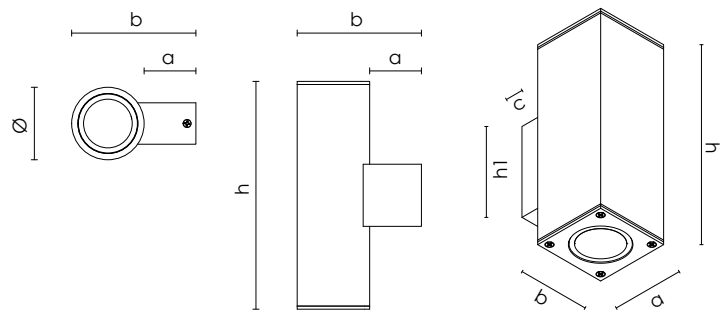
VENO IP65 YV/KR



Designed as a stylish and decorative complement to architectural spaces, the VENO IP65 Two-Way Sconce softens sharp shadows thanks to its clean light output. It is multifunctional with various Optic and Lumen options. Thanks to its deep Light Source, it provides an eye-friendly lighting experience.

Housing	Aluminium Housing
Optic	24° / 36° / 60° Lens
Light Source	COB LED
Power Consumption	10W / 15W / 20W / 28W
Lumen	1060 lm / 1530 lm / 2040lm / 2856 lm
Input Voltage	220-240V AC 50/60 Hz
Color Temperature	2700K / 3000K / 4000K / 6500K
CRI	>80
IP (Housing)	IP65
Mounting Type	Surface Mounted
Housing Colour	RAL 9016 / RAL 9005 / RAL 9006

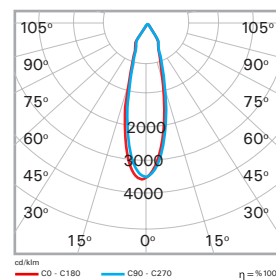
Options	
Emergency Kit	None
DALI Compatibility	Yes
Diffuser	Opal
CRI	>90



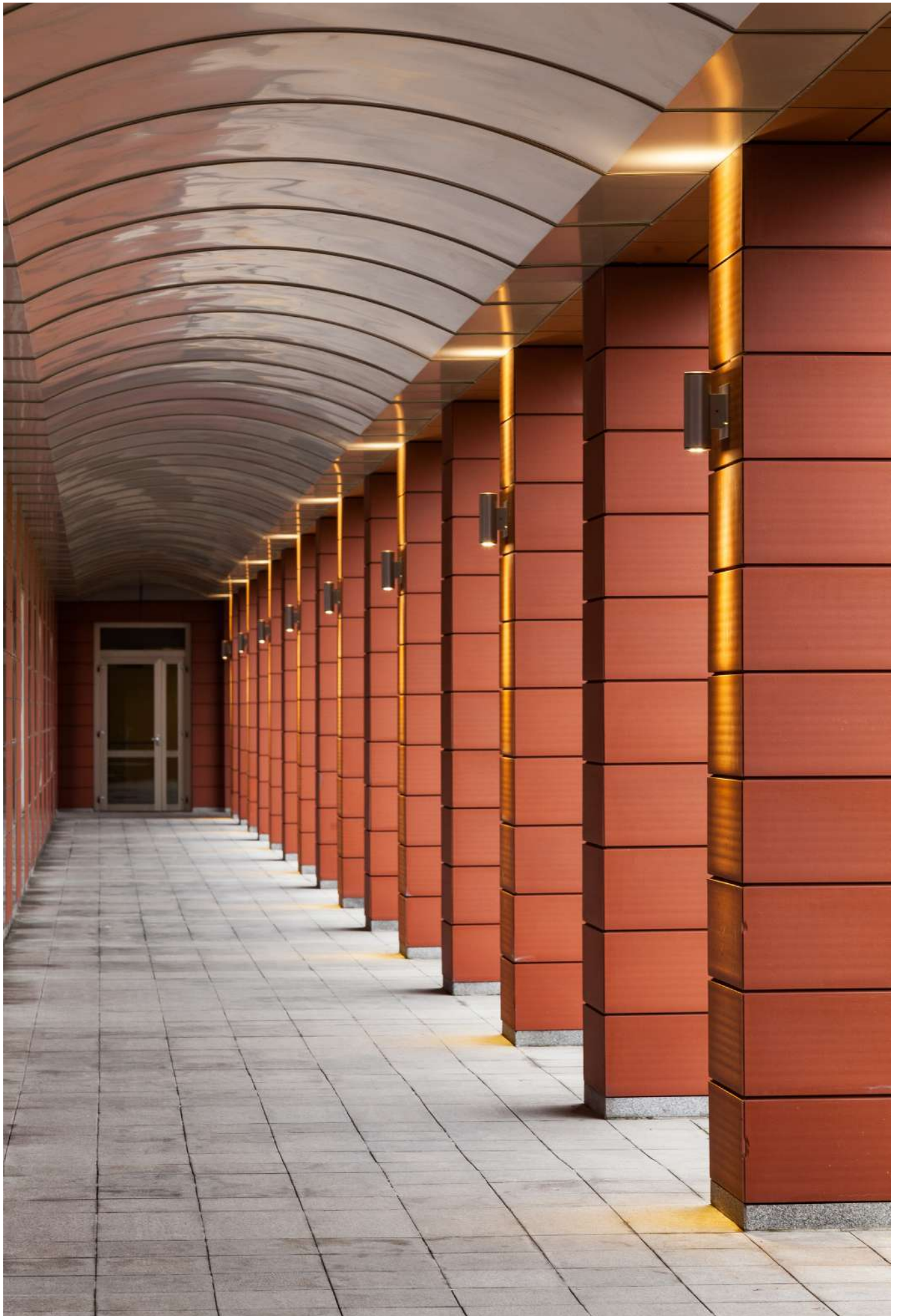
Dimensions (mm)

Product	a	b	c	h	h1	Ø
YV	50	120	-	220	-	70
KR	80	80	50	210	100	-

Photometric Data



cd/klm
— C0 - C180 — C90 - C270 $\eta = \%100$



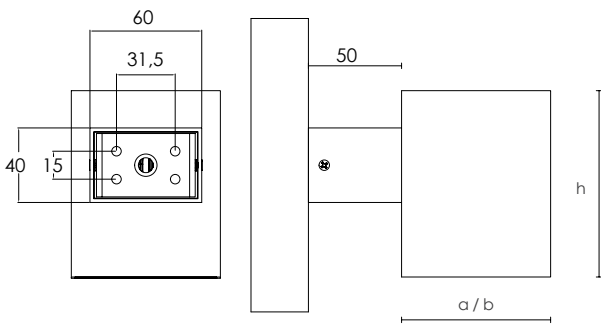


Standing out with its modern design and maximum light efficiency, ART WALL MOUNTED adds an aesthetic touch to spaces. Featuring LED technology, ART WALL MOUNTED provides high-performance lighting by consuming low energy.

Housing	Aluminium Housing
Optic	24° / 36° / 60° Reflector
Light Source	COB LED
Power Consumption	8W / 10W / 15W
Lumen	800 lm / 995 lm / 1344 lm
Input Voltage	220-240V AC 50/60 Hz
Color Temperature	2700K / 3000K / 4000K / 6500K
CRI	>80
IP (Housing)	IP20
Mounting Type	Surface Mounted
Housing Colour	RAL 9005 / RAL 9006 / RAL 9016

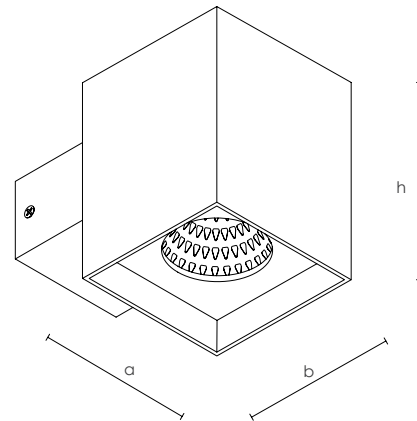
Options

Emergency Kit	None
DALI Compatibility	None
CRI	>90

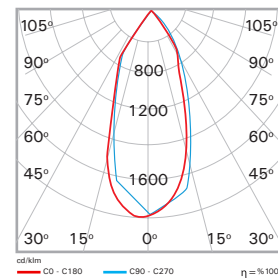


Dimensions (mm)

a	b	h
80	80	100



Photometric Data



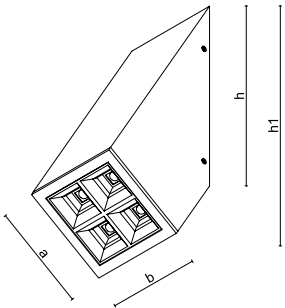
GIZA ASYMMETRIC



GIZA WALL MOUNTED ASYMMETRICAL, which looks like it is coming out of the wall, brings a new perspective to wall lamp design with its 30° asymmetrical form. With its deep reflective structure, it does not create glare and increases visual comfort. It can be mounted in different ways with its special base.

Housing	Aluminium Housing
Optic	50° / 80° Lens + Reflector (Black)
Light Source	SMD LED
Power Consumption	8W / 10W / 15W / 20W / 28W
Lumen	894 lm / 1076 lm / 1543 lm / 2200 lm / 2962 lm
Input Voltage	220-240V AC 50/60 Hz
Color Temperature	2700K / 3000K / 4000K / 6500K
CRI	>80
IP (Housing)	IP20
Mounting Type	Surface Mounted
Housing Colour	RAL 9005 / RAL 9006 / RAL 9016

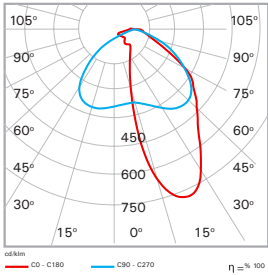
Options	
Emergency Kit	None
DALI Compatibility	Yes
CRI	>90



Dimensions (mm)

a	b	h	h1
100	100	200	275

Photometric Data



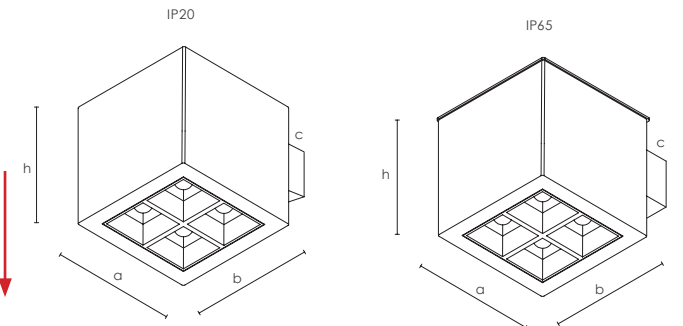
GIZA IP65/IP20



GIZA WALL MOUNTED does not create glare with its deeply positioned light source, which brings a new perspective to the classic sconce design. It provides protection against dust and water sprays with its IP65 protection class. Thanks to its highly efficient special optical design lenses, it offers 50° and 80° circular light distribution.

Housing	Aluminium Housing
Optic	50° / 80° Lens + Reflector (Black)
Light Source	SMD LED
Power Consumption	8W / 10W / 15W / 20W / 28W
Lumen IP20	894 lm / 1076 lm / 1543 lm / 2200 lm / 2962 lm
Lumen IP65	855 lm / 1016 lm / 1364 lm / 2079 lm / 2807 lm
Input Voltage	220-240V AC 50/60 Hz
Color Temperature	2700K / 3000K / 4000K / 6500K
CRI	>80
IP (Housing)	IP65 / IP20
Mounting Type	Surface Mounted
Housing Colour	RAL 9005 / RAL 9006 / RAL 9016

Options	
Emergency Kit	None
DALI Compatibility	Yes
CRI	>90

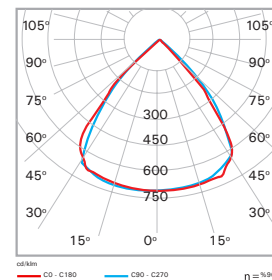


For good waterproof performance in the IP65 model, the mounting direction should be downward ▼ to remain within warranty conditions, please avoid reverse light output installation.

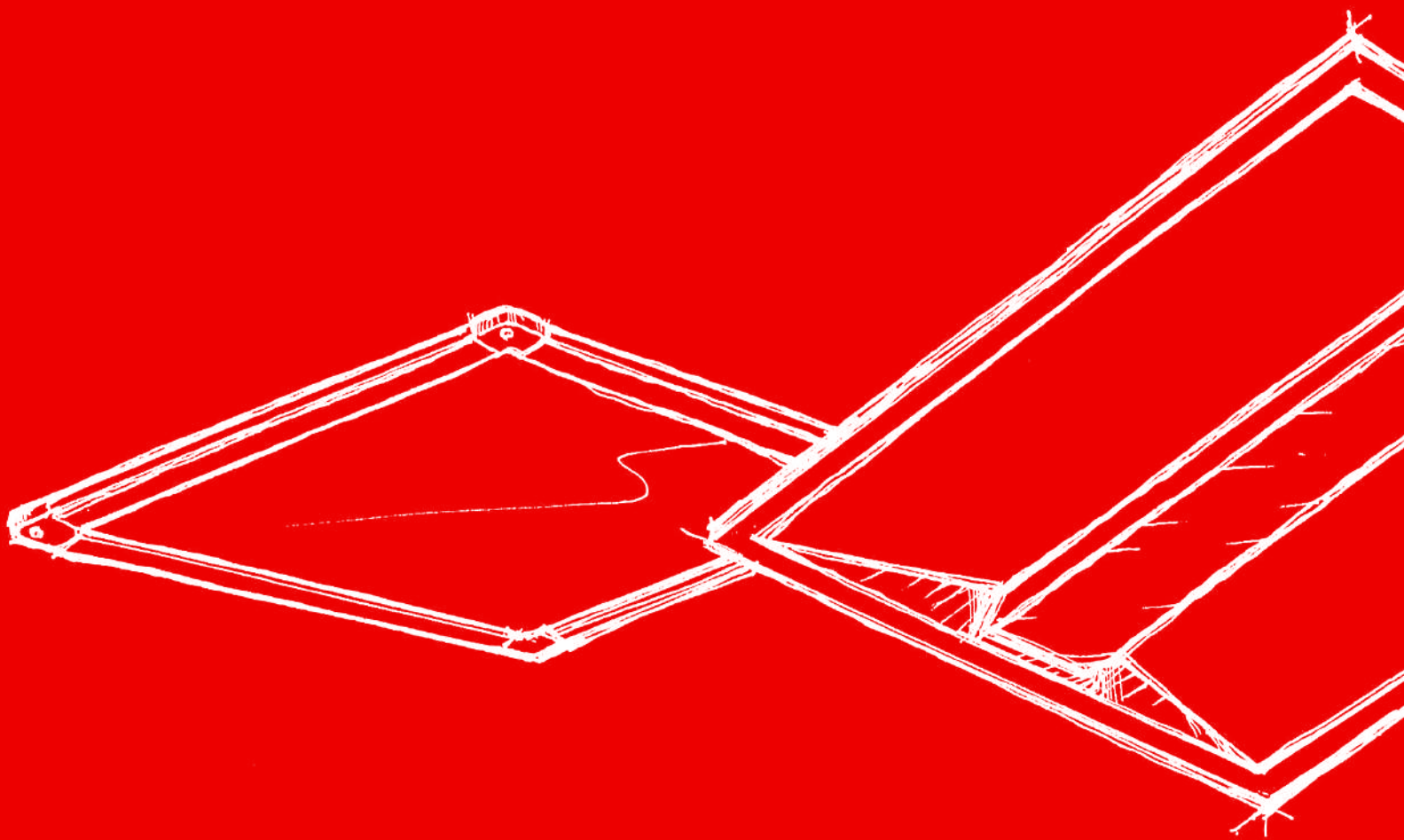
Dimensions (mm)

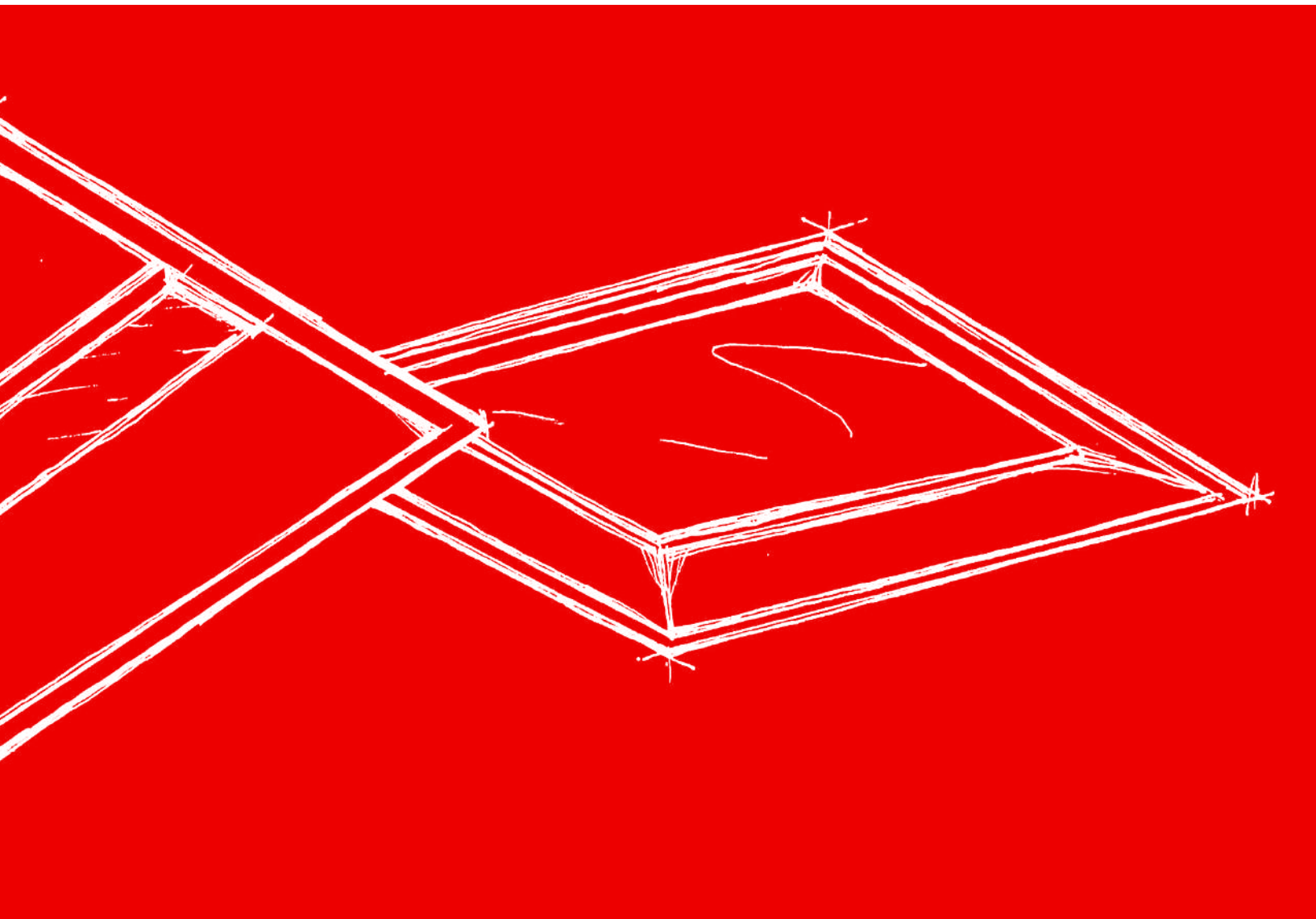
a	b	c	h
105	105	60	100

Photometric Data









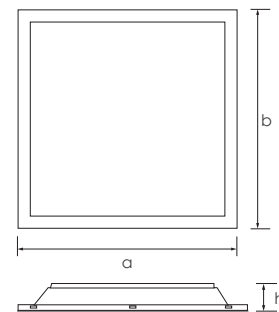
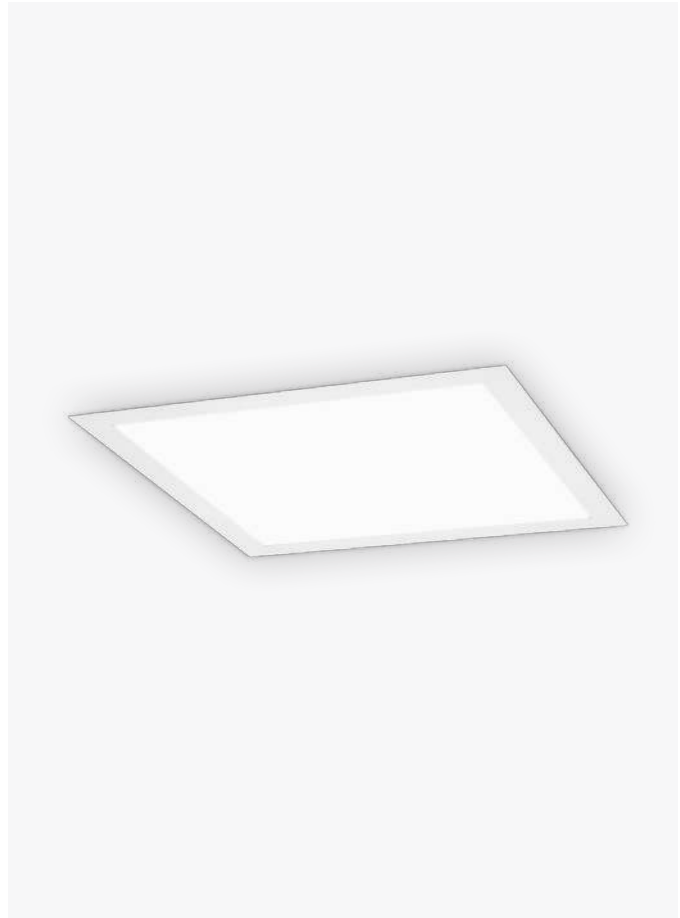
Office Luminaires



BLOOM is ideal for illuminating offices, schools and retail areas thanks to its opal diffuser. Light surfaces defined in different sizes can be adapted to modular ceiling types.

Housing	Sheet Body		
Diffuser	Opal Diffuser / Glare Controlled (KM)		
Light Source	Mid Power LED		
Power Consumption	8W / 10W / 12W / 15W / 20W / 24W / 28W		
Lumen	Length	Power	Lumen
	60x60cm	25W	3120.5 lm
		26W	2724.4 lm
		29W	4492.9 lm
		38W	3597.1 lm
		53W	6127.6 lm
	30x30cm	18W	1355.9 lm
	30x60cm	18W	1718.9 lm
	30x90cm	30W	3181.9 lm
	30x120cm	32W	2875.9 lm
		42W	4595.9 lm
	15x120cm	18W	2397.5 lm
	60x120cm	30W	3463.1 lm
		59W	5537.2 lm
		68W	7626.7 lm
Input Voltage	220-240V AC 50/60 Hz		
Color Temperature	2700K / 3000K / 4000K / 5700K / 6500K		
CRI	>80		
IP (Housing)	IP65 / IP40 / IP20		
Mounting Type	Recessed Mounted		
Housing Colour	RAL 9003		

Options	
Emergency Kit	Yes (1-3 Hours)
DALI Compatibility	Yes
CRI	>90
Mounting Type	Plasterboard / Clip-in / Lay-in / Surface Mounted

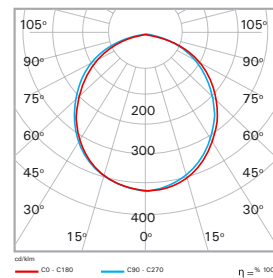


Dimensions (mm)

Plasterboard	a	b	h	Ceiling Cut-Out Dimensions
300 x 300	295	295	60	275 x 275
300 x 600	295	595	87	280 x 580
300 x 900	295	895	80	275 x 870
300 x 1200	295	1195	75	255 x 1155
600 x 600	595	595	75	580 x 580
600 x 1200	595	1195	100	575 x 1175

*The above dimensions are based on IP20 Plasterboard Housing standards.

Photometric Data



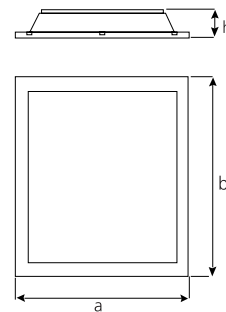
BLOOM-S NG

RECESSED
MOUNTED



BLOOM-S NG has clean lines; It has a wide range of uses, from hospitals to schools, from offices to retail. It is energy efficient with advanced LED technology. Standing out with being both environmentally friendly and economical, BLOOM-S NG increases your energy efficiency and reduces your costs by offering a long-term lighting solution.

Housing	Sheet Body
Diffuser	Opal Polistren Diffuser
Light Source	Mid Power LED
Power Consumption	24W / 36W
Lumen	3376 lm / 5106 lm
Input Voltage	220-240V AC 50/60 Hz
Color Temperature	3000K / 4000K / 5700K / 6500K
CRI	>80
IP (Housing)	IP20
Mounting Type	Recessed Mounted
Housing Colour	RAL 9003
Options	
Emergency Kit	Yes (1-3 Hours)
DALI Compatibility	Yes
Mounting Type	Plasterboard / Clip-in / Lay-in / Surface Mounted

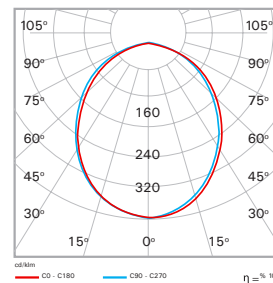


Dimensions (mm)

Plasterboard	a	b	h	d ¹ x d ²
600 x 600	595	595	75	580 x 580

*The above dimensions are based on IP20 Plasterboard Housing standards.

Photometric Data



BLOOM IP65

RECESSED
MOUNTED

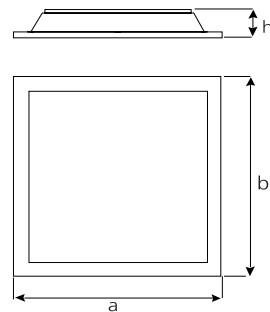
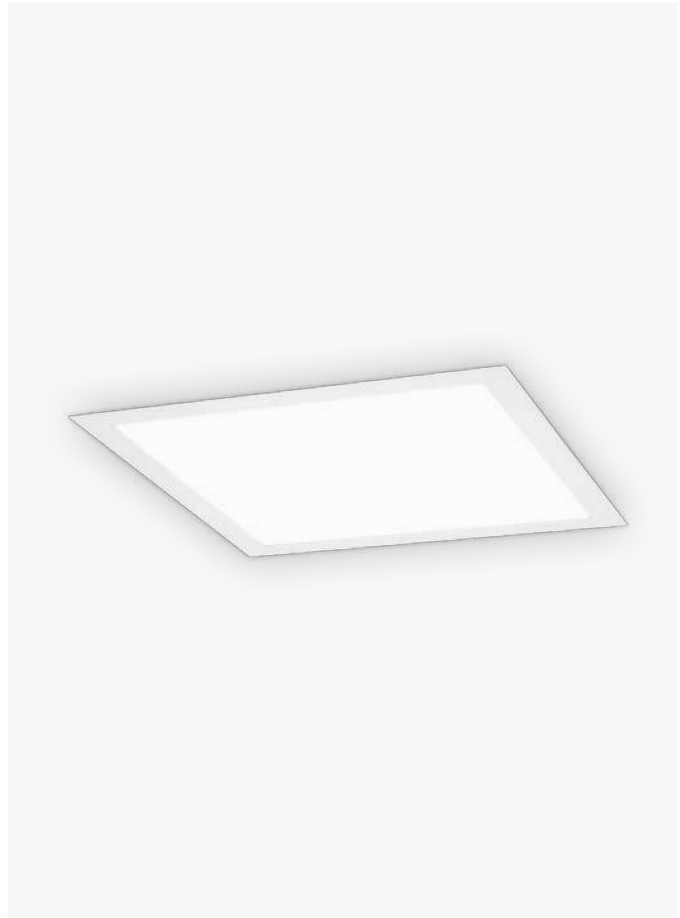


BLOOM IP65 provides the ideal lighting solution in accordance with standards in many areas such as medical product, medical equipment production, operating rooms and intensive care units that require cleanliness and hygiene. Thanks to its opal diffuser, it offers a homogeneous illumination that does not tire the eyes.

Housing	DKP Sheet Body
Diffuser	Opal Diffuser
Light Source	Mid Power LED
Power Consumption	(60x60cm) 25W
Lumen	2875 lm
Input Voltage	220-240V AC 50/60 Hz
Color Temperature	3000K / 4000K / 5700K
CRI	>80
IP (Housing)	IP65
Mounting Type	Recessed Mounted
Housing Colour	RAL 9003

Options

Emergency Kit	Yes (1-3 Hours)
DALI Compatibility	Yes
Mounting Type	Plasterboard / Rock-wool / Clip-in

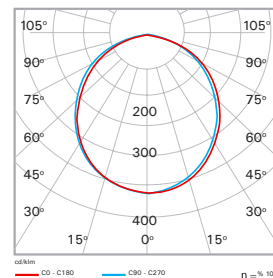


Dimensions (mm)

Plasterboard	a	b	h	Ceiling Cut-Out Dimensions
600 x 600	633	633	86	610 x 610

*The above dimensions are based on IP20 Plasterboard Housing standards.

Photometric Data





BLOOM V5

RECESSED
MOUNTED

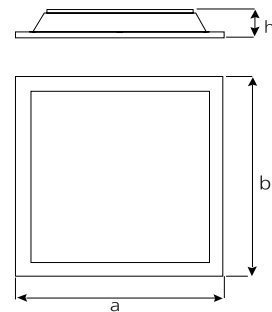
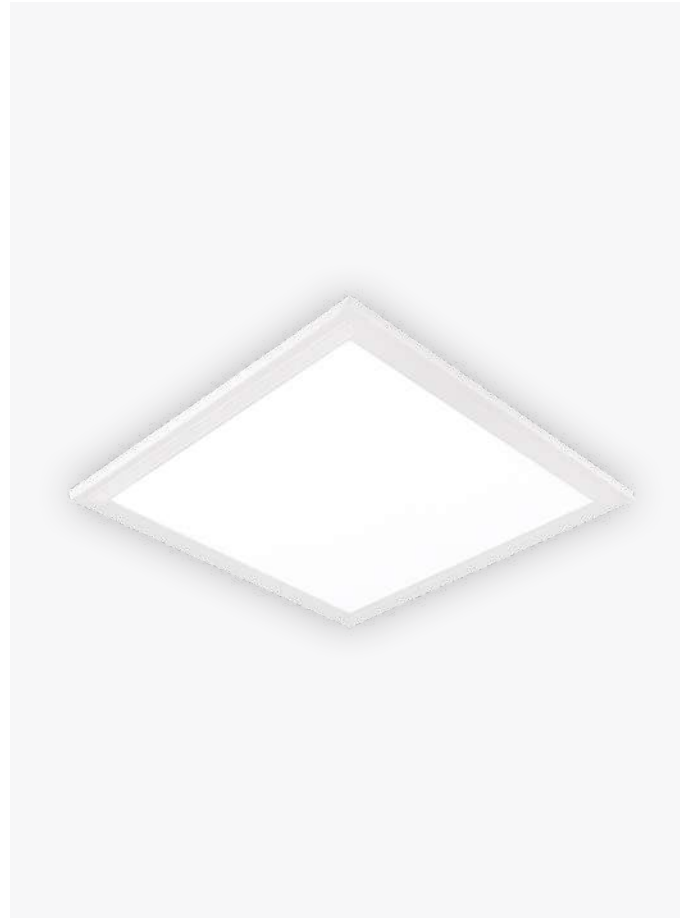


BLOOM V5 is designed to meet the needs of all types of interiors. With different sizes and color temperatures, it helps you create the atmosphere you want in your living spaces. Equipped with LED technology, BLOOM V5 not only offers an environmentally friendly option with low energy consumption; With its recessed mounted design, plasterboard, rock wool, etc. it integrates into the ceilings as a whole.

Housing	Painted Sheet Metal
Diffuser	Opal Diffuser
Light Source	SMD LED
Power Consumption	30x30 16W 60x60 36W
Lumen	2080 lm / 4723 lm
Input Voltage	220-240V AC 50/60 Hz
Color Temperature	4000K / 6500K
CRI	>80
IP (Housing)	IP20 / IP65 (Product Housing)
Mounting Type	Recessed Mounted
Housing Colour	RAL 9003

Options

Emergency Kit	Yes (1-3 Hours)
DALI Compatibility	Yes
False Ceiling	Plasterboard / Rock-wool / Clip-in
Compatibility	/ Lay-in / Acoustic

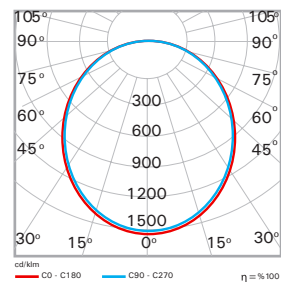


Dimensions (mm)

Products	a	b	h	Ceiling Cut-Out Dimensions
300 x 300	295	295	35	300 x 300
600 x 600	595	595	35	600 x 600

*The above dimensions are based on IP20 Plasterboard Housing standards.

Photometric Data



BLOOM STERIL IP65/IP40

RECESSED MOUNTED

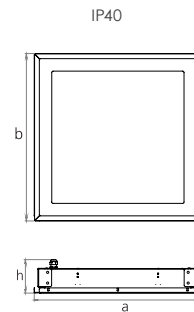
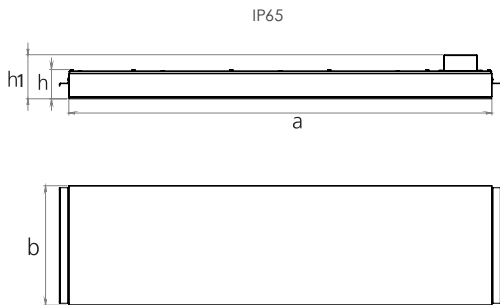
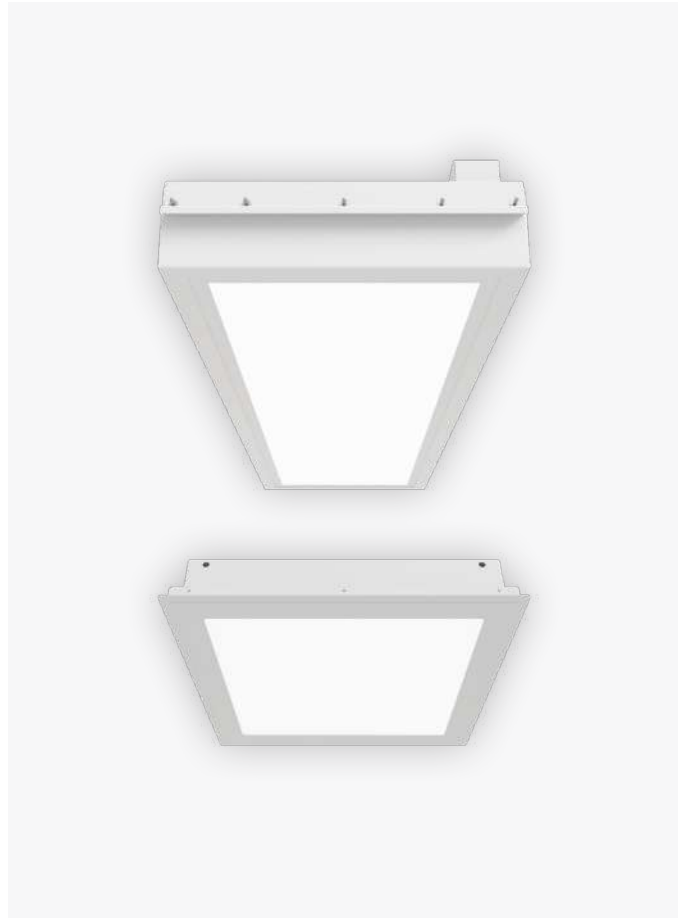


It is especially designed to meet the demanding requirements of controlled environments where cleanliness and sterility are very important, and stands out with its compliance with GMP conditions. It provides full protection against dust and splashes of water with its IP65 and IP40 classes. It fulfills its compliance with clean room standards by minimizing the risk of glare with its opal diffuser. It completely meets the lighting needs of sectors such as pharmaceuticals, food, biotechnology, electronics production and sterile laboratories.

Housing	Sheet Body
Diffuser	Opal Diffuser
Light Source	Mid Power LED
Power Consumption	47W / 53W
Lumen	4400 lm / 6156 lm
Input Voltage	220-240V AC 50/60 Hz
Color Temperature	3000K / 4000K / 5700K
CRI	>80
IP (Housing)	IP65/ IP40
Mounting Type	Recessed Mounted
Housing Colour	RAL 9003

Options

Emergency Kit	Yes (1-3 Hours)
DALI Compatibility	Yes
False Ceiling	Plasterboard / Rockwool / Clip-in
Compatibility	/ Lay-in / Acoustic

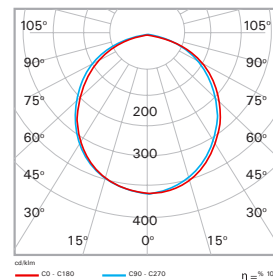


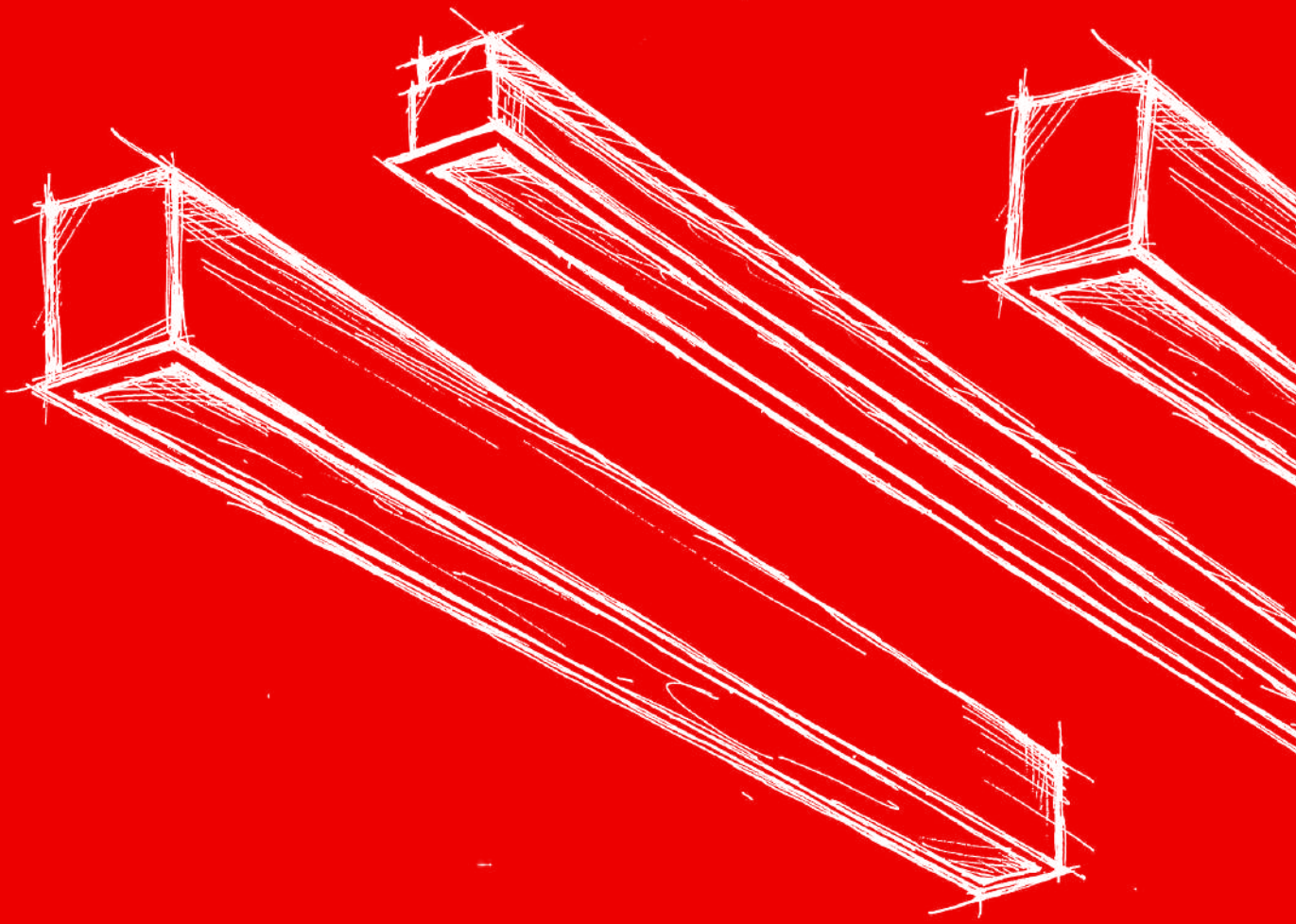
Dimensions (mm)

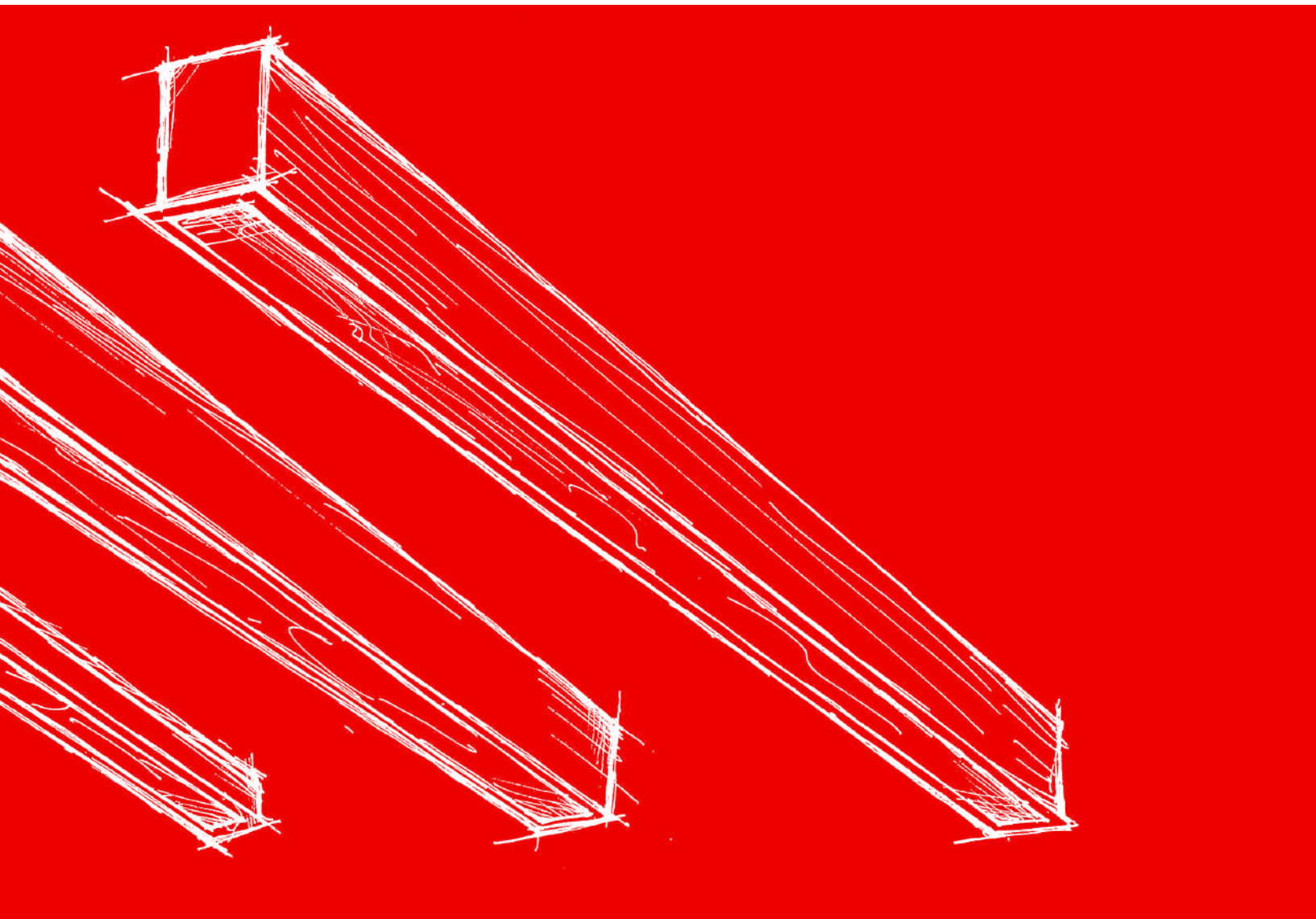
IP65 600 x 600	a	b	h
	625	625	125

IP40 300 x 1080	a	b	h	h1
	1080	300	79	1185

Photometric Data







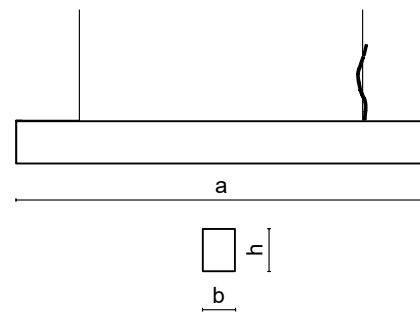
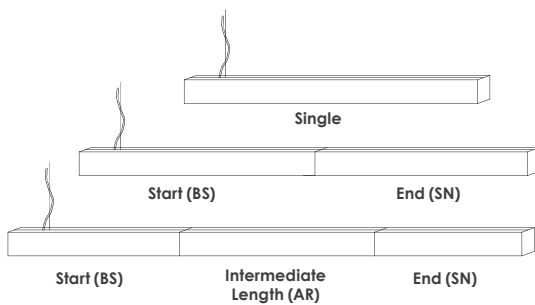
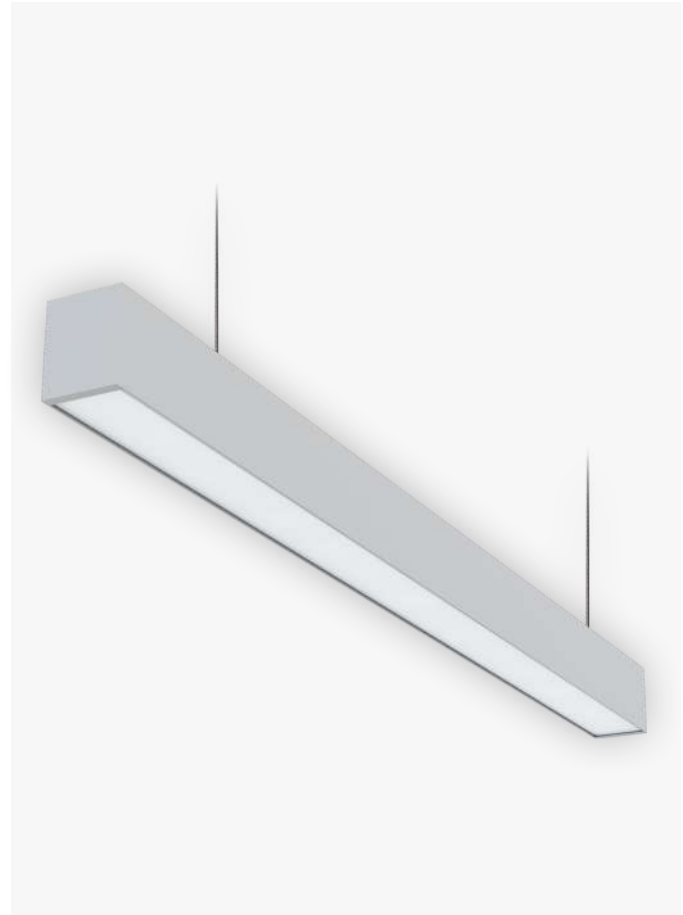
Linear Trunking Luminaires

STL can be used as a single module or combined in long lines to obtain an uninterrupted linear lighting system. In addition to being able to be used on the surface, it also brings a stylish touch to your living spaces as a pendant luminaire thanks to its mounting accessories. STL creates a new atmosphere in the area where it is used and provides uninterrupted lighting needed by your architectural areas.

Housing	Aluminium Housing
Diffuser	Opal Diffuser
Light Source	Mid Power LED
Power Consumption	20W / 30W / 40W / 50W / 60W / 65W / 80W / 100W
Lumen	1938 lm / 2900 lm / 3875 lm / 4845 lm / 5815 lm / 6300 lm / 7752 lm / 9690 lm
Input Voltage	220-240V AC 50/60 Hz
Color Temperature	2700K / 3000K / 4000K / 6500K
CRI	>80
IP (Housing)	IP20
Mounting Type	Surface Mounted / Pendant
Housing Colour	RAL 9005 / RAL 7047

Options

Emergency Kit	Yes (1-3 Hours, Except 60 cm Length)
DALI Compatibility	Yes
CRI	>90



Dimensions (mm)

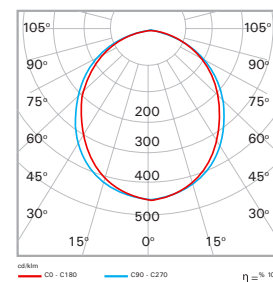
Single Modules 50 x 70 Profile			
	a	b	h
20W	600	50	70
30W	900	50	70
40W	1200	50	70
50W	1500	50	70
60W	1800	50	70
65W	2000	50	70

Single Modules 65 x 85 Profile			
	a	b	h
20W	600	65	85
30W	900	65	85
40W	1200	65	85
50W	1500	65	85
60W	1800	65	85
65W	2000	65	85

BS-SN Modules 65 x 85 Profile			
	a	b	h
20W	600	65	85
30W	900	65	85
40W	1200	65	85
50W	1500	65	85
60W	1800	65	85
65W	2000	65	85
80W	2400	65	85

AR Modules 65 x 85 Profile			
	a	b	h
30W	900	65	85
40W	1200	65	85
50W	1500	65	85

Photometric Data





STL DIRECT/INDIRECT

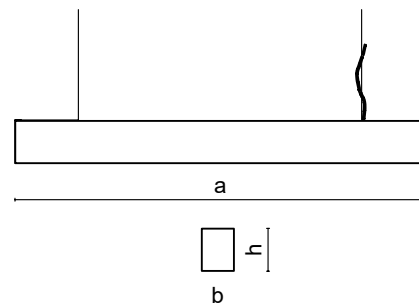
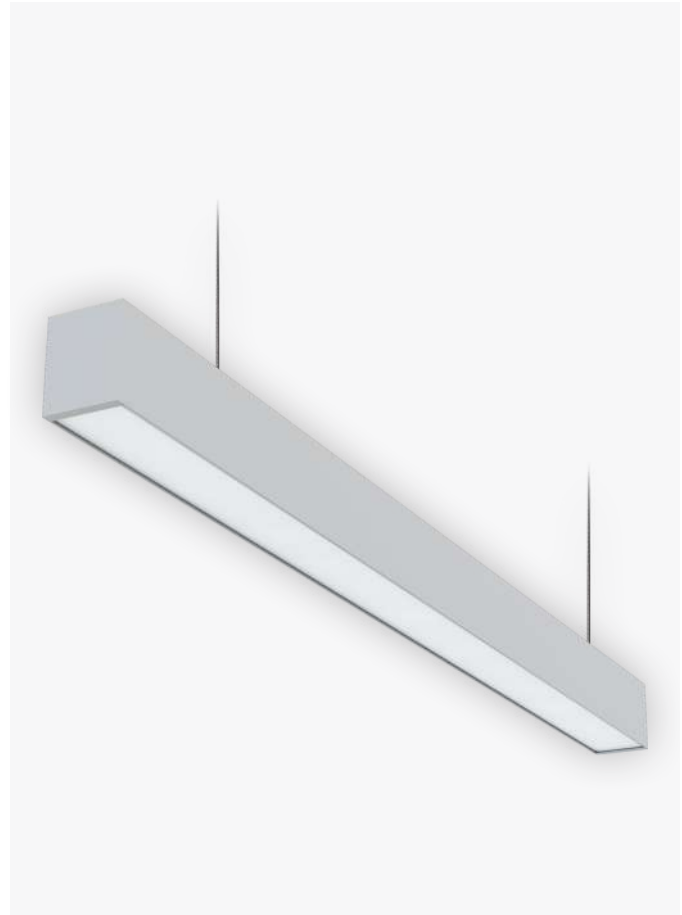


STL, which has an advanced body and a modular structure, can operate as a single module as well as long uninterrupted lines can also be created. STL, which can provide output of light both ways up and down. It also has different body length options.

Housing	Aluminium Housing
Diffuser	Opal Diffuser
Light Source	Mid Power LED
Power Consumption	900mm - 45W / 1200mm - 60W / 1500mm - 75W
Direct	900mm - 27W / 1200mm - 36W / 1500mm - 45W
Indirect	900mm - 18W / 1200mm - 24W / 1500mm - 30W
Direct Lumen	2616 lm / 3488 lm / 4360 lm
Indirect Lumen	1744 lm / 2325 lm / 2907 lm
Input Voltage	220-240V AC 50/60 Hz
Color Temperature	2700K / 3000K / 4000K / 6500K
CRI	>80
IP (Housing)	IP20
Mounting Type	Pendant
Housing Colour	RAL 9005 / RAL 7047

Options

Emergency Kit	Yes (1-3 Hours, Except 60 cm Length)
DALI Compatibility	Yes
CRI	>90



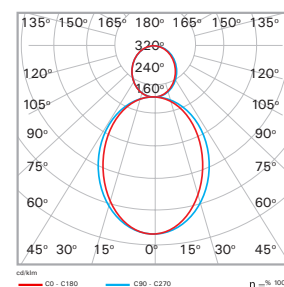
Dimensions (mm)

Single Modules			
	a	b	h
45W	900	65	88
60W	1200	65	88
75W	1500	65	88
90W	1500	65	88
100W	1800	65	88
140W	2800	65	88
150W	3000	65	88

BS-SN Modules			
	a	b	h
60W	120	65	88
75W	150	65	88

AR Modules			
	a	b	h
60W	120	65	88
75W	150	65	88

Photometric Data



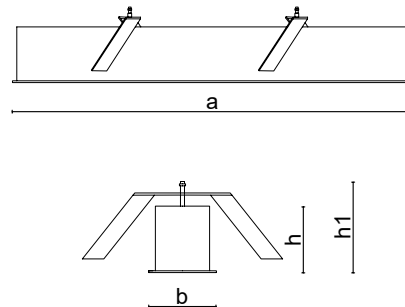
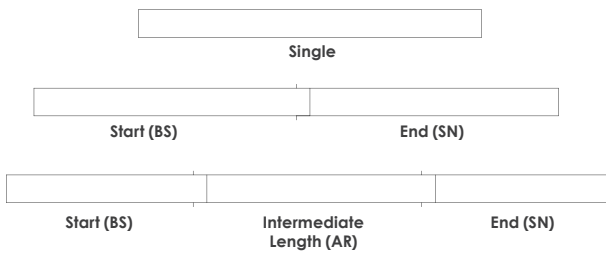


Having a modular structure, STL Recessed Mounted can operate as a single module or can be created as long uninterrupted lines. Thanks to its opal diffuser, it provides light homogeneously and without tiring the eyes.

- Housing** Aluminium Housing
- Diffuser** Opal Diffuser
- Light Source** Mid Power LED
- Power Consumption** 20W / 30W / 40W / 50W / 60W / 65W
- Direct** 900mm - 27W / 1200mm - 36W / 1500mm - 45W
- Lumen** 1938 lm / 2900 lm / 3875 lm / 4845 lm / 5815 lm / 6300 lm
- Input Voltage** 220-240V AC 50/60 Hz
- Color Temperature** 2700K / 3000K / 4000K / 6500K
- CRI** >80
- IP (Housing)** IP20
- Mounting Type** Recessed Mounted
- Housing Colour** RAL 9005 / RAL 7047

Options

- Emergency Kit** Yes (1-3 Hours, Except 60 cm Length)
- DALI Compatibility** Yes



Dimensions (mm)

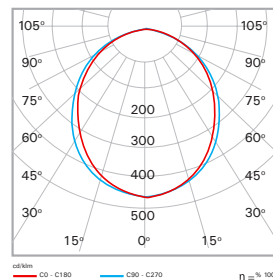
Single Modules				
	a	b	h	h1
10W - 20W	617	65	62	90
14W - 30W	917	65	62	90
19W - 40W	1217	65	62	90
24W - 50W	1517	65	62	90
29W - 60W	1817	65	62	90
31W - 65W	2017	65	62	90

BS-SN Modules				
	a	b	h	h1
19W - 40W	1208	65	62	90
24W - 50W	1508	65	62	90
29W - 60W	1808	65	62	90

AR Modules				
	a	b	h	h1
19W - 40W	1200	65	62	90
24W - 50W	1500	65	62	90
29W - 60W	1800	65	62	90

Ceiling Cut-Out Dimensions				
10W - 20W	Single Module	604 x 54		
14W - 30W	Single Module	904 x 54		
19W - 40W	Single Module	1204 x 54		
24W - 50W	Single Module	1504 x 54		
29W - 60W	Single Module	1804 x 54		
31W - 65W	Single Module	2004 x 54		

Photometric Data



TORNADO

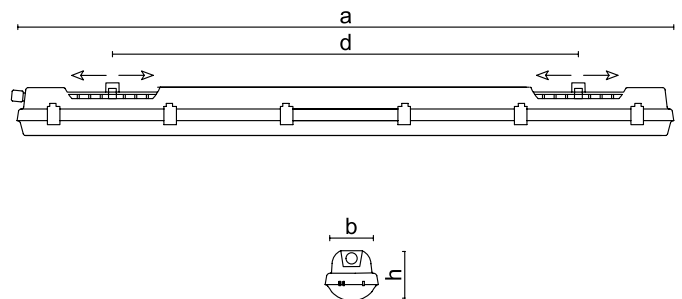
SURFACE MOUNTED



TORNADO is ideal for projects that require a balanced combination of economy and energy efficiency with its traditional body structure. Having various lumen packages and different size options provides flexibility to the user. In addition to providing full protection in humid areas with its IP66 protection class; It provides easy installation with its surface-mounted design. It achieves a more homogeneous light output with its polycarbonate opal cover.

Housing	PC Housing
Diffuser	Opal Diffuser
Light Source	Mid Power LED
Power Consumption	1200 mm 30W / 40W / 50W 1500 mm 50W / 60W / 70W / 80W
Lumen	1200 mm 4050 lm / 5400 lm / 6750 lm 1500 mm 6750 lm / 8100 lm / 10800 lm
Input Voltage	220-240V AC 50/60 Hz
Color Temperature	2700K / 3000K / 4000K / 6500K
CRI	>80
IP (Housing)	IP66
Mounting Type	Surface Mounted
Housing Colour	RAL 9003

Options	
Emergency Kit	Yes (1-3 Hours, Except 60 cm Length)
DALI Compatibility	Yes

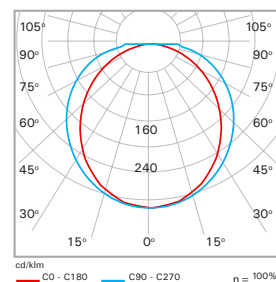


Dimensions (mm)

TRS Waterproof 120				
Power	a	b	h	d
30W	1175	98	84	700 - 960
40W	1175	98	84	700 - 960
50W	1175	98	84	700 - 960

TRS Waterproof 150				
Power	a	b	h	d
50W	1455	98	84	970 - 1230
60W	1455	98	84	970 - 1230
70W	1455	98	84	970 - 1230
80W	1455	98	84	970 - 1230

Photometric Data



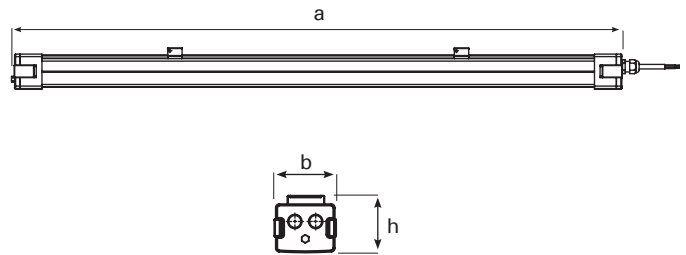
LINA NG

SURFACE MOUNTED



The renewed LINA NG stands out with its professional LED technology and offers the perfect harmony of energy saving and efficiency. LINA NG has IP66 protection class; It is a reliable option for parking lots, warehouse areas, production lines and humid areas.

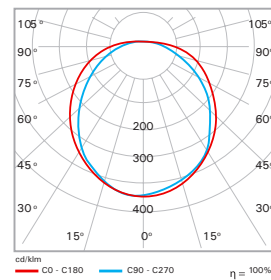
Housing	Aluminium Housing
Diffuser	Opal Diffuser
Light Source	LED
Power Consumption	25W / 30W / 34W / 41W / 55W / 64W / 73W / 84W
Lumen	2800 lm / 3945 lm / 4453 lm / 5407 lm / 6400 lm / 7300 lm / 8200 lm / 8900 lm
Input Voltage	220-240V AC 50/60 Hz
Color Temperature	3000K / 4000K / 6500K
CRI	>80
IP (Housing)	IP66
Mounting Type	Surface Mounted
Housing Colour	RAL 9006
Options	
Emergency Kit	Yes (1-3 Hours, Except 60 cm Length)
DALI Compatibility	Yes

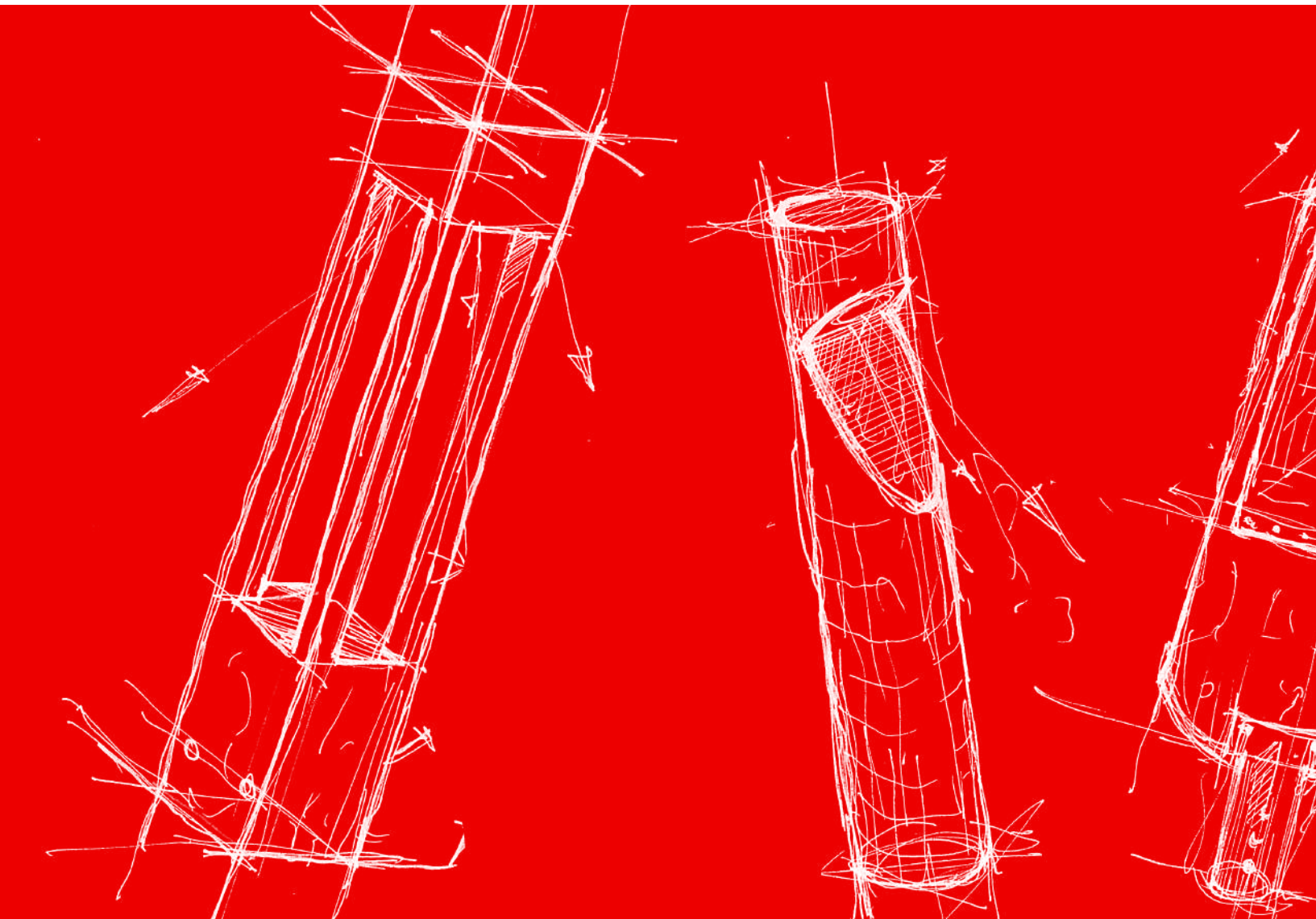


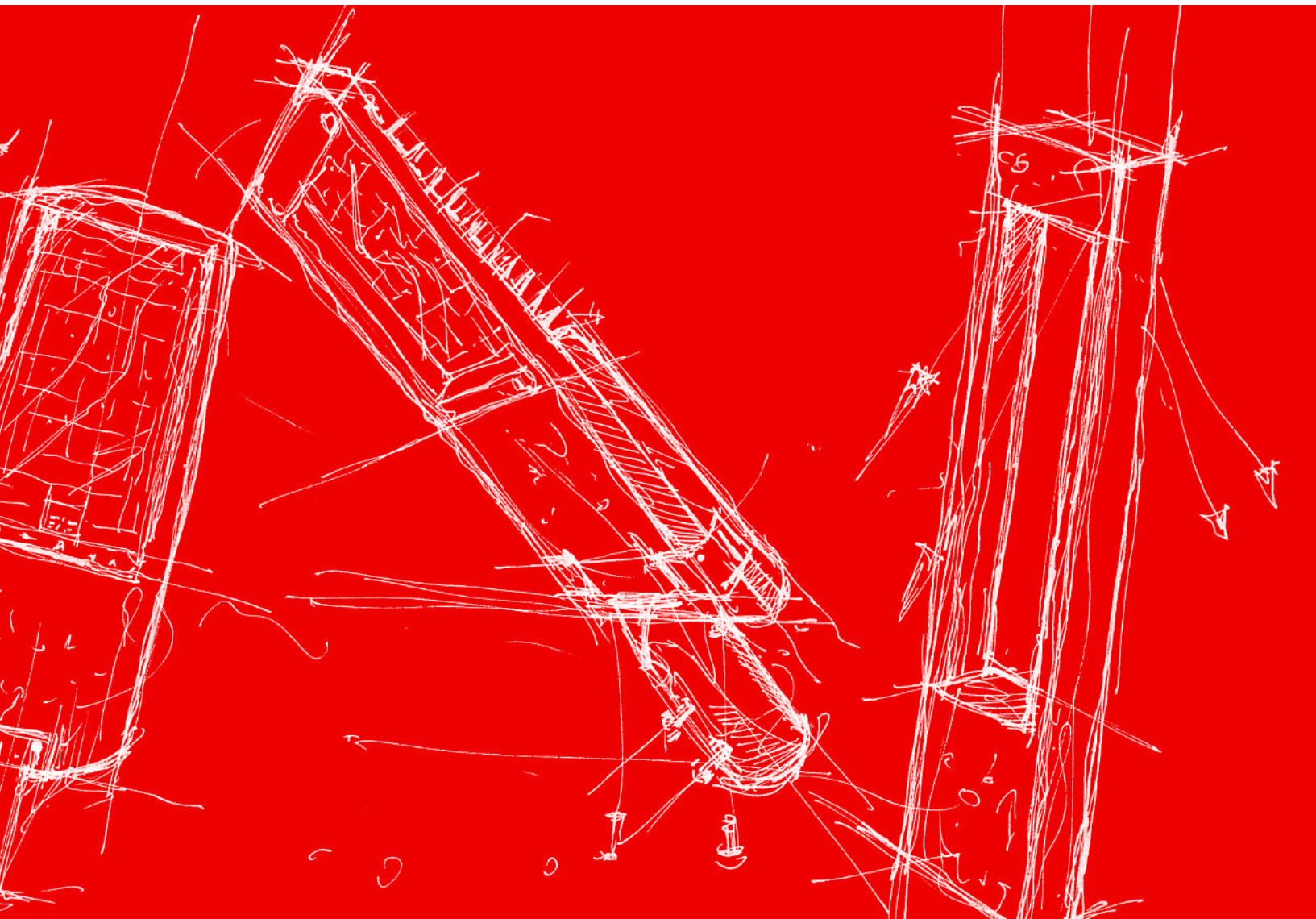
Dimensions (mm)

Housing	a	b	h
600	600	85	70
900	900	85	70
1200	1200	85	70
1500	1500	85	70

Photometric Data







Landscaping Luminaires

CAPELLO BOLARD

GROUND MOUNTED

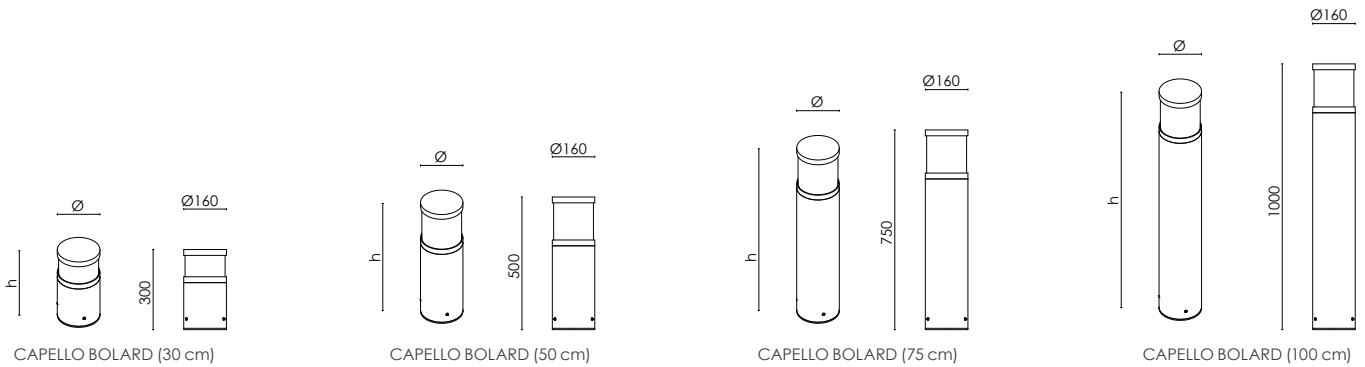


CAPELLO BOLARD is designed to provide safe lighting in decorative landscape areas. It combines aesthetics and functionality to meet the lighting needs of lawns and walkways in the best way.

Housing	Aluminium Housing (Chromate Coated)
Optic	Acrylic Diffuser
Light Source	SMD LED
Power Consumption	15W
Lumen	470 lm
Input Voltage	220-240V AC 50/60 Hz
Color Temperature	3000K / 4000K / 6500K
CRI	>80
IP (Housing)	IP66
Mounting Type	Ground Mounted
Housing Colour	RAL 7016

Options

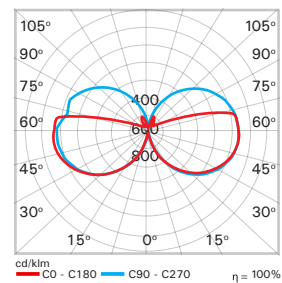
Emergency Kit	None
DALI Compatibility	Yes



Dimensions (mm)

Product	Ø	h
30 cm	160	300
50 cm	160	500
75 cm	160	750
100 cm	160	1000

Photometric Data





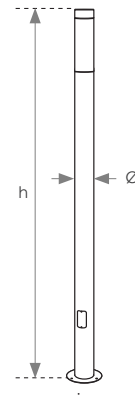
CARMELO POLE offers a unique lighting solution for walkways, gardens and lawns in landscaping with its remarkable design and forward light distribution.



Housing	Aluminium Housing (Chromate Coated)
Optic	Acrylic Diffuser
Light Source	SMD LED
Power Consumption	28W
Lumen	877 lm
Input Voltage	220-240V AC 50/60 Hz
Color Temperature	3000K / 4000K / 6500K
CRI	>80
IP (Housing)	IP66
Mounting Type	Ground Mounted
Housing Colour	RAL 7016

Options

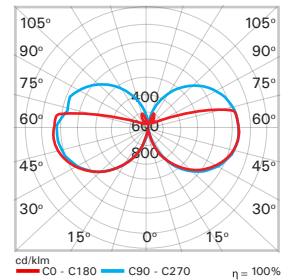
Emergency Kit	None
DALI Compatibility	Yes



Dimensions (mm)

Ø	h
160	3000

Photometric Data



TOWER BOLARD

GROUND
MOUNTED

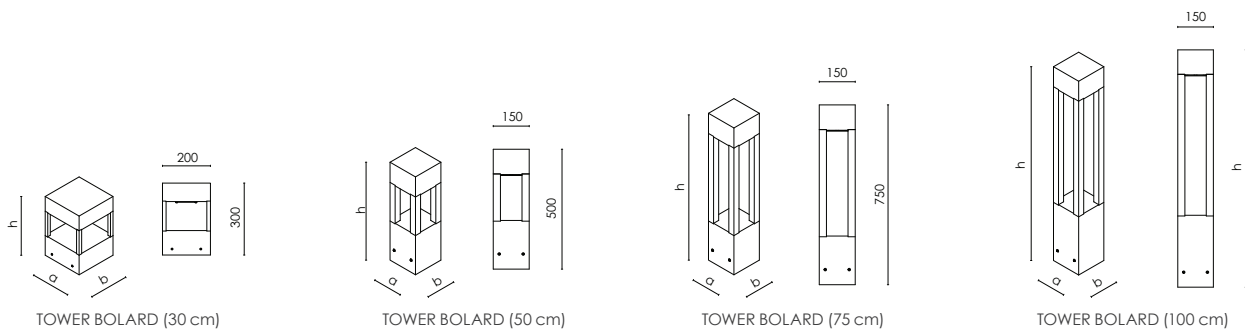


TOWER BOLARD offers excellent lighting performance in terms of visual comfort by providing four-way light distribution in landscaping areas with its durable square frame. Thanks to the special effect it adds to modern architectural structures, it is ideal for outdoor lighting such as gardens, walkways and lawns.

Housing	Aluminium Housing (Chromate Coated)
Optic	4mm Pre Tempered Glass
Light Source	COB LED
Power Consumption	15W
Lumen	789 lm
Input Voltage	220-240V AC 50/60 Hz
Color Temperature	3000K / 4000K / 6500K
CRI	>80
IP (Housing)	IP66
Mounting Type	Ground Mounted
Housing Colour	RAL 7016

Options

Emergency Kit	None
DALI Compatibility	Yes



Dimensions (mm)

Product	a	b	h
30 cm	200	200	300
50 cm	150	150	500
75 cm	150	150	750
100 cm	150	150	1000

TOWER ■

GROUND
MOUNTED

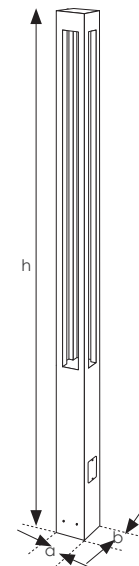


TOWER POLE provides superior lighting performance in terms of visual comfort by offering four-way light distribution in landscaping areas with its durable square frame. Thanks to the special effect it adds to modern architectural structures, it is ideal for outdoor lighting such as gardens, walkways and lawns.

Housing	Aluminium Housing (Chromate Coated)
Optic	4mm Pre Tempered Glass / Lens
Light Source	COB LED, SMD LED
Power Consumption	20W / 35W
Lumen	1052 lm / 4060 lm
Input Voltage	220-240V AC 50/60 Hz
Color Temperature	3000K / 4000K / 6500K
CRI	>80
IP (Housing)	IP66
Mounting Type	Ground Mounted
Housing Colour	RAL 7016

Options

Emergency Kit	None
DALI Compatibility	Yes



Dimensions (mm)

a	h
180 x 180	3000
200 x 200	4000

CARMELO BOLARD

GROUND MOUNTED

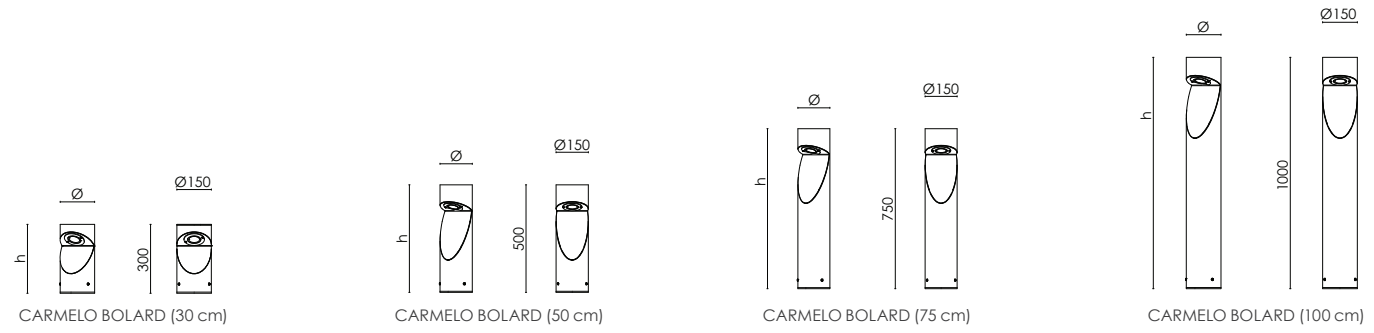


CARMELO BOLARD offers a unique lighting experience by providing forward light distribution in landscaping such as walkways, gardens and lawns. It is ideal for outdoor lighting thanks to the special effect it adds to modern architectural structures.

Housing	Aluminium Housing (Chromate Coated)
Optic	4mm Pre Tempered Glass
Light Source	COB LED
Power Consumption	15W
Lumen	1032 lm
Input Voltage	220-240V AC 50/60 Hz
Color Temperature	3000K / 4000K / 6500K
CRI	>80
IP (Housing)	IP66
Mounting Type	Ground Mounted
Housing Colour	RAL 7016

Options

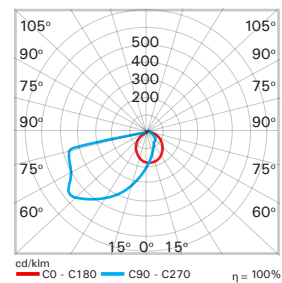
Emergency Kit	None
DALI Compatibility	Yes



Dimensions (mm)

Product	Ø	h
30 cm	150	300
50 cm	150	500
75 cm	150	750
100 cm	150	1000

Photometric Data



CARMELO

GROUND
MOUNTED

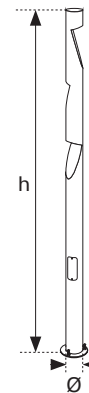


CARMELO POLE offers a unique lighting solution for walkways, gardens and lawns in landscaping with its remarkable design and forward light distribution. It is ideal for outdoor lighting thanks to the special effect it adds to modern architectural structures.

Housing	Aluminium Housing (Chromate Coated)
Optic	4mm Pre Tempered Glass / Lens
Light Source	COB LED, SMD LED
Power Consumption	40W / 60W / 105W
Lumen	3097 lm / 4128 lm / 12180 lm
Input Voltage	220-240V AC 50/60 Hz
Color Temperature	3000K / 4000K / 6500K
CRI	>80
IP (Housing)	IP66
Mounting Type	Ground Mounted
Housing Colour	RAL 7016

Options

Emergency Kit	None
DALI Compatibility	Yes



Dimensions (mm)

h	Ø
3000	160
4000	160
5000	200
6000	200

CITY BOLARD

GROUND MOUNTED

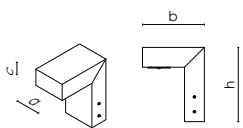


CITY BOLARD is ideal for outdoor lighting such as gardens, walkways and lawns with the special effect it adds to modern architectural structures. It offers a unique lighting experience thanks to its forward light throw in areas requiring landscape design.

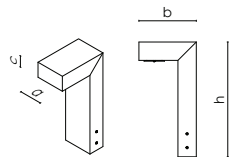
Housing	Aluminium Housing (Chromate Coated)
Optic	4mm Pre Tempered Glass
Light Source	COB LED
Power Consumption	15W
Lumen	994 lm
Input Voltage	220-240V AC 50/60 Hz
Color Temperature	3000K / 4000K / 6500K
CRI	>80
IP (Housing)	IP66
Mounting Type	Ground Mounted
Housing Colour	RAL 7016

Options

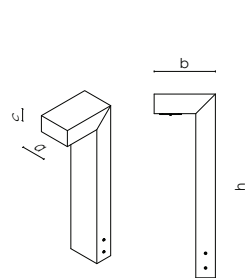
Emergency Kit	None
DALI Compatibility	Yes



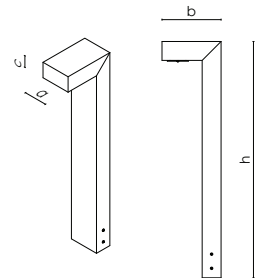
CITY BOLARD (30 cm)



CITY BOLARD (50 cm)



CITY BOLARD (75 cm)

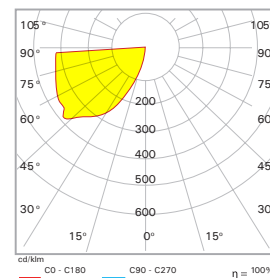


CITY BOLARD (100 cm)

Dimensions (mm)

Product	a	b	c	h
30 cm	150	250	80	300
50 cm	150	250	80	500
75 cm	150	250	80	750
100 cm	150	250	80	1000

Photometric Data



CITY L



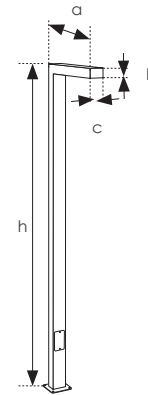
GROUND MOUNTED

With its L-shaped design in harmony with modern architecture, it combines aesthetics, minimalism and functionality in landscaping areas. Thanks to its durable Housing structure and efficient LED technology, it offers an ideal lighting solution for gardens, walkways and lawns.

Housing	Aluminium Housing (Chromate Coated)
Optic	Lens
Light Source	SMD LED
Power Consumption	35W / 70W
Lumen	4060 lm / 8120 lm
Input Voltage	220-240V AC 50/60 Hz
Color Temperature	3000K / 4000K / 6500K
CRI	>80
IP (Housing)	IP66
Mounting Type	Ground Mounted
Housing Colour	RAL 7016

Options

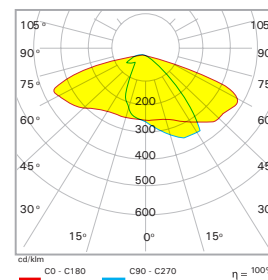
Emergency Kit	None
DALI Compatibility	Yes



Dimensions (mm)

h	a	bxc	Power	Lumen
3000	680	80 x 150	35W	4060
4000	950	100 x 150	35W	4060
4000	950	100 x 150	70W	8120
5000	1100	100 x 150	70W	8120
6000	1100	100 x 200	70W	8120

Photometric Data



CITY APLIK NG

WALL MOUNTED



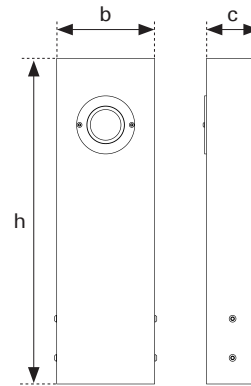
City Aplik NG is a wall-mounted outdoor luminaire developed for façade and landscape lighting applications. Combining functionality with aesthetic appeal, it delivers both decorative and practical illumination, enhancing outdoor spaces with its contemporary and robust design.



Housing	Aluminium Housing (Chromate Coated)
Optic	4mm Pre Tempered Glass
Light Source	COB LED
Power Consumption	15W
Lumen	710 lm
Input Voltage	220-240V AC 50/60 Hz
Color Temperature	4000K
CRI	>80
IP (Housing)	IP66
Mounting Type	Wall Mounted
Housing Colour	RAL 7016

Options

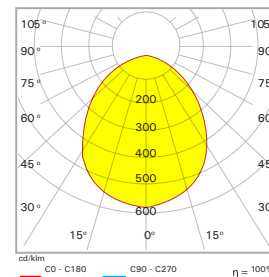
Emergency Kit	None
DALI Compatibility	Yes



Dimensions (mm)

h	b	c
500	150	80

Photometric Data



CITY APLIK

WALL MOUNTED



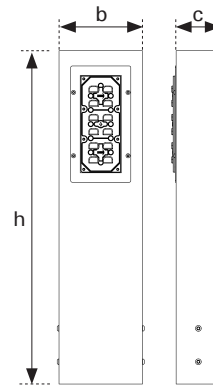
City Aplik is a versatile wall-mounted lighting fixture designed for outdoor use on façades, in gardens, and along pathways. Its simple and elegant form blends seamlessly with various architectural styles while providing effective ambient lighting.



Housing	Aluminium Housing (Chromate Coated)
Optic	Lens
Light Source	SMD LED
Power Consumption	35W / 70W
Lumen	4060 lm / 8120 lm
Input Voltage	220-240V AC 50/60 Hz
Color Temperature	4000K
CRI	>80
IP (Housing)	IP66
Mounting Type	Wall Mounted
Housing Colour	RAL 7016

Options

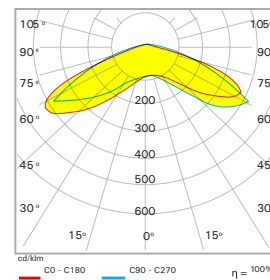
Emergency Kit	None
DALI Compatibility	Yes



Dimensions (mm)

h	b	c
600	150	80

Photometric Data



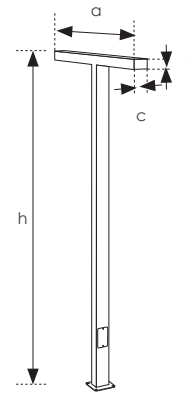


CITY POLE provides optimum lighting in outdoor spaces with its durable Housing structure and efficient LED technology. Specially designed for landscape areas, this product easily integrates with modern architectural designs.

Housing	Aluminium Housing (Chromate Coated)
Optic	Lens
Light Source	SMD LED
Power Consumption	2 x 35W / 2 x 70W
Lumen	8120 lm / 16240 lm
Input Voltage	220-240V AC 50/60 Hz
Color Temperature	3000K / 4000K / 6500K
CRI	>80
IP (Housing)	IP66
Mounting Type	Ground Mounted
Housing Colour	RAL 7016

Options

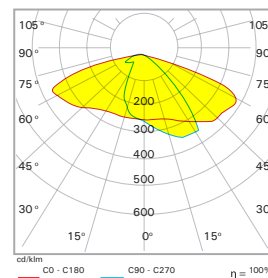
Emergency Kit	None
DALI Compatibility	Yes



Dimensions (mm)

h	a	bxc	Power	Lumen
3000	1280	80 x 150	2 x 35W	8120
4000	1800	100 x 150	2 x 35W	8120
4000	1800	100 x 150	2 x 70W	16240
5000	2100	100 x 200	2 x 70W	16240
6000	2100	100 x 200	2 x 70W	16240

Photometric Data



CITY F

GROUND MOUNTED

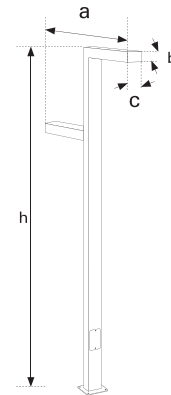


It combines aesthetics, minimalism and functionality in landscaping areas with its F-shaped design in harmony with modern architecture. Thanks to its durable Housing structure and efficient LED technology, it offers an ideal lighting solution for gardens, walkways and lawns.

Housing	Aluminium Housing (Chromate Coated)
Optic	Lens
Light Source	SMD LED
Power Consumption	35W / 70W
Lumen	8210 lm / 12180 lm
Input Voltage	220-240V AC 50/60 Hz
Color Temperature	3000K / 4000K / 6500K
CRI	>80
IP (Housing)	IP66
Mounting Type	Ground Mounted
Housing Colour	RAL 7016

Options

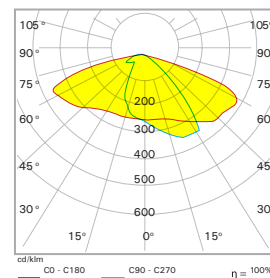
Emergency Kit	None
DALI Compatibility	Yes



Dimensions (mm)

h	a	bxc	Power	Lumen
3000	1280	80 x 150	35W - 35W	8210
4000	1700	100 x 150	35W - 35W	8210
4000	1700	100 x 150	35W - 70W	12180
5000	1850	100 x 150	35W - 70W	12180
6000	1850	100 x 200	35W - 70W	12180

Photometric Data



BRIDGE BOLARD

GROUND MOUNTED

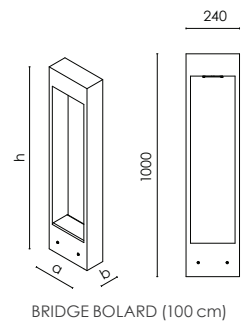
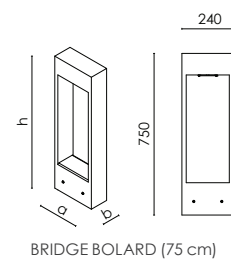
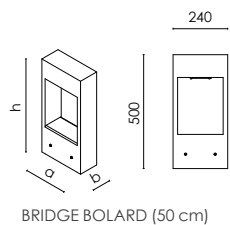
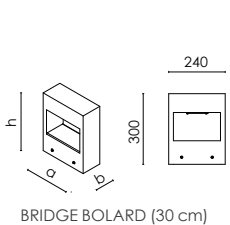


BRIDGE BOLARD offers superior lighting performance in landscape areas with its homogeneous light distribution and rectangular frame design. Compatible with modern architectural structures, it is ideal for outdoor lighting such as gardens, walkways and lawns.

- Housing** Aluminium Housing (Chromate Coated)
- Optic** 4mm Pre Tempered Glass
- Light Source** COB LED
- Power Consumption** 15W
- Lumen** 752 lm
- Input Voltage** 220-240V AC 50/60 Hz
- Color Temperature** 3000K / 4000K / 6500K
- CRI** >80
- IP (Housing)** IP66
- Mounting Type** Ground Mounted
- Housing Colour** RAL 7016

Options

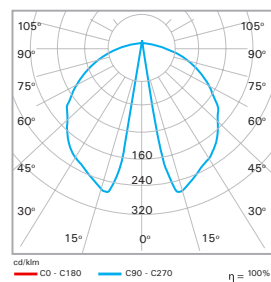
- Emergency Kit** None
- DALI Compatibility** Yes



Dimensions (mm)

Product	a	b	h
30 cm	240	100	300
50 cm	240	100	500
75 cm	240	100	750
100 cm	240	100	1000

Photometric Data



BRIDGE



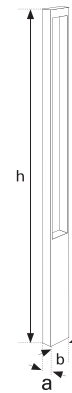
GROUND MOUNTED

BRIDGE POLE carries the atmosphere of landscape areas to a different Length with its rectangular frame and harmonious columns. Thanks to its homogeneous light distribution, it plays an impressive role in ambient lighting.

Housing	Aluminium Housing (Chromate Coated)
Optic	4mm Pre Tempered Glass
Light Source	COB LED / SMD LED
Power Consumption	20W / 35W
Lumen	1003 lm / 4060 lm
Input Voltage	220-240V AC 50/60 Hz
Color Temperature	3000K / 4000K / 6500K
CRI	>80
IP (Housing)	IP66
Mounting Type	Ground Mounted
Housing Colour	RAL 7016

Options

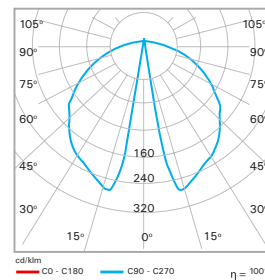
Emergency Kit	None
DALI Compatibility	Yes



Dimensions (mm)

h	axb	Power	Lumen
3000	100 x 240	20W	1003
4000	120 x 340	35W	4060

Photometric Data



PB2

POLE MOUNTED

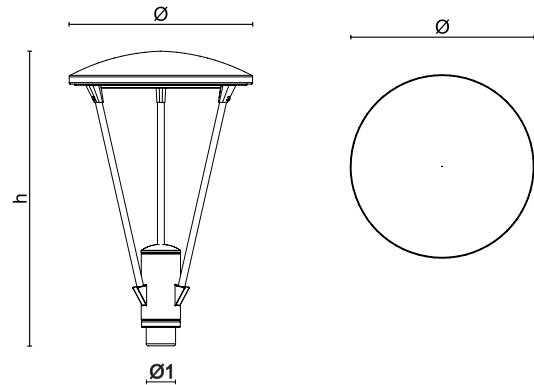


PB2 PB, which appears as a pole-mounted LED luminaire, is an ideal choice for lighting landscape and urban areas with its three-armed round Housing design. In addition to providing full protection against dust and water splashes with IP65 protection class; it provides homogeneous lighting with its Opal Diffuser.

Housing	Aluminium Housing
Optic	Opal Diffuser
Light Source	Mid Power LED
Power Consumption	40W / 60W
Lumen	2952 lm / 3936 lm
Input Voltage	220-240V AC 50/60 Hz
Color Temperature	4000K
CRI	>80
IP (Housing)	IP65
Mounting Type	Ground Mounted
Housing Colour	SW 306G

Options

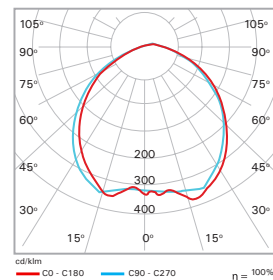
Emergency Kit	None
DIMKO Compatibility	Yes
DALI Compatibility	Yes

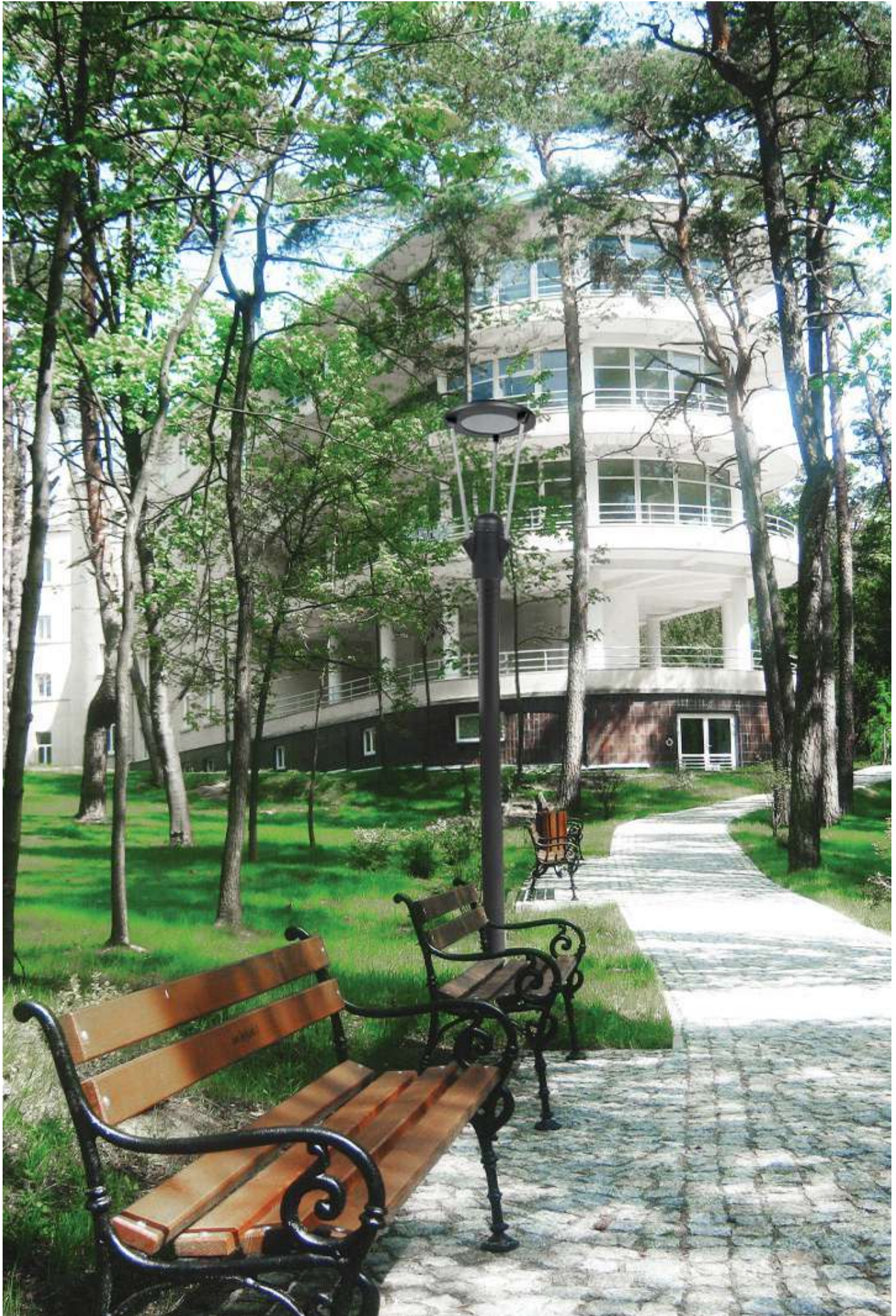


Dimensions (mm)

Ø	h	Ø1
470	895	76

Photometric Data





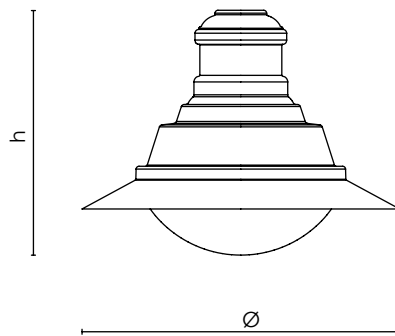


PB2 PB, which appears as a pole-mounted LED luminaire, is an ideal choice for lighting landscape and urban areas with its three-armed round Housing design. In addition to providing full protection against dust and water splashes with IP65 protection class; it provides homogeneous lighting with its Opal Diffuser.

Housing	Aluminium Housing
Optic	Opal Diffuser
Light Source	SMD LED
Power Consumption	60W
Lumen	3000 lm
Input Voltage	220-240V AC 50/60 Hz
Color Temperature	3000K / 4000K
CRI	>70
IP (Housing)	IP65
Mounting Type	Pole Mounted
Housing Colour	Electrostatic Powder Coated (RAL Options)

Options

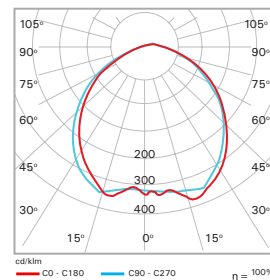
Emergency Kit	Yes
DIMKO Compatibility	Yes
DALI Compatibility	Yes



Dimensions (mm)

Ø	h
547	405

Photometric Data



CITY BOLARD NG

GROUND MOUNTED

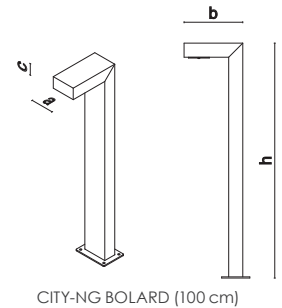
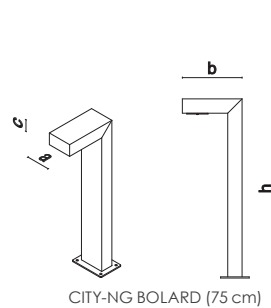
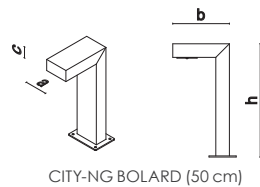
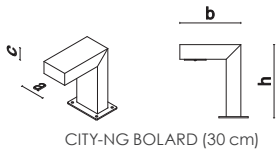


With the special effect it adds to modern architectural structures; It is ideal for outdoor lighting such as gardens, walkways and lawns.

Housing	Aluminium Housing (Chromate Coated)
Optic	4mm Pre Tempered Glass
Light Source	COB LED
Power Consumption	10W
Lumen	663 lm
Input Voltage	220-240V AC 50/60 Hz
Color Temperature	4000K
CRI	>80
IP (Housing)	IP65
Mounting Type	Ground Mounted
Housing Colour	RAL 7016

Options

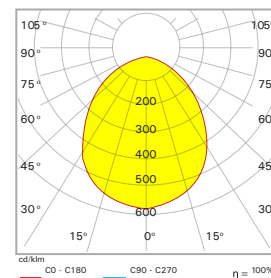
Emergency Kit	None
DALI Compatibility	Yes



Dimensions (mm)

Product	a	b	c	h
30 cm	120	250	60	300
50 cm	120	250	60	500
75 cm	120	250	60	750
100 cm	120	250	60	1000

Photometric Data



TOWER NG

GROUND MOUNTED

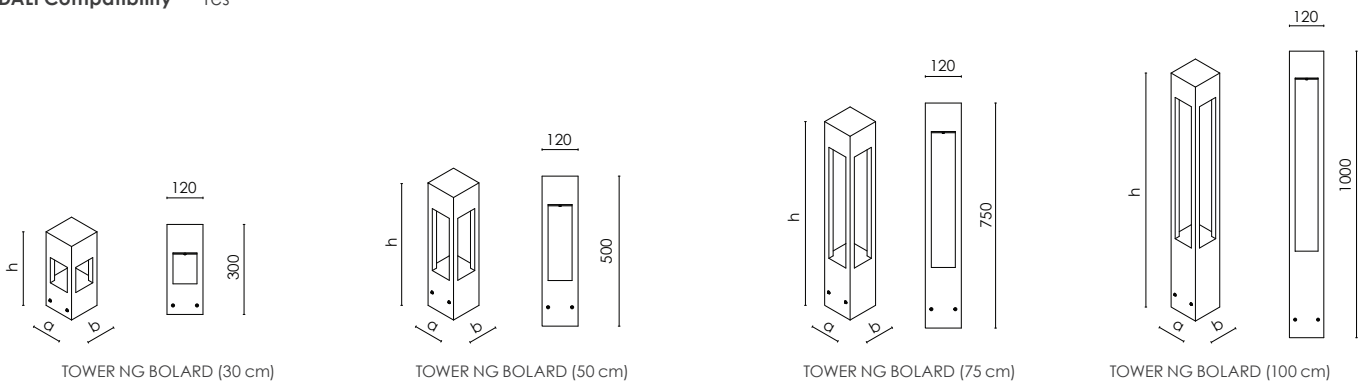


With its durable square frame, TOWER BOLARD NG offers four-way light distribution in landscaping areas, providing excellent lighting performance in terms of visual comfort. Thanks to the special effect it adds to modern architectural structures, it is ideal for outdoor lighting such as gardens, walkways and lawns.

Housing	Aluminium Housing (Chromate Coated)
Optic	4mm Pre Tempered Glass
Light Source	COB LED
Power Consumption	10W
Lumen	527 lm
Input Voltage	220-240V AC 50/60 Hz
Color Temperature	4000K
CRI	>80
IP (Housing)	IP65
Mounting Type	Ground Mounted
Housing Colour	RAL 7016

Options

Emergency Kit	None
DALI Compatibility	Yes



Dimensions (mm)

Product	a	b	h
30 cm	120	120	300
50 cm	120	120	500
75 cm	120	120	750
100 cm	120	120	1000



ARKTOS MINI

POLE
MOUNTED



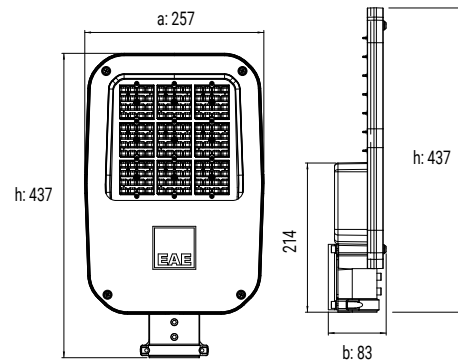
A compact and durable LED luminaire developed for street and area lighting applications. With a power range of 56 W – 120 W and a luminous output of 7,700 lm – 15,500 lm, it delivers reliable performance. Its die-cast aluminum housing, IP66 protection, and IK09 impact resistance ensure long-lasting use in harsh outdoor conditions. The 100° beam angle provides uniform light distribution across wide areas.

Housing	Aluminium Housing
Optic	100° Lens
Light Source	Mid Power LED
Power Consumption	56W / 76W / 92W / 102W / 120W
Lumen	7700 lm / 11000 lm / 13000 lm / 14500 lm / 15500 lm
Input Voltage	220-240V AC 50/60 Hz
Color Temperature	2700K / 3000K / 4000K / 5000K
CRI	>80
IP (Housing)	IP66
Mounting Type	Pole Mounted
Housing Colour	SW306G Smoked Gray

Options

DIMKO Compatibility Yes

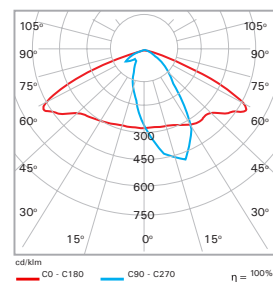
DALI Compatibility Yes



Dimensions (mm)

a	b	h
257	83	437

Photometric Data



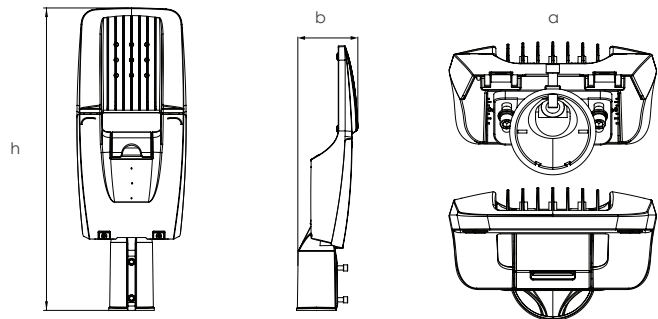


With its durable die-cast aluminum housing and tempered transparent glass, it delivers long lasting and reliable illumination. IP66 protection and IK09 impact resistance provide high durability against harsh environmental conditions. With a wide range of power options and high luminous efficiency, it ensures stable and efficient performance in environments between -20°C and +50°C.

Housing	Aluminium Housing
Optic	100° Lens
Light Source	Mid Power LED
Power Consumption	CN1 41W / 59W CN2 76W / 98W / 114W CN3 132W / 152W / 176W CN4 200W / 226W / 248W
Lumen	CN1 6215 lm / 8530 lm CN2 11873 lm / 14761 lm / 16946 lm CN3 21132 lm / 23834 lm / 27243 lm CN4 30378 lm / 34367 lm / 36619 lm
Input Voltage	220-240V AC 50/60 Hz
Color Temperature	2700K / 3000K / 4000K / 5000K / 5700K / 6500K
CRI	>70 / >80
IP (Housing)	IP66
Mounting Type	Pole Mounted
Housing Colour	SW306G Smoked Gray

Options

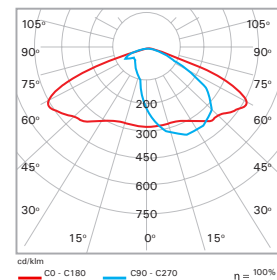
- DIMKO Compatibility** Yes
- DALI Compatibility** Yes



Dimensions (mm)

Product	a	b	h
CN1	180	115	500
CN2	125	250	630
CN3	125	280	700
CN4	125	280	700

Photometric Data



ALBA

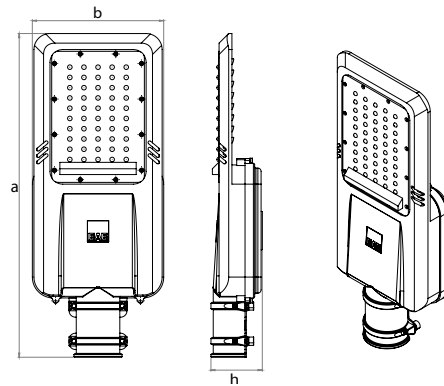
POLE MOUNTED



Designed for the best in street lighting, ALBA allows you to have the energy savings provided by LED technology at affordable costs. ALBA, which will perform best in outdoor conditions, emphasizes the unique texture and beauty of buildings with the right use of light, while offering a lighting experience beyond your expectations.

Housing	Aluminium Housing
Optic	100° Lens
Light Source	Mid Power LED
Power Consumption	30W / 50W / 60W / 80W / 92W
Lumen	5000 lm / 8400 lm / 10000 lm / 12700 lm / 14200 lm
Input Voltage	220-240V AC 50/60 Hz
Color Temperature	4000K / 6500K
CRI	>70
IP (Housing)	IP66
Mounting Type	Pillar
Housing Colour	RAL 7022

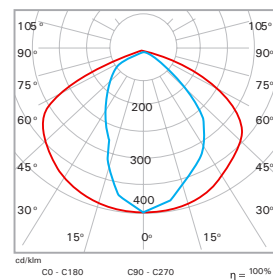
Options
DALI Compatibility Yes



Dimensions (mm)

a	b	h
505	205	74,5
550	230	74,5

Photometric Data

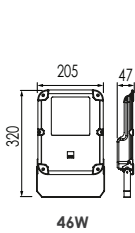




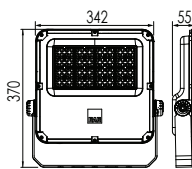
VALERIA offers a solution to the lighting needs of large areas. It has a Powerful structure with IP66 protection class and IK08 impact resistance, so it is ideal for outdoor lighting in long-term use. It has a wide range of applications from sports facilities, airport aprons and port loading areas to tunnels.

- Housing** Aluminium Housing
- Optic** AS / 15° / 20° / 30° / 40° / 60° / 90°
- Light Source** Power LED / Mid Power LED
- Power Consumption** 46W / 100W / 144W / 193W / 292W
- Lumen** 5730 lm / 13398 lm / 18832 lm / 25524 lm / 37938 lm
- Input Voltage** 220-240V AC 50/60Hz
- Color Temperature** 3000K / 4000K / 5000K / 5700K / 6500K
- CRI** >70
- IP (Housing)** IP66
- Mounting Type** Auto Road / Pole / Floor
- Housing Colour** RAL 9005

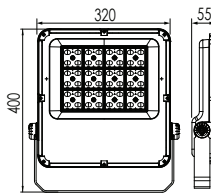
- Options**
- Emergency Kit** Yes (1-3 Hours)
- DALI Compatibility** Yes
- Driver** On / Off - DALI



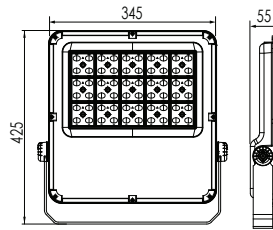
46W



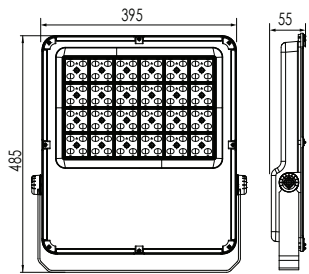
100W



144W



193W

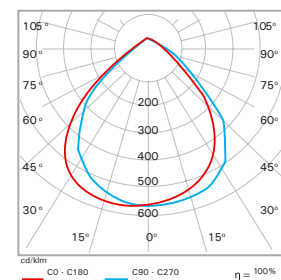


292W

Dimensions (mm)

Power	a	b	h
50W	320	205	47
100W	370	342	55
150W	400	320	55
200W	425	345	55
300W	485	395	55

Photometric Data



D-BAR

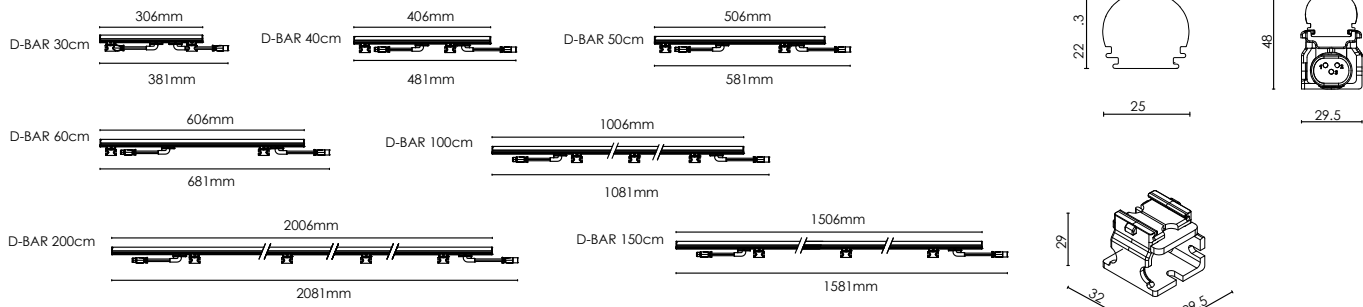
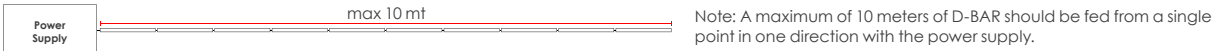


With D-BAR, which is included in IP66 protection class, you can give effective contour effect especially in linear facade lighting. Offering easy and trouble-free installation options with its IP sockets, D-BAR provides a wide range of usage advantages to its users by being used as concealed lighting on railings, step lighting or decorative landscape objects such as sitting benches.

- Housing** UV Protected Polycarbonate / Gray
- Optic** 126° UV Protected Polycarbonate
- Light Source** SMD LED
- Power Consumption** 3W / 4W / 5W / 6W / 10W / 15W / 20W
- Lumen** 155 lm / 206 lm / 258 lm / 310 lm / 517 lm / 775 lm / 1034 lm
- Input Voltage** 220-240V AC 50/60 Hz
- Color Temperature** 4000K
- CRI** >80
- IP (Housing)** IP66
- Mounting Type** Cove
- Housing Colour** Polycarbonate / Gray

Options

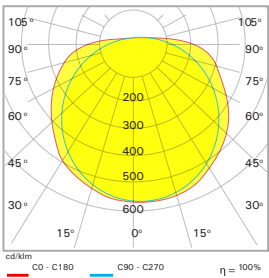
- Emergency Kit** Yes (1-3 Hours, External)
- Driver** On / Off - DALI (External)
- DALI Compatibility** Yes



Dimensions (mm)

Product	a	b	h
30 cm (3W)	295	300	48
40 cm (4W)	295	400	48
50 cm (5W)	295	500	48
60 cm (6W)	295	600	48
100 cm (10W)	295	1000	48
150 cm (15W)	295	1500	48
200 cm (20W)	295	2000	48

Photometric Data



CENTRO IP65

RECESSED
MOUNTED

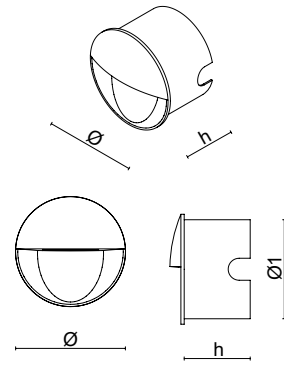


CENTRO, which can easily integrate with light intensity, color and designs, can be used in places such as walkways and steps to achieve impressive designs with different techniques in landscape lighting.

Housing	Aluminium Housing
Optic	Opal Glass
Light Source	SMD LED
Power Consumption	4W
Lumen	118 lm
Input Voltage	220-240V AC 50/60 Hz
Color Temperature	2700K / 3000K / 4000K / 6500K
CRI	>80
IP (Housing)	IP65
Mounting Type	Recessed Mounted
Housing Colour	RAL 9005 / RAL 9006 / RAL 9016

Options

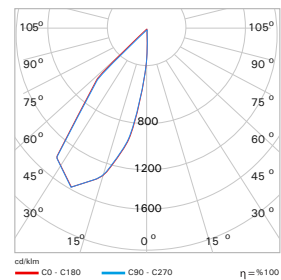
Emergency Kit	None
DALI Compatibility	None



Dimensions (mm)

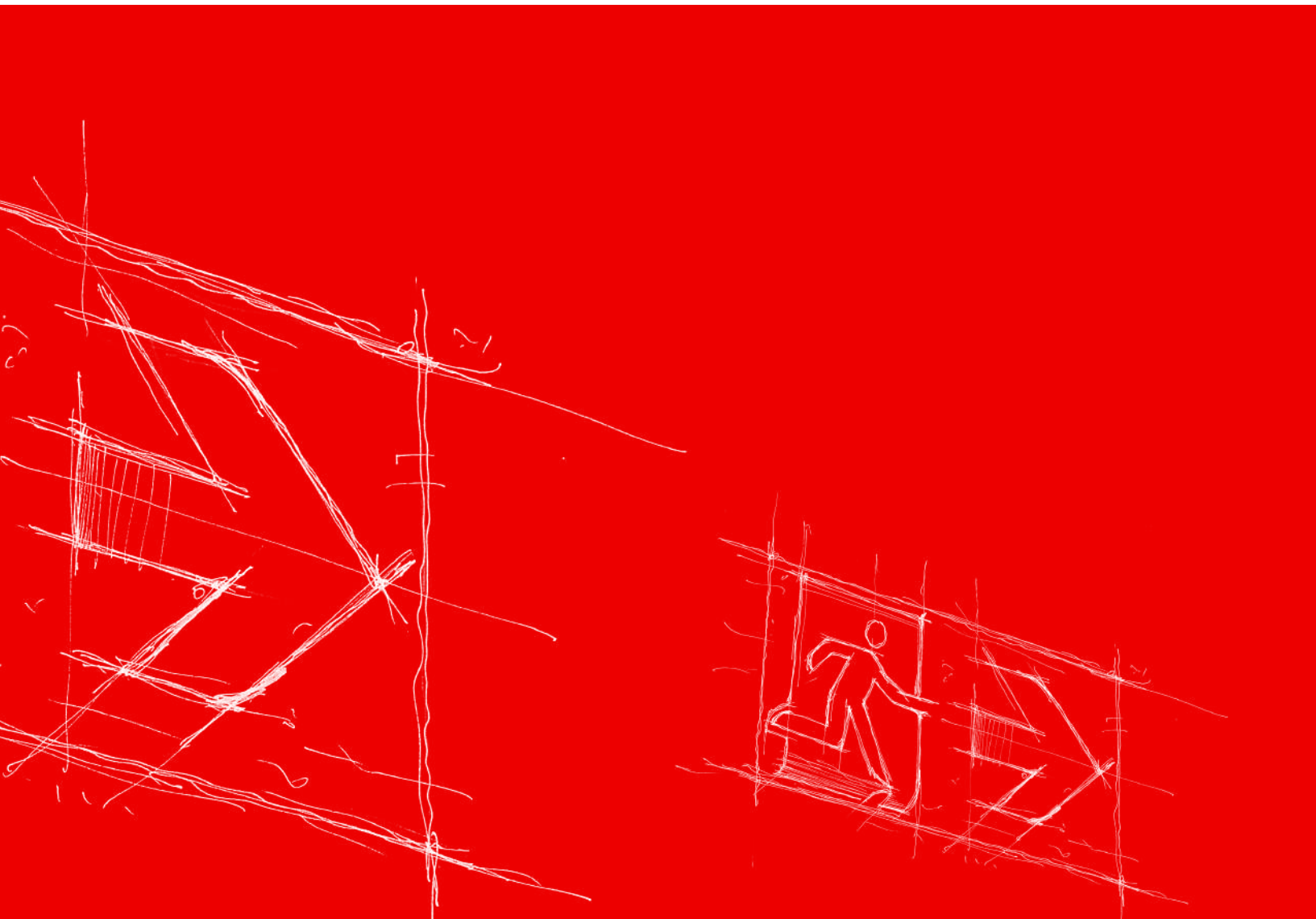
Ø	Ø1	h
100	90	60

Photometric Data









Emergency Lighting Luminaires

EXIT MINOLITE

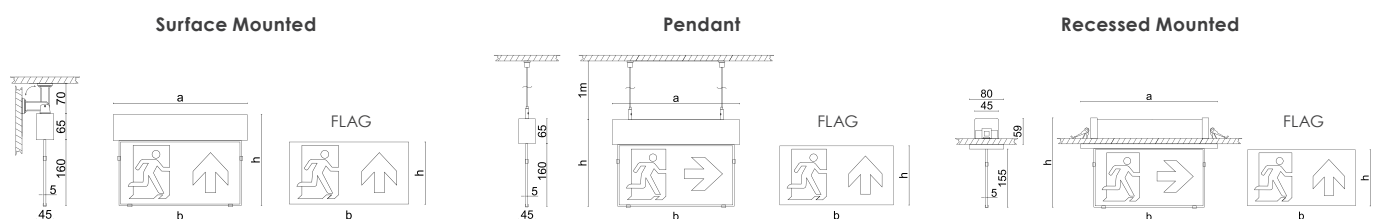


MINOLITE, which comes in three forms as Surface Mounted, Pendant and Recessed Mounted, is an emergency escape guidance and emergency lighting fixture. Thanks to its multi-functional structure; It is used for emergency guidance in educational institutions, shopping centers, hotels and fire exit doors.

Housing	White Polycarbonate Housing
Light Source	Mid Power LED
Power Consumption	4W
Input Voltage	220-240V AC 50/60 Hz
Color Temperature	6500K
CRI	>70
IP (Grade)	IP40
Installation	Surface Mounted / Pendant / Recessed Mounted
Run Mode	Maintained
Emergency Kit	1 - 3 Hours (Li-FePO4 Battery)

Options

Run Mode	Not Maintained
DALI Compatibility	Traceable DALI Kit (Li-FePO4 Battery)



Dimensions (mm)

Surface Mounted				Pendant			
Tip	a	b	h	Tip	a	b	h
Standard	330	310	225	Standard	334	310	225
Bayrak		300	150	Bayrak		300	150

Recessed Mounted				Ceiling Cut-Out Dimensions	
Tip	a	b	h	365 x 62 mm	
Standard	334	310	225		
Bayrak		300	150		

Standard Box Contents

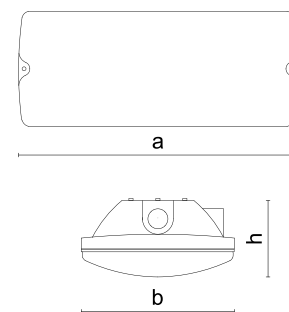


EXIT ELOTTI MAXI



ELOTTI MAXI; With IP65 protection class, it is suitable for use in humid volumes. It can be used as an emergency escape directional luminaire with single face and double face directional plate versions. It exhibits excellent performance by providing lighting from 1 hour to 3 hours in possible interruptions.

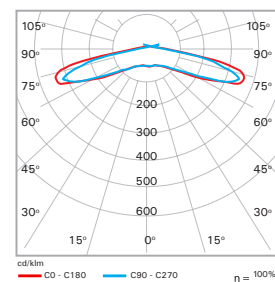
Housing	PC Housing
Light Source	Mid Power LED
Power Consumption	3W
Lumen	252 lm
Input Voltage	220-240V AC 50/60 Hz
Color Temperature	6500K
CRI	>70
IP (Grade)	IP65
Installation	Surface Mounted / Pendant
Run Mode	Maintained
Emergency Kit	1 - 3 Hours (Li-FePO4 Battery)
Options	
Emergency Kit	Non Maintained
DALI Compatibility	Traceable DALI Kit (Li-FePO4 Battery)



Dimensions (mm)

Type	a	b	h
Standard	360	150	71

Photometric Data



Standard Box Contents



EXIT ELOTTI SLIM

EMERGENCY LIGHTING



ELOTTI SLIM can be used as an emergency escape directional luminaire with single face and double face directional plate versions. It provides illumination from 1 hour to 3 hours in possible outages.

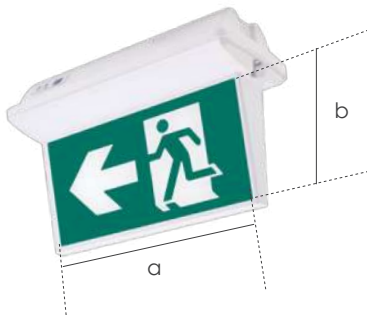
Housing	White Polycarbonate Housing
Light Source	Mid Power LED
Power Consumption	3W
Lumen	237 lm
Input Voltage	220-240V AC 50/60 Hz
Color Temperature	6500K
CRI	>80
IP (Grade)	IP65
Installation	Surface Mounted / Pendant
Run Mode	Maintained
Emergency Kit	1 - 3 Hours (Li-FePO4 Battery)

Options

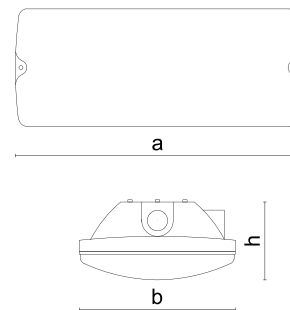
Run Mode	Non Maintained
DALI Compatibility	Traceable DALI Kit (Li-FePO4 Battery)



Flag



Standard

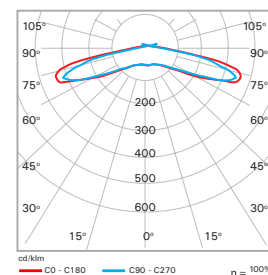


Dimensions (mm)

Tip	a	b
Bayrak	235	120

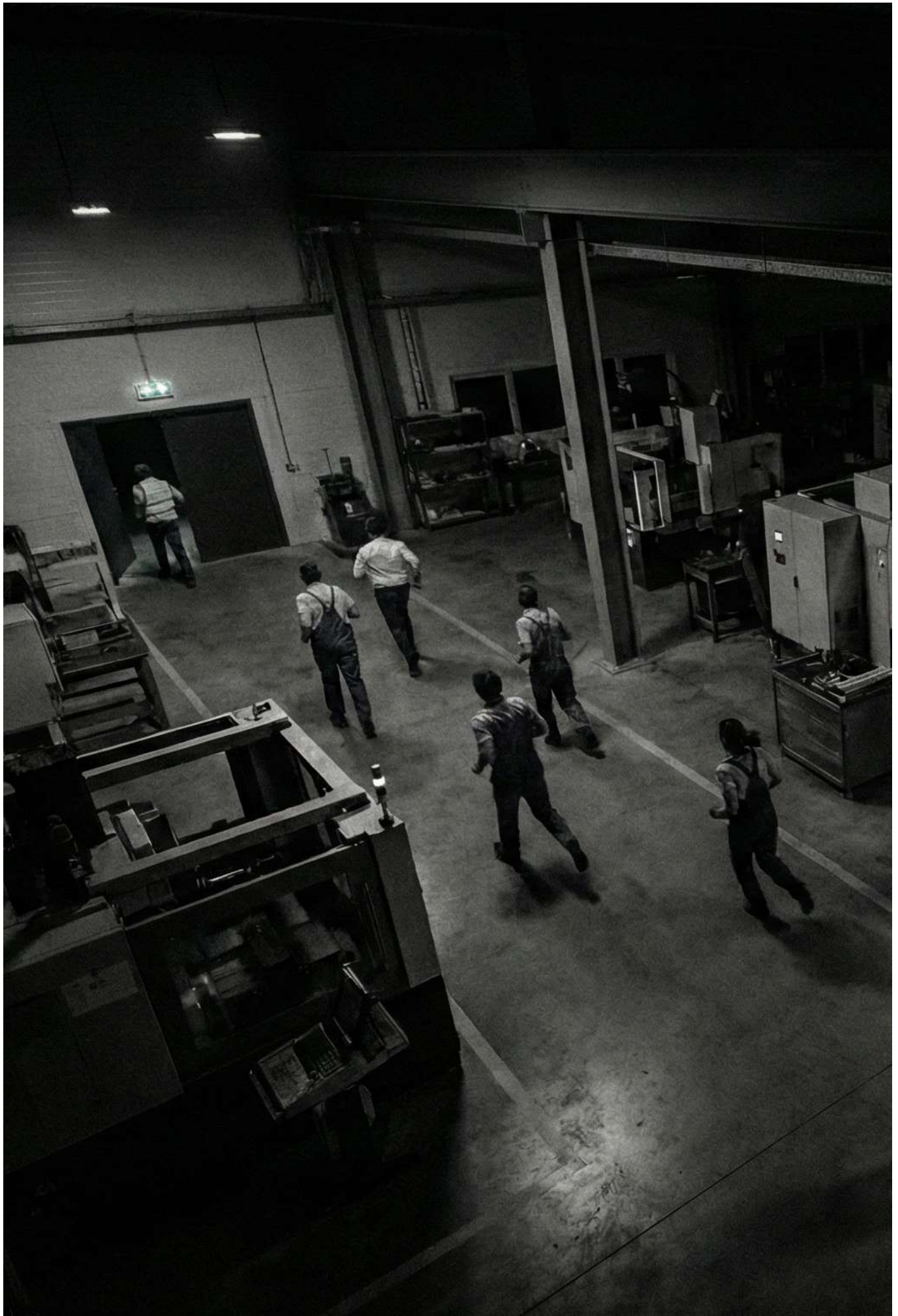
Tip	a	b	h
Standard	285	130	71

Photometric Data



Standard Box Contents





EXIT TORSECA

EMERGENCY LIGHTING



With its functional structure, TORSECA is suitable for use in areas such as hospitals, educational institutions, dining halls and hotels. With its IP65 protection class, it shows excellent performance in humid volumes.

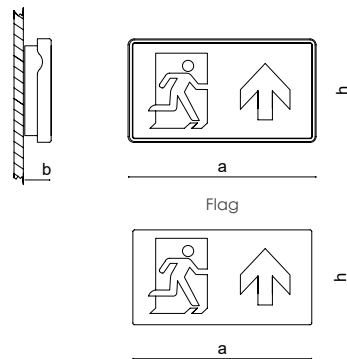
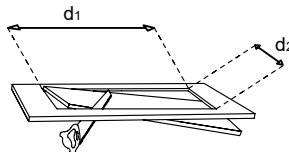
Housing	ABS Housing
Light Source	Mid Power LED
Power Consumption	2W
Lumen	240 lm
Input Voltage	220-240V AC 50/60 Hz
Color Temperature	6500K
CRI	>70
IP (Grade)	IP65
Installation	Surface Mounted / Recessed Mounted / Pendant
Run Mode	Maintained
Emergency Kit	Ni-CD

Options

Run Mode	Non Maintained
DALI Compatibility	Traceable DALI Kit (Li-FePO4 Battery)



TORSECA DOUBLE SIDED DIRECTIONAL SIGN

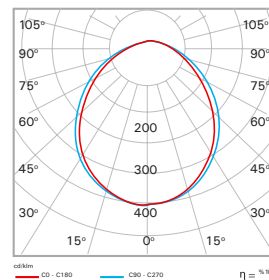


Dimensions (mm)

Type	a	b	Plexi Thickness
Board	250	150	3

Tip	a	b	h	Flag Sticker Size	Ceiling Cut-Out Dimensions (Recessed Mounted Kullanim)
Standard	266	144	41	248 x 124	253 x 128

Photometric Data



Standard Box Contents



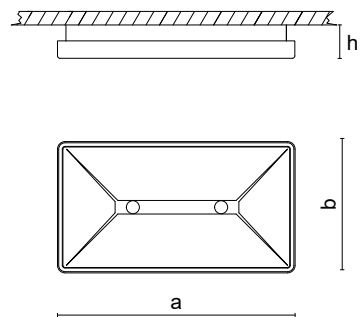
EXIT TORSECA HL

EMERGENCY LIGHTING



TORSECA HL is a durable and energy efficient emergency lighting fixture that provides high visibility with IP65 protection.

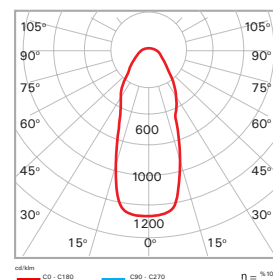
Housing	ABS Housing
Optic	Lens
Light Source	Power LED
Power Consumption	4W
Lumen	598 lm
Input Voltage	220-240V AC 50/60 Hz
Color Temperature	6500K
CRI	>70
IP (Grade)	IP65
Installation	Surface Mounted / Pendant
Run Mode	Non Maintained
Emergency Kit	Ni-CD
Options	
Run Mode	Maintained
DALI Compatibility	Traceable DALI Kit (Li-FePO4 Battery)



Dimensions (mm)

a	b	h	Ceiling Cut-Out Dimensions (Recessed Mounted)
266	144	41	253 x 128

Photometric Data

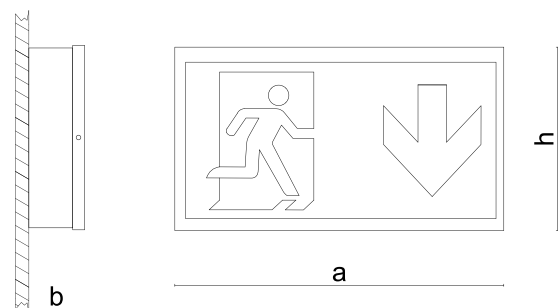


EXIT PLEK MINI/MIDI/MAXI TY



PLEK is an emergency lighting and escape lighting available in three different forms as MINI, MIDI, MAXI. In addition to being able to be used as single face, duYesa mounted; optional mounting accessories can be added to each Length, allowing various ceiling applications.

Housing	Sheet Steel Casing
Light Source	Mid Power LED
Optic	Opal Plexiglass
Power Consumption	3W / 8W
Input Voltage	220-240V AC 50/60 Hz
Color Temperature	6500K
CRI	>70
IP (Grade)	IP20
Installation	Surface Mounted
Run Mode	Ni-CD
Options	
Run Mode	Non Maintained
DALI Compatibility	Traceable DALI Kit (Li-FePO4 Battery)



Dimensions (mm)

	a	b	h
Mini			
Standard	325	50	180
Flag	315		155
Midi			
Standard	420	55	220
Flag	408		208
Maxi			
Standard	610	55	400
Flag	608		398

Standard Box Contents

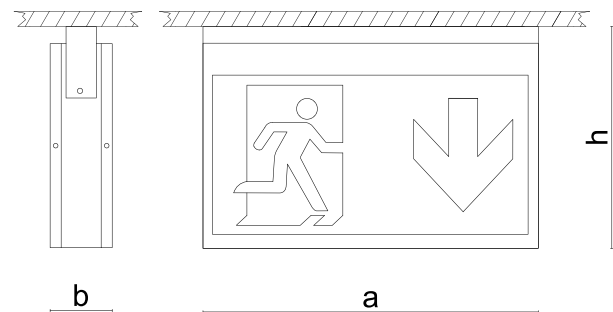


EXIT PLEK MINI/MIDI/MAXI CY



PLEK is an emergency lighting and escape lighting available in three different forms as MINI, MIDI, MAXI. Mounting accessories can be added to each length as double-sided, enabling various ceiling applications.

Housing	Sheet Steel Casing
Light Source	Mid Power LED
Kapak	Opal Plexiglass
Power Consumption	3W / 8W
Input Voltage	220-240V AC 50/60 Hz
Color Temperature	6500K
CRI	>70
IP (Grade)	IP20
Installation	Surface Mounted / Pendant
Run Mode	Maintained
Emergency Kit	Ni-CD
Options	
Run Mode	Non Maintained
DALI Compatibility	Traceable DALI Kit (Li-FePO4 Battery)



Dimensions (mm)

Mini	a	b	h
Standard	325	220	55
Flag	315	155	

Midi	a	b	h
Standard	420	250	55
Flag	408	208	

Maxi	a	b	h
Standard	610	420	60
Flag	608	398	

Standard Box Contents



EXIT ROBITO NG

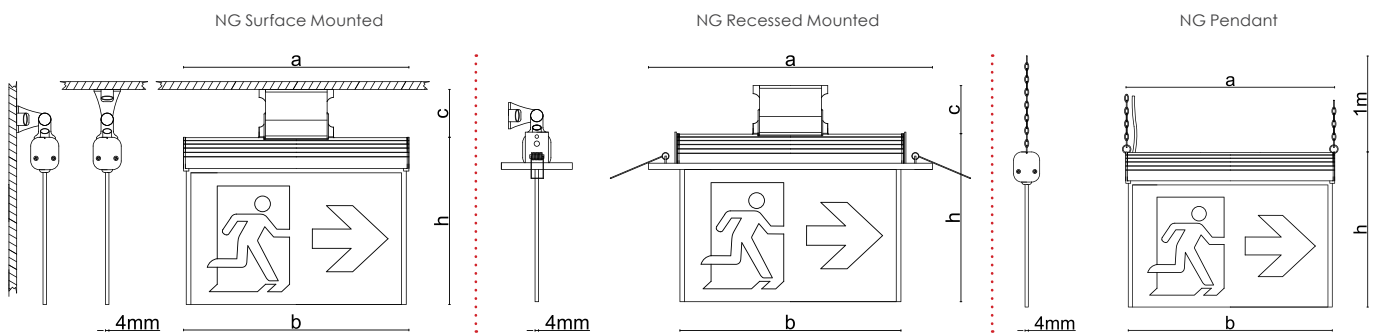
EMERGENCY LIGHTING



Equipped with advanced LED technology, EXIT ROBITO NG shows excellent performance in possible situations with its low energy consumption. In addition to being used in a wide range of areas from fire exits to emergency evacuation routes; it also offers easy installation with its Surface Mounted design.

Housing	ABS Body
Optic	Mid Power LED
Power Consumption	2W
Input Voltage	220-240V AC 50/60 Hz
Color Temperature	6500K
CRI	>70
IP (Grade)	IP20
Installation	Surface Mounted / Pendant / Recessed Mounted
Run Mode	Maintained
Emergency Kit	Ni-CD

Options	
Run Mode	Non Maintained
DALI Compatibility	No



Dimensions (mm)

Surface Mounted	a	h	b	c
Standard	258	190	250	55
Flag	240	150		

Pendant	a	h	b
Standard	258	190	250
Flag	240	150	

Recessed Mounted	a	h	b	c
Standard	320	190	250	55
Flag	240	150		



EXIT ROBITO

EMERGENCY LIGHTING

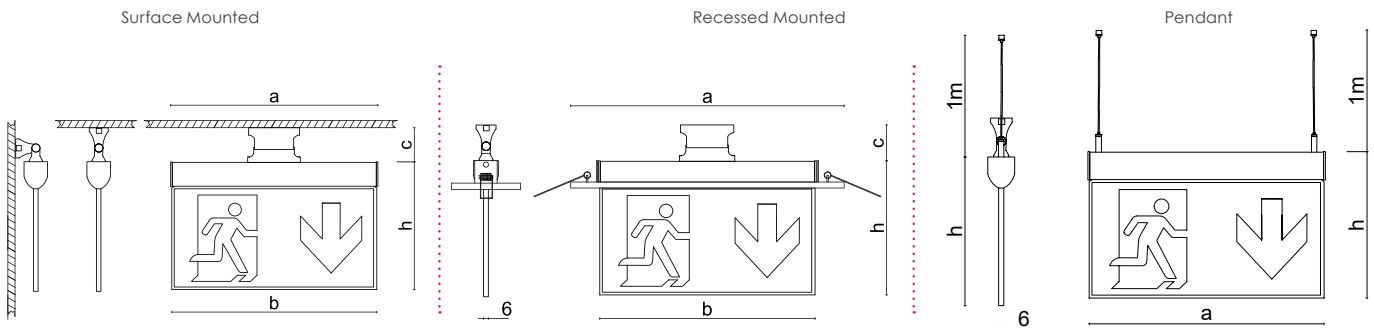


EXIT ROBITO, which has aluminum extrusion housing, offers a versatile solution for emergency lighting and escape lighting without compromising its durability; It makes it possible to illuminate from 1 hour to 3 hours in possible outage situations. EXIT ROBITO, which can be used with the optional DALI traceable kit option, provides convenience to the user.



Housing	Aluminum Extrusion Housing
Light Source	Mid Power LED
Power Consumption	2W
Input Voltage	220-240V AC 50/60 Hz
Color Temperature	6500K
CRI	>70
IP (Grade)	IP20
Installation	Surface Mounted / Pendant / Recessed Mounted
Run Mode	Maintained
Emergency	Ni-CD

Options	
Run Mode	Non Maintained
DALI Compatibility	Traceable DALI Kit (Li-FePO4 Battery)



Dimensions (mm)

Surface Mounted	a	h	b	c
Standard	305	205	300	50
Flag		150	290	

Pendant	a	h	b
Standard	305	205	300
Flag		150	290

Recessed Mounted	a	h	b	c
Standard	380	205	300	50
Flag		150	290	



EXIT MATE

EMERGENCY LIGHTING



Equipped with advanced LED technology, EXIT MATE delivers excellent performance in emergency situations with low energy consumption. It can be used in a wide range of areas, from fire exits to emergency evacuation routes, and offers various mounting options.

Housing	Polycarbonate Body
Optic	Acrylic Plexiglass
Light Source	Mid Power LED
Power Consumption	2W
Input Voltage	220–240 V AC
Color Temperature	6500K
CRI	>70
IP Grade	IP20
Mounting Type	Recessed Mounted / Surface Mounted / Pendant
Run Mode	Maintained
Emergency Kit	Ni-CD

Options

DALI Compatibility	No
Run Mode	Non-Maintained



Dimensions (mm)

Surface Mounted	a	h	b	c
Standard	258	190	250	55
Flag	240	150		

Pendant	a	h	b
Standard	258	190	250
Flag	240	150	

Recessed Mounted	a	h	b	c
Standard	320	190	250	55
Flag	240	150		



WALD NG YV

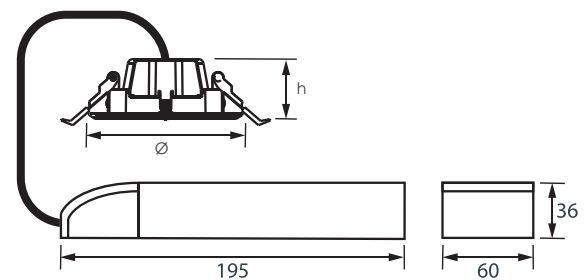
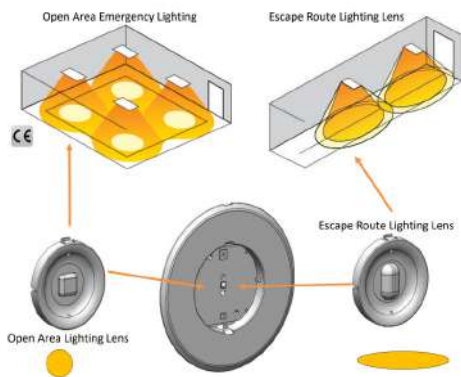


Used as emergency and escape lighting, WALD NG YV has highly efficient LEDs and offers easy control to the user. It has two different lens options, clear and elliptical, and the lenses can be easily changed wherever it is positioned.

Housing	White Polycarbonate Housing
Optic	Power LED
Power Consumption	2W
Lumen	150 lm
Input Voltage	220-240V AC 50/60 Hz
Color Temperature	6500K
CRI	>80
IP (Grade)	IP20
Installation	Recessed Mounted
Run Mode	Non Maintained
Emergency Kit	1 - 3 Hours (Li-FePO4 Battery)

Options

Run Mode	Maintained
DALI Compatibility	Traceable DALI Kit-(Li-FePO4 Battery)

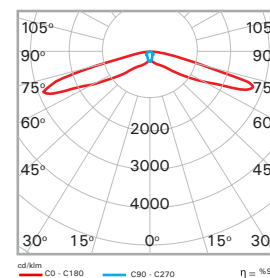


Dimensions (mm)

Ø	h	Ceiling Cut-Out Dimensions (Ø)
90	36	70

Note: The product comes with an elliptical lens. If a circular lens is required, it must be specified in the order.

Photometric Data

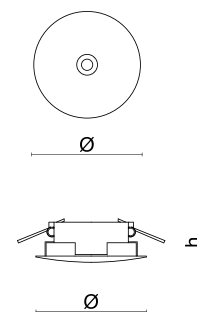
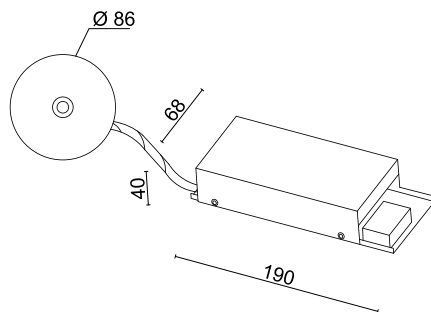




Used as emergency and escape lighting, RIGNA has high efficiency LEDs and offers control to the user. RIGNA has a round lens and its lenses can be easily replaced wherever it is positioned.

Housing	ABS Housing
Optic	Power LED
Power Consumption	2W
Lumen	145.5 lm
Input Voltage	220-240V AC 50/60 Hz
Color Temperature	6500K
CRI	>80
IP (Housing)	IP20
Installation	Recessed Mounted
Run Mode	Non Maintained
Emergency Kit	1 - 3 Hours (Li-FePO4 Battery)

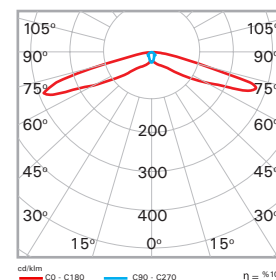
Options	
Run Mode	Maintained
DALI Compatibility	Traceable DALI Kit-(Li-FePO4 Battery)



Dimensions (mm)

	Ø	h
Standard	86	40
Ceiling Cut-Out Dimensions	76	

Photometric Data



STOLE STD YV

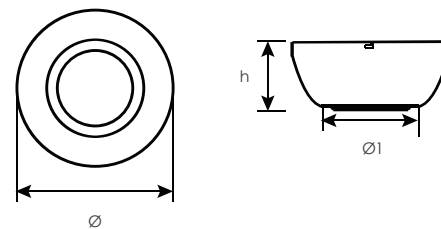
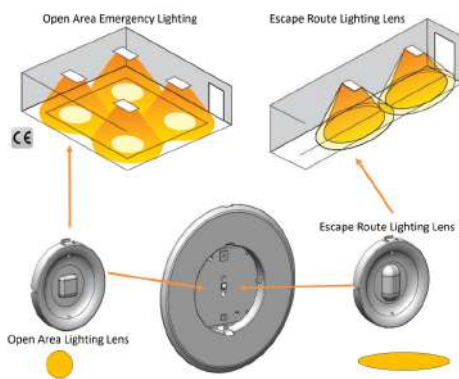


Featuring advanced LED technology, STOLE YV offers easy control to the user. Thanks to its Recessed Mounted design, it saves space in the area where it is used. It has a wide range of usage areas such as stores, offices, hospitals, shopping centers or corridors by providing safe lighting from 1 hour to 3 hours in case of possible interruption.

Housing	White Polycarbonate Housing
Light Source	Power LED
Power Consumption	2W
Lumen	136 lm
Input Voltage	220-240V AC 50/60 Hz
Color Temperature	6500K
CRI	>80
IP (Grade)	IP20
Installation	Surface Mounted
Run Mode	Non Maintained
Emergency Kit	1 - 3 Hours (Li-FePO4 Battery)

Options

Run Mode	Maintained
DALI Compatibility	Traceable DALI Kit (Li-FePO4 Battery)

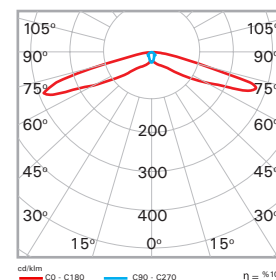


Dimensions (mm)

Mini	Ø	Ø1	h
Standard	140	90	75

Note: The product comes with an elliptical lens. If a circular lens is required, it must be specified in the order.

Photometric Data



TAOLA KR

EMERGENCY LIGHTING



Featuring advanced LED technology, TAOLA KR offers easy control to the user. Thanks to its Recessed Mounted design, it saves space in the area where it is used. It has a wide range of usage areas such as stores, offices, hospitals, shopping centers or corridors by providing safe lighting from 1 hour to 3 hours in case of possible interruption.

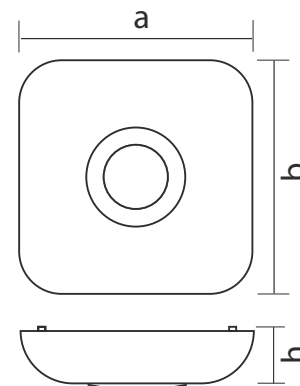
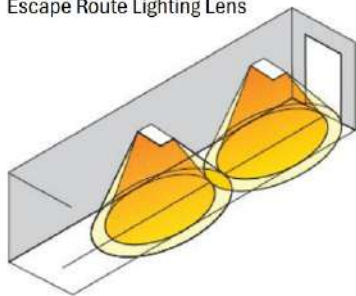
Housing	PC Housing
Light Source	Power LED
Power Consumption	2W
Lumen	136 lm
Input Voltage	220-240V AC 50/60 Hz
Color Temperature	6500K
CRI	>80
IP (Housing)	IP20
Installation	Surface Mounted
Run Mode	Non Maintained
Emergency Kit	1 - 3 Hours (Li-FePO4 Battery)

Options

Run Mode	Maintained
DALI Compatibility	Traceable DALI Kit it-(Li-FePO4 Battery)



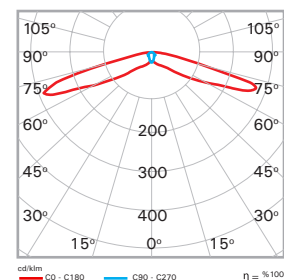
Escape Route Lighting Lens



Dimensions (mm)

Product	a	b	h
Standard	160	160	40

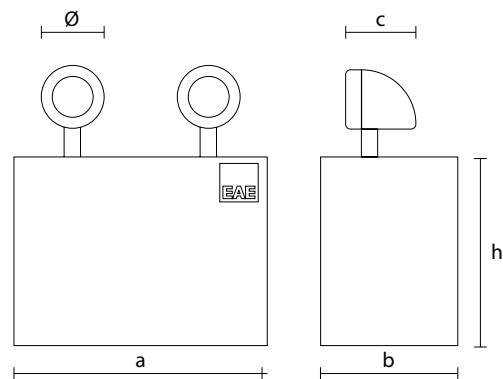
Photometric Data





BINARI stands out as a reliable solution that offers high performance in emergency lighting. Thanks to its ABS housings with IP65 protection class, it provides dust and water resistance and works smoothly even in harsh environmental conditions. BINARI, which is an ideal choice especially for factories, parking lots and industrial areas, illuminates the environment safely by activating in moments of interruption.

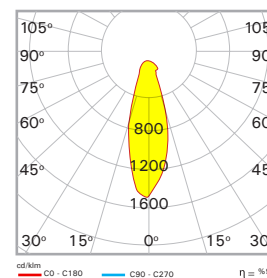
Housing	ABS Housing
Light Source	Power LED
Power Consumption	2 x 9W
Lumen	1396 lm
Input Voltage	220-240V AC 50/60 Hz
Color Temperature	6500K
CRI	>80
IP (Housing)	IP65
Installation	Surface Mounted
Run Mode	Non Maintained



Dimensions (mm)

Product	a	b	c	h
Standard	240	130	65	180

Photometric Data



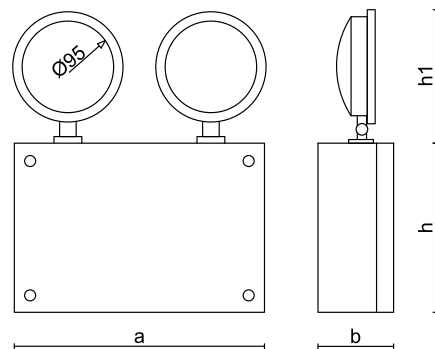


ARIOSTE, which is mostly preferred in parking lots and factories for emergency lighting and escape lighting, can be used reliably in humid volumes with IP65 protection class. In addition to providing lighting from 1 hour to 3 hours in possible outage situations; ARIOSTE, which has a steerable Housing, can be turned to the desired location as needed.

Housing	Thermoplastic Housing
Light Source	Mid Power LED
Power Consumption	5.5W
Lumen	2x750 lm
Input Voltage	220-240V AC 50/60 Hz
Color Temperature	6500K
CRI	>80
IP (Grade)	IP65
Installation	Surface Mounted
Run Mode	Non Maintained

Options

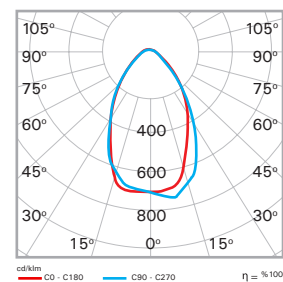
DALI Compatibility Traceable DALI Kit-(Li-FePO4 Battery)



Dimensions (mm)

a	b	h	h1
255	98	200	150

Photometric Data





PONDA

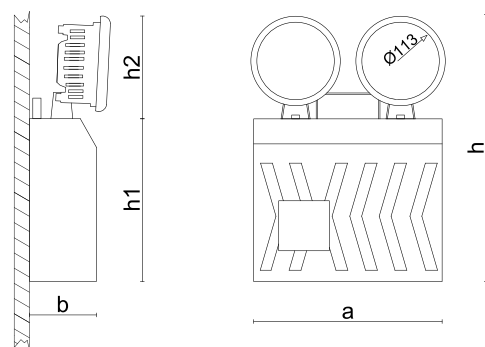


PONDA; stands out as emergency lighting especially in factories and parking lots with its metal durable housings. In addition to providing lighting from 1 hour to 3 hours; it provides protection against dust particles with IP40 protection class. PONDA, which has a steerable housing, can be turned in the desired direction as needed.

Housing	Electrostatic Painted DKP Metal Housing
Light Source	Mid Power LED
Power Consumption	2x9W
Lumen	2x830 lm
Input Voltage	220-240V AC 50/60 Hz
Color Temperature	6500K
CRI	>80
IP (Housing)	IP40
Installation	Surface Mounted
Run Mode	Non Maintained

Options

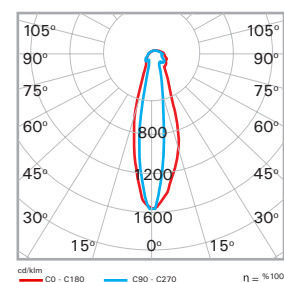
DALI Compatibility	Traceable DALI Kt it-(Li-FePO4 Battery)
Electronic Control	Self / Test



Dimensions (mm)

a	b	h	h1	h2
215	90	330	190	140

Photometric Data



SAVIOR MATE

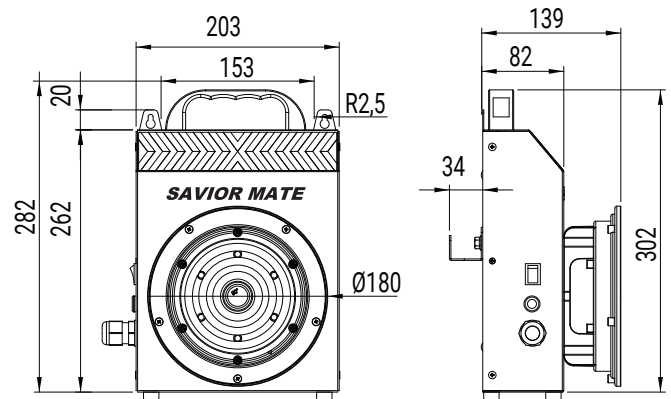


Savior Mate is your reliable solution partner for portable lighting needs. You can either mount it on the wall for surface-mounted use or use its ergonomic design to provide up to 3 hours of uninterrupted lighting. Thanks to its on/off switch, you can use it whenever you need it.

Housing	Aluminium Injection Body / Sheet Metal
Optic	PC Lens
Light Source	Mid Power LED
Power Consumption	4W
Lumen	1622 lm
Input Voltage	220-240V AC 50/60 Hz
Color Temperature	4000K / 6500K
CRI	>80
IP (Housing)	IP40
Mounting Type	Portable / Surface Mounted
Housing Colour	White

Options

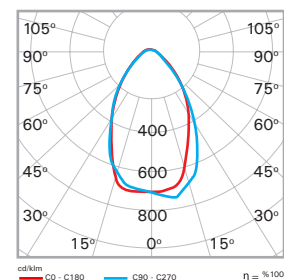
Emergency Duration	3 Hours
Switch	On / Off Button

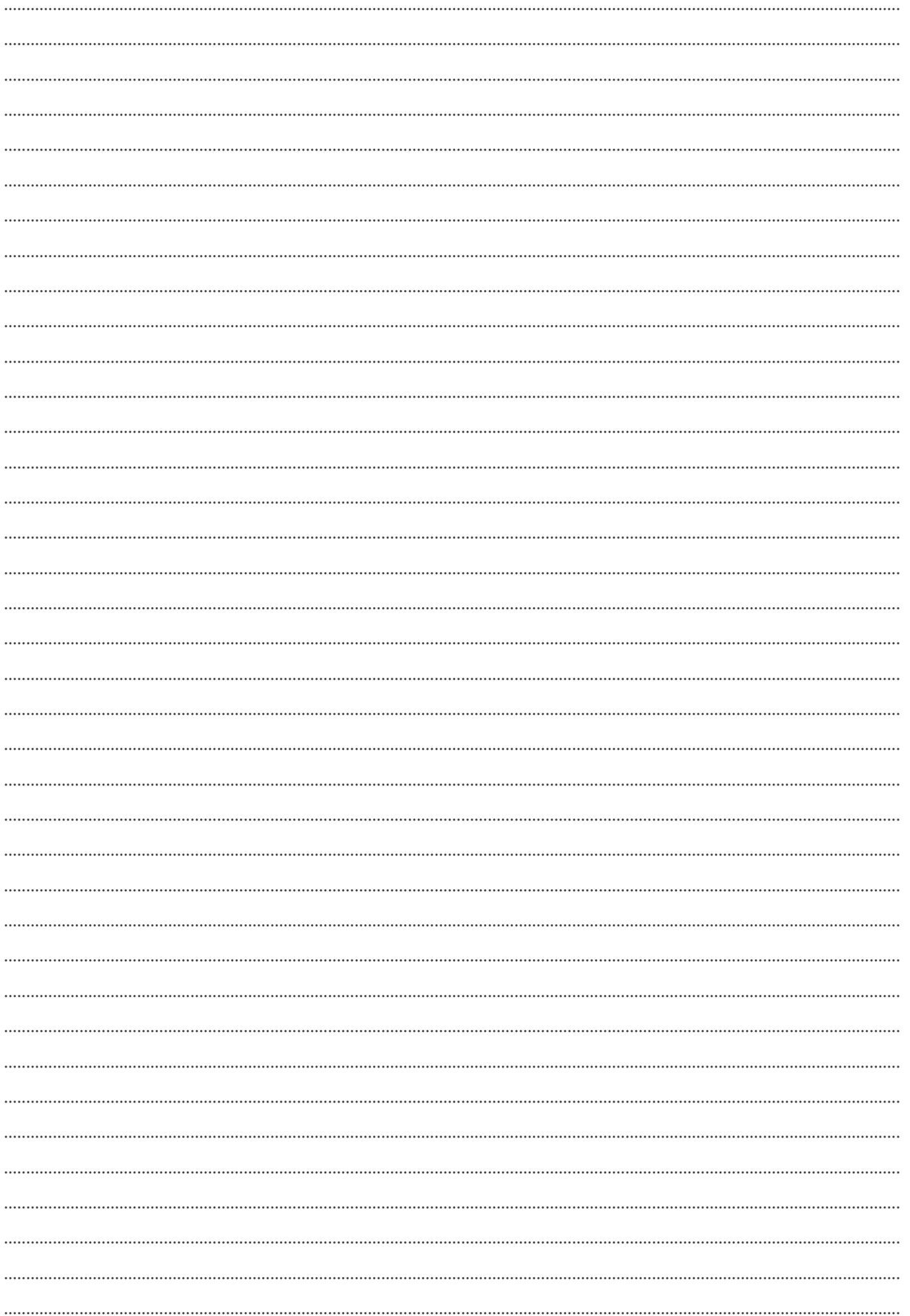


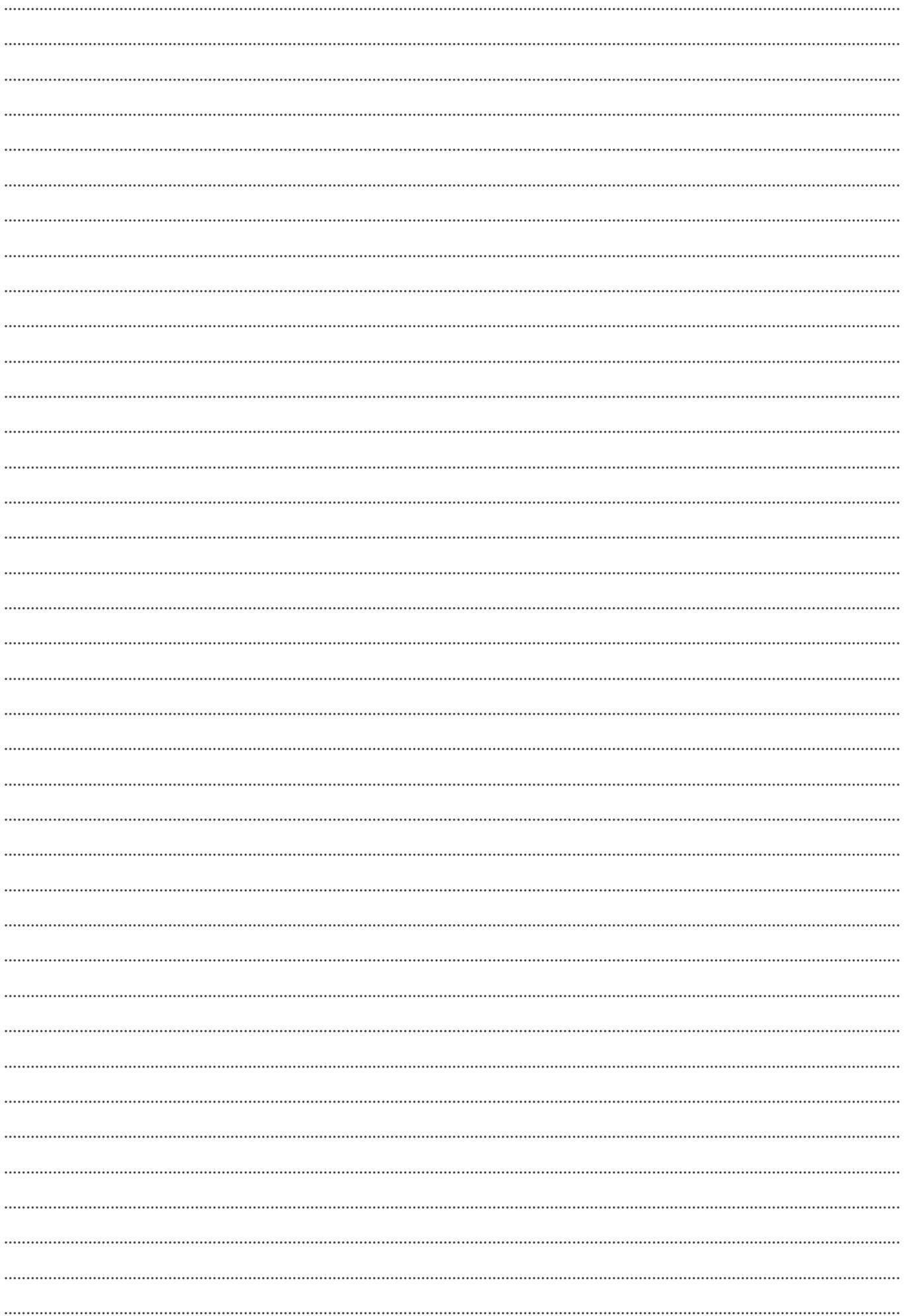
Dimensions (mm)

a	b	h	h1
203	139	282	262

Photometric Data











Scan the
QR code for
all our catalogs.

EAE Lighting
İkitelli OSB Mah. Eski Turgut Özal Cad.
EAE No: 20, İç Kapı No: Giriş Kat
Başakşehir / İSTANBUL - TÜRKİYE

Tel : +90 212 413 21 00 (pbx)
Faks : +90 212 549 37 90

www.eaelighting.com

EAE LIGHTING Architectural Solutions Catalogue (English) - Updated: 01.04.2026

EAE Lighting reserves the right to make changes deemed necessary without prior notice.
Please contact us for more information about the products and details in the catalog.

 **engineering the light** 